



# Trim Tab Actuators STANDARD

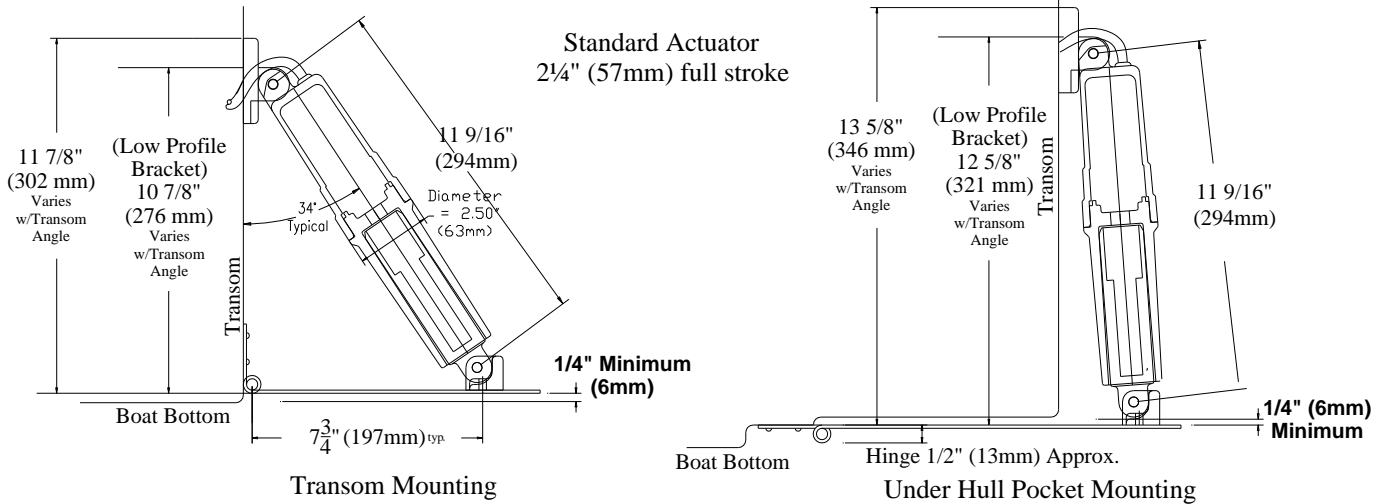


Lectrotab trim tab actuators are precision-engineered to combine quiet operation with a non-hydraulic, maintenance free design. The unit is corrosion free, ensures very accurate tab positioning, provides maximum lift force, and is totally self-contained for easy installation. The actuator assembly is packaged in a non-metallic permanently sealed housing. No components need to be installed inside the boat. Most importantly, unlike hydraulic trim tabs, there is no oil to leak out. The actuator incorporates either a standard or low profile transom mounting bracket. Actuators come in 12 and 24 VDC with 8 second recommended stroke time or 4 second stroke time.

## FEATURES

- Upper ram seal location cannot be damaged due to fouled ram or barnacle growth
- Utilizes internal pressure equalization system
- Upgrades to most popular hydraulic and electromechanical systems
- Internal brake system prevents unwanted tab movement when under way or backing down
- Quiet operation
- All actuators fully load tested to push 1000 lbs of force
- Non-metallic external structure which cannot corrode and will not deteriorate in the sun or under water

# TRIM TAB ACTUATOR MOUNTING DIMENSIONS



## SPECIFICATIONS

Model	DC Voltage	Stroke Length	Stroke Speed	Distance from Bolt to Pin	Vertical Height (Typical Installation Fully Retracted)	Cable Length (Feet/Meter)	Upper Mounting Bracket	Lower Mounting Bracket	Use Actuator w/ Tabs
A	12VDC	2.25"/ 57mm	8 sec.	11.5"/292mm	11.875"/302mm	6'/1.8m	None	None	All Tabs
A-BK	12VDC	2.25"/ 57mm	8 sec.	11.5"/292mm	11.875"/302mm	6'/1.8m	Standard	Standard	All Tabs
A-BK-13	12VDC	2.25"/ 57mm	8 sec.	11.5"/292mm	11.875"/302mm	23'/7m	Standard	Standard	All Tabs
A-BK-24	12VDC	2.25"/ 57mm	8 sec.	11.5"/292mm	11.875"/302mm	28'/8.5m	Standard	Standard	All Tabs
A-BK-25	12VDC	2.25"/ 57mm	8 sec.	11.5"/292mm	10.875"/276mm	6'/1.8m	Low Profile	Standard	All Tabs
A-BK-16	12VDC	2.25"/ 57mm	8 sec.	11.5"/292mm	10.875"/276mm	23'/7m	Low Profile	Standard	All Tabs
B	24VDC	2.25"/ 57mm	8 sec.	11.5"/292mm	11.875"/302mm	6'/1.8m	None	None	All Tabs
B-BK	24VDC	2.25"/ 57mm	8 sec.	11.5"/292mm	11.875"/302mm	6'/1.8m	Standard	Standard	All Tabs
B-BK-13	24VDC	2.25"/ 57mm	8 sec.	11.5"/292mm	11.875"/302mm	23'/7m	Standard	Standard	All Tabs
B-BK-24	24VDC	2.25"/ 57mm	8 sec.	11.5"/292mm	11.875"/302mm	28'/8.5m	Standard	Standard	All Tabs
B-BK-25	24VDC	2.25"/ 57mm	8 sec.	11.5"/292mm	10.875"/276mm	6'/1.8m	Low Profile	Standard	All Tabs
B-BK-16	24VDC	2.25"/ 57mm	8 sec.	11.5"/292mm	10.875"/276mm	23'/7m	Low Profile	Standard	All Tabs

Actuators are also available with a 4 second stroke time. 4 second stroke time model numbers begin with the letter "C" for 12vdc and "D" for 24vdc.

Please note that Lectrotab recommends using the 8 second stroke time for a smoother, more controlled boat response to tab adjustments.

Linear Devices Corporation  
11126 Air Park Road, Suite G, Ashland, VA 23005  
www.lectrotab.com, Ph 804-368-8428, Fax 804-368-8438  
May 2022

**LECTROTAB**