

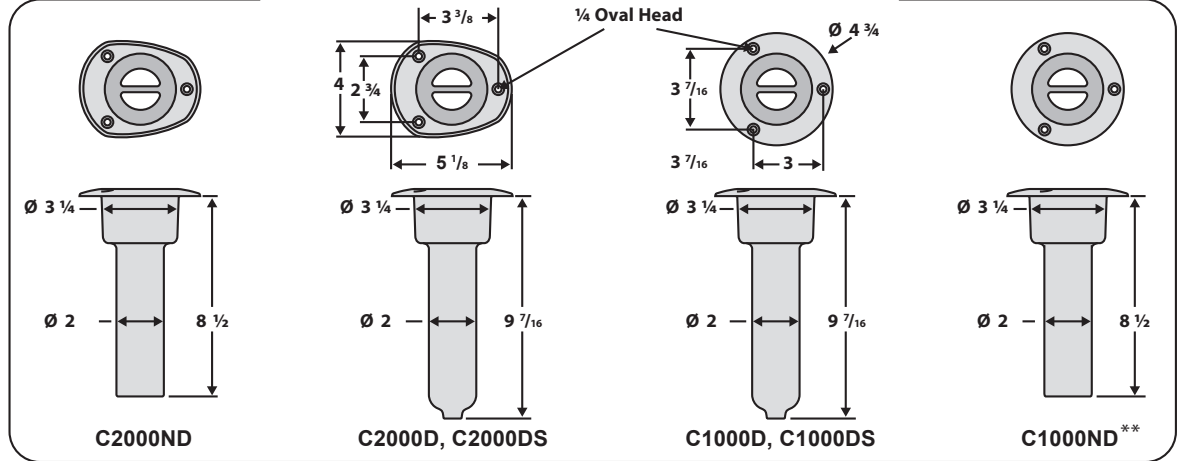
# COMBINATION ROD & CUP HOLDER

CAST 316L STAINLESS STEEL	
STANDARD	
C1030ND 30° Round, Open	C1030D 30° Round, Drain
C1015ND 15° Round, Open	C1015D 15° Round, Drain
C1000ND** 0° Round, Open	C1000D 0° Round, Drain
C2030ND* 30° Oval, Open	C2030D 30° Oval, Drain
C2015ND 15° Oval, Open	C2015D 15° Oval, Drain
C2000ND 0° Oval, Open	C2000D 0° Oval, Drain
ELITE SCREWLESS	
C1030DS 30° Round, Drain	C2030DS 30° Oval, Drain
C1015DS 15° Round, Drain	C2015DS 15° Oval, Drain
C1000DS 0° Round, Drain	C2000DS 0° Oval, Drain
BACKING PLATE	
ONE SIZE FITS ALL	CBP
ABS PLASTIC ROD & CUP HOLDER	
30° Open*	P2030(X) oval black (B) or white (W)
0° Drain**	P1000D(X) round black (B) or white (W)
*/** Same dimensions as stainless steel models above	

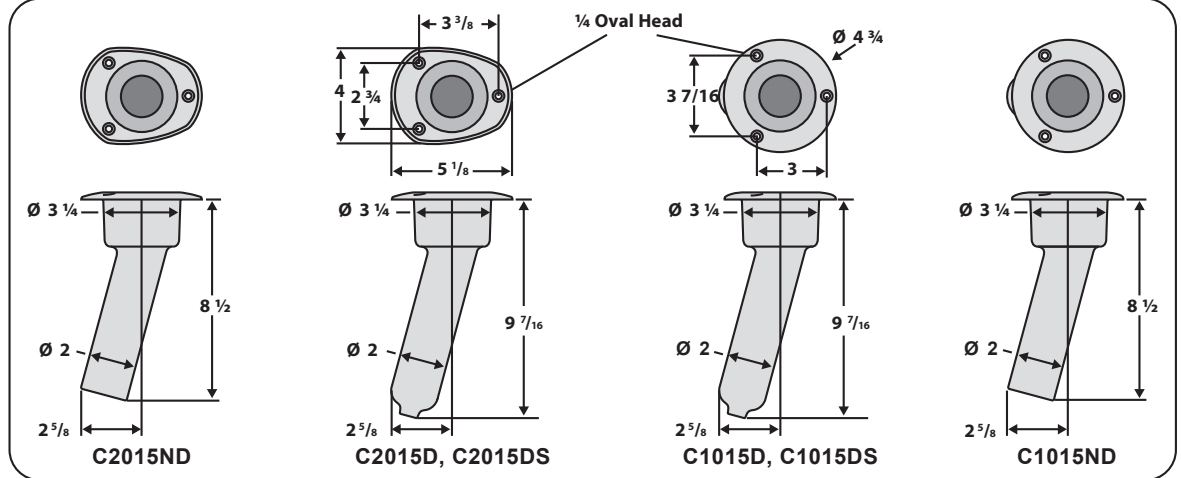
To the casual observer Mate Series™ looks no different than a premium stainless cup holder - a closer look reveals it's secret identity - **a rod holder built into the cup!**



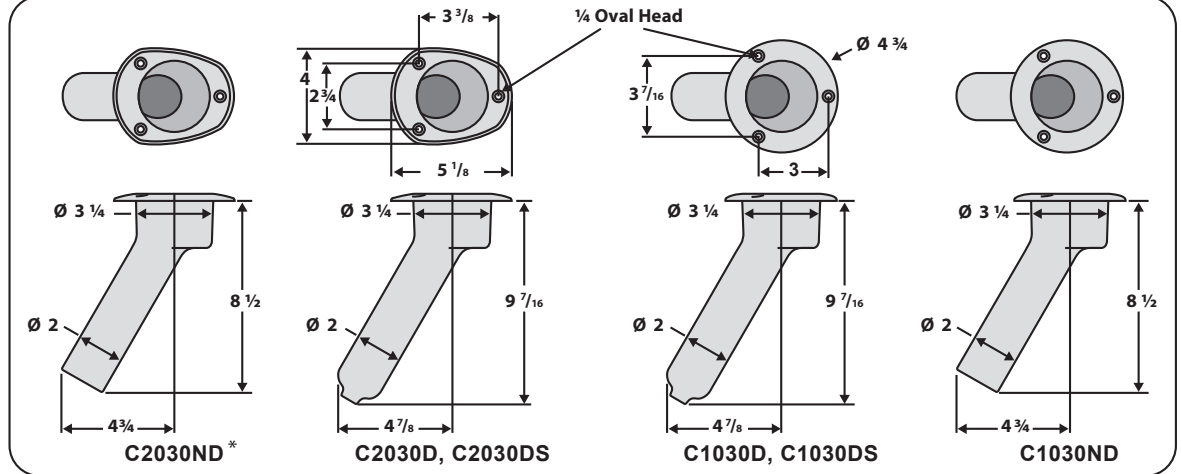
## 0° Angle Rod & Cup Holder Dimensions



## 15° Angle Rod & Cup Holder Dimensions



## 30° Angle Rod & Cup Holder Dimensions

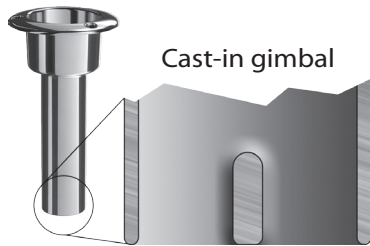


## Easy Installation

Unlike conventional rod holders installation of Mate Series™ Rod & Cup Holders is easy. The cup portion at the top of the unit is not angled so a simple right angle hole-saw cut makes retrofits and OEM installation a breeze.

## Quality Construction

Mate Series™ Combination Rod & Cup Holders are built of the highest quality materials either 316L stainless steel or impact resistant ABS plastic (not less durable vinyl). All parts are "over engineered" for maximum durability.



Standard



Round  
or  
Oval Top

Elite  
Screwless



316L Stainless Steel

Impact Resistant  
ABS Plastic



Some of the boat builders that offer Mate Series™ Rod & Cup Holders as original equipment.

Andros	Dorado	Nor-Tech
Barker	Edgewater	Onslow Bay
Blackwater	Everglades	Parker
Century	Gause	Regal
Chaos	Hinkley	Robalo
Chriscraft	Intrepid	Scout
Competition	Jupiter	Seavee
Contender	Mag Bay	Sheaffer
Chaparral	Native Kayaks	Yellowfin

### Available From:

Covered by one or more of the following US Patents:  
#D591385, #D591386, #D595807, #D595808 #D607962, #D607963  
Other Patents Pending

[WWW.MATESERIES.COM](http://WWW.MATESERIES.COM)

THE ORIGINAL PATENTED

## COMBINATION ROD & CUP HOLDER



## A Simple Solution

Why cut two holes in your boat when one will do? Mate Series™ Combination Rod & Cup Holders function exactly like a standard cup holder and fishing rod holder combined.

## Bait and Switch

Combination Rod & Cup Holders are the solution to the age-old dilemma of what to do with your drink when a fish strikes.

ONLY FROM



TM