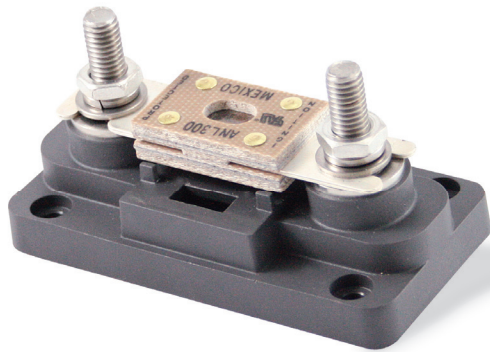


ANL Fuseholder Range

778-ANL
778-ANL2S

ANL Fuseholder 35-300A
ANL Fuseholder With Additional 2 Studs 35-750A



Modular

778-ANL2S-1.5x

778-ANL
-1.0x

0.5x

Footprint

Providing high-capacity fusing, fast response and high interrupt ratings (ANL up to 3,000 Amps DC), these Fuseholders are ideal for protecting today's demanding on-board power electronics technology including inverters and battery chargers. They also protect wiring from short circuits, for example as a main fuse to protect house circuits, protection for digital switching main feed circuits, or heavy duty loads.

ANL fuses designed for both 8mm (5/16"), or 10mm (3/8") studs are suitable.

Features & Benefits:

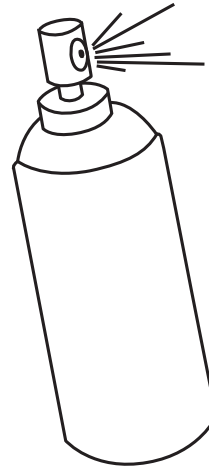
- Modular sizing and common interconnection height: Easily linked with other Pro Installer Busbars and Fuseholders saving installation time and space
- Compact footprints save space
- Radiused ends improve cable routing options (back-to-back lugs fit at any angle -90° to +90°)
- Innovative clear covers provide insulation/protection, with "snap outs" for extra cable access as required
- Fuse viewing "window" in cover aids visual inspection of fuse-state
- Label recess on cover allows fitting up to 1/2" width (12.7mm) printed labels from handheld label printers
- Insert moulded studs offer superior mechanical strength
- Designed for the harsh marine environment
- All threads are metric
- Anti-seize lubricant applied to prevent thread galling

Specifications:

- Cable connection studs:
 - 8mm (5/16") shared with fuse on 778-ANL
 - 10mm (3/8") dedicated studs on 778-ANL2S
- Fuse mounting studs: 8mm (5/16"). Also allows 10mm (3/8") ANL fuses to be used
- Fuse type: ANL or ANN (very fast acting)
- Amperage: determined by fuse sizing, 778-ANL: 35-300A, 778-ANL2S: 35-750A
- 50 VDC, or determined by fuse fitted (if lower)
- High temperature, fibre reinforced plastic base provides strength and chemical resistance
- Clear polycarbonate cover
- Tinned CDA102 copper conductors (778-ANL2S), stainless steel studs (778-ANL) and stainless steel nuts for longevity in the marine environment
- All threads are metric

IMPORTANT! Read before installing

- Use only "plastic safe" corrosion inhibiting sprays. Do not wipe solvents/petrochemicals onto the clear polycarbonate covers. These chemicals can affect the plastic, resulting in deteriorated properties such as opacity, and brittleness
- Ensure all cables are sized correctly for the loads they carry. Please refer to the BEP website (www.bepmarine.com) to calculate correct cable sizes
- Ensure electrical connections are correctly tightened! Loose, high power connections are capable of damaging equipment or starting fires. See torque figures on facing page, alternatively use a ring spanner of the correct size and tighten until firm



Plastic safe

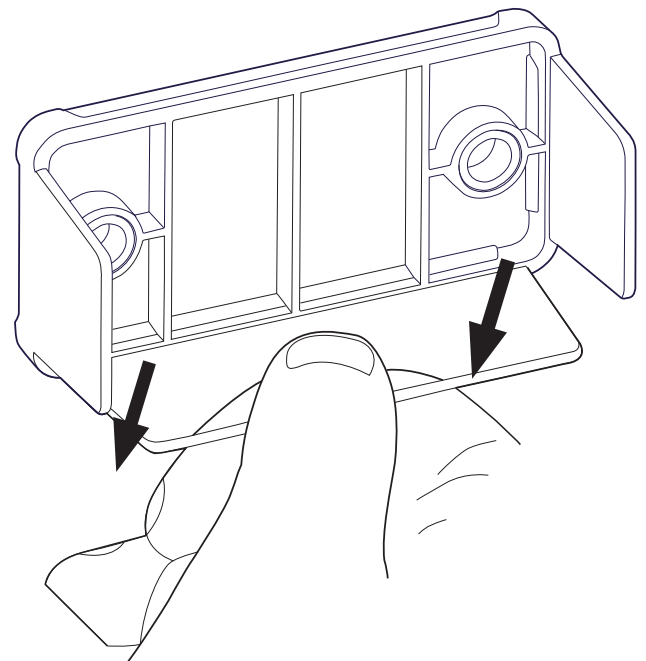
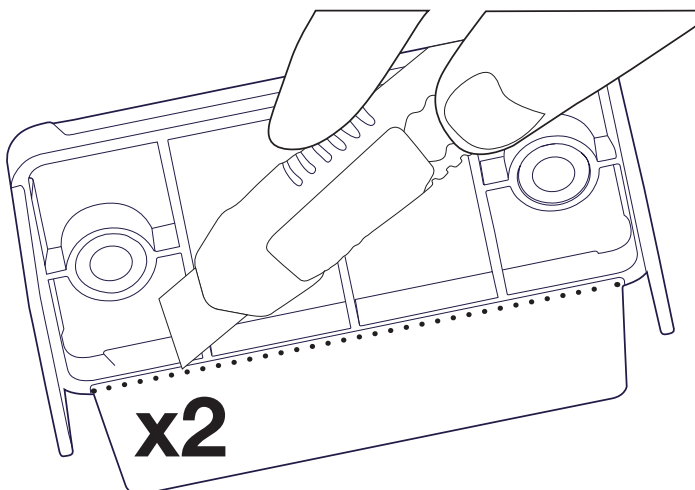
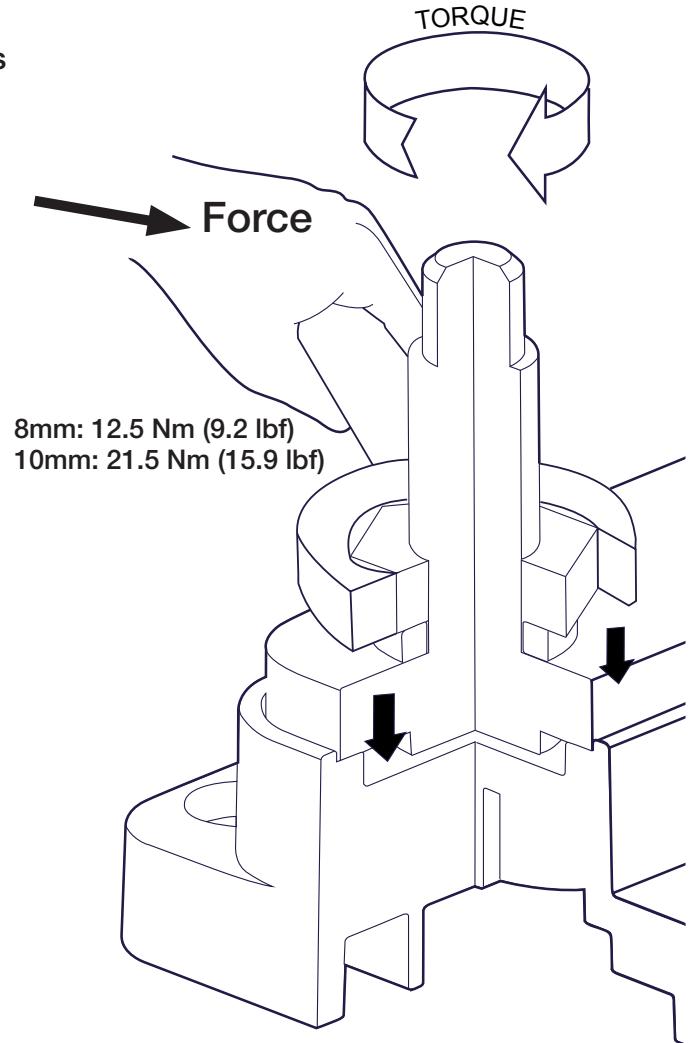
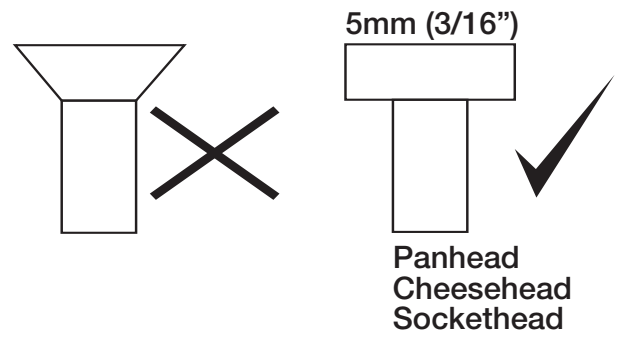


Petroleum based solvents

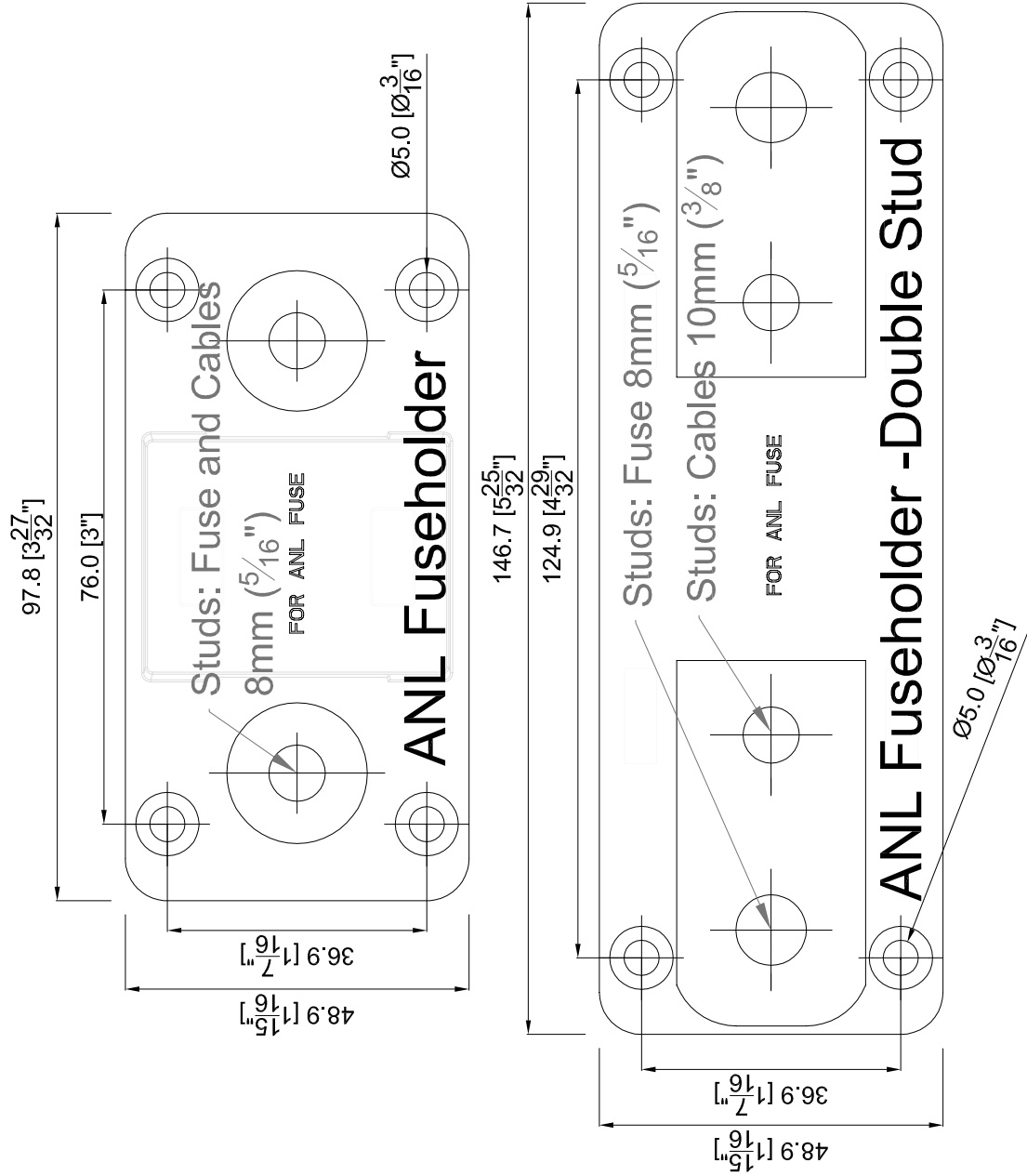


Installation Instructions:

1. Choose mounting location in dry, interior location
2. Select screws for mounting, 5mm (3/16").
Use only pan head or similar type screws
3. Screw the fuseholder into chosen location
4. Plain washers **must** be used on top of 10mm fuses
5. Ensure that spring washers are in place beneath cable retaining nuts
6. Recommended torques:
 - 8mm (5/16") studs: 12.5 Nm (9.2 lbf)
 - 10mm (3/8") studs: 21.5 Nm (15.9 lbf)
7. To remove snap-out sections of cover for additional cable access
 - Use a sharp knife to scratch/score twice along the snap-off line
 - BEWARE: PLEASE TAKE CARE WITH CRAFT KNIVES**
 - Then snap-off the section to be removed (bend both ways)
8. Fit cover
9. Ensure that cables are securely fastened and strain relieved as per ABYC/ISO or other applicable standards



Mounting Template:



Product	Dimensions (mm)	Dimensions (Inches)	Weight (Grams)	Weight (oz)
ANL Holder 35-300A	98 x 49 x 54mm	3.9" x 1.9" x 2.1"	143g	5.0 oz
ANL 2 Stud 35-750A	147 x 49 x 61mm	5.8" x 1.9" x 2.4"	330g	11.6 oz