

EDGE

BOW-MOUNT TROLLING MOTOR

USER MANUAL

CE MASTER USER MANUAL (FOR CE/C-TICK CERTIFIED MODELS)

Conforms to 89/336/EEC (EMC) under standards EN 55022A, EN 50082-2 since 1996 LN V9677264

THANK YOU

Thank you for choosing Minn Kota. We believe that you should spend more time fishing and less time positioning your boat. That's why we build the smartest, toughest, most intuitive trolling motors on the water. Every aspect of a Minn Kota trolling motor is thought out and rethought until it's good enough to bear our name. Countless hours of research and testing provide you the Minn Kota advantage that can truly take you "Anywhere. Anytime." We don't believe in shortcuts. We are Minn Kota. And we are never done helping you catch more fish.

REMEMBER TO KEEP YOUR RECEIPT AND IMMEDIATELY REGISTER YOUR TROLLING MOTOR.

A registration card is enclosed or you can complete registration on the internet at minnkotamotors.com.

NOTE: Do not return your Minn Kota motor to your retailer. Your retailer is not authorized to repair or replace this unit. You may obtain service by: calling Minn Kota at (800) 227-6433; returning your motor to the Minn Kota Factory Service Center; sending or taking your motor to any Minn Kota authorized service center. A list of authorized service centers is available on our website, at minnkotamotors.com. Please include proof of purchase, serial number and purchase date for warranty service with any of the above options.

Please thoroughly read this user manual. Follow all instructions and heed all safety and cautionary notices below. Use of this motor is only permitted for persons that have read and understood these user instructions. Minors may use this motor only under adult supervision.

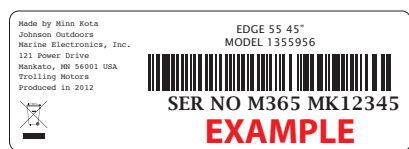
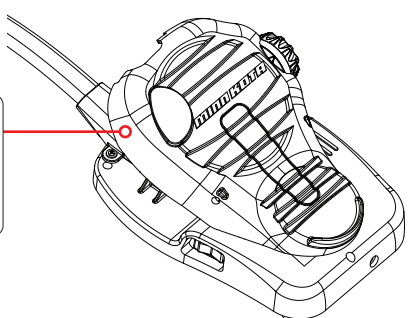
ATTENTION: Never run the motor out of the water, as this may result in injuries from the rotating propeller. The motor should be disconnected from the power source when it is not in use or is off the water. When connecting the power-supply cables of the motor to the battery, ensure that they are not kinked or subject to chafe and route them in such a way that persons cannot trip over them. Before using the motor make sure that the insulation of the power cables is not damaged. Disregarding these safety precautions may result in electric shorts of battery(s) and/or motor. Always disconnect motor from battery(s) before cleaning or checking the propeller. Avoid submerging the complete motor as water may enter the lower unit through control head and shaft. If the motor is used while water is present in the lower unit considerable damage to the motor can occur. This damage will not be covered by warranty.

CAUTION: Take care that neither you nor other persons approach the turning propeller too closely, neither with body parts nor with objects. The motor is powerful and may endanger or injure you or others. While the motor is running watch out for persons swimming and for floating objects. Persons whose ability to run the motor or whose reactions are impaired by alcohol, drugs, medication, or other substances are not permitted to use this motor. This motor is not suitable for use in strong currents. The constant noise pressure level of the motor during use is less than 70dB(A). The overall vibration level does not exceed 2,5m/sec².

LOCATING YOUR SERIAL NUMBER

Your Minn Kota 11-character serial number is very important. It helps to determine the specific model and year of manufacture. When contacting Consumer Service or registering your product, you will need to know your product's serial number. We recommend that you write the serial number down in the space provided below so that you have it available for future reference.

The serial number on your Edge is located near the momentary switch underneath the side of the foot pedal.



Made by Minn Kota
Johnson Outdoors
Marine Electronics, Inc.
122 Power Drive
Mankato, MN 56001 USA
Trolling Motors
Produced in 2012

EDGE 55 45"
MODEL 1355956

SER NO M365 MK12345
EXAMPLE

Model: _____

Serial Number: _____

Purchase Date: _____

Store Where Purchased: _____

TABLE OF CONTENTS

Two-Year Limited Warranty	4
Features	5
Mount Installation	6-7
Battery & Wiring Installation	8-9
Boat Rigging & Product Installation	8
Conductor Gauge and Circuit Breaker Sizing Table	8
Selecting the Correct Batteries	9
Connecting the Batteries	9
Motor Wiring Diagram	10
Using & Adjusting The Motor	11-13
Stowing & Deploying the Motor	11
Adjusting the Depth of the Motor	12
Adjusting the Steering Cable	12
Controlling Speed and Steering with the Foot Pedal	13
Service & Maintenance	14
Propeller Replacement	14
General Maintenance	14
Troubleshooting & Repair	15
Parts Diagram	16
Parts List	17
Environmental Compliance Statement	18
Notes	19

TWO-YEAR LIMITED WARRANTY

WARRANTY ON MINN KOTA FRESHWATER TROLLING MOTORS

Johnson Outdoors Marine Electronics, Inc. ("JOME") extends the following limited warranty to the original retail purchaser only. Warranty coverage is not transferable.

MINN KOTA LIMITED TWO-YEAR WARRANTY ON THE ENTIRE PRODUCT

JOME warrants to the original retail purchaser only that the purchaser's new Minn Kota freshwater trolling motor will be materially free from defects in materials and workmanship appearing within two (2) years after the date of purchase. JOME will (at its option) either repair or replace, free of charge, any parts found by JOME to be defective during the term of this warranty. Such repair, or replacement shall be the sole and exclusive liability of JOME and the sole and exclusive remedy of the purchaser for breach of this warranty.

MINN KOTA LIMITED LIFETIME WARRANTY ON COMPOSITE SHAFT

JOME warrants to the original retail purchaser only that the composite shaft of the purchaser's Minn Kota trolling motor will be materially free from defects in materials and workmanship appearing within the original purchaser's lifetime. JOME will provide a new composite shaft, free of charge, to replace any composite shaft found by JOME to be defective during the term of this warranty. Providing a new composite shaft shall be the sole and exclusive liability of JOME and the sole and exclusive remedy of the purchaser for breach of this warranty; **and purchaser shall be responsible for installing, or for the cost of labor to install, any new composite shaft provided by JOME.**

EXCLUSIONS & LIMITATIONS

This limited warranty does not apply to products that have been used in saltwater or brackish water, commercially or for rental purposes. This limited warranty does not cover normal wear and tear, blemishes that do not affect the operation of the product, or damage caused by accidents, abuse, alteration, modification, shipping damages, acts of God, negligence of the user or misuse, improper or insufficient care or maintenance. **DAMAGE CAUSED BY THE USE OF OTHER REPLACEMENT PARTS NOT MEETING THE DESIGN SPECIFICATIONS OF THE ORIGINAL PARTS WILL NOT BE COVERED BY THIS LIMITED WARRANTY.** The cost of normal maintenance or replacement parts which are not in breach of the limited warranty are the responsibility of the purchaser. Prior to using products, the purchaser shall determine the suitability of the products for the intended use and assumes all related risk and liability. Any assistance JOME provides to or procures for the purchaser outside the terms, limitations or exclusions of this limited warranty will not constitute a waiver of the terms, limitations or exclusions, nor will such assistance extend or revive the warranty. JOME will not reimburse the purchaser for any expenses incurred by the purchaser in repairing, correcting or replacing any defective products or parts, except those incurred with JOME's prior written permission. **JOME'S AGGREGATE LIABILITY WITH RESPECT TO COVERED PRODUCTS IS LIMITED TO AN AMOUNT EQUAL TO THE PURCHASER'S ORIGINAL PURCHASE PRICE PAID FOR SUCH PRODUCT.**

MINN KOTA SERVICE INFORMATION

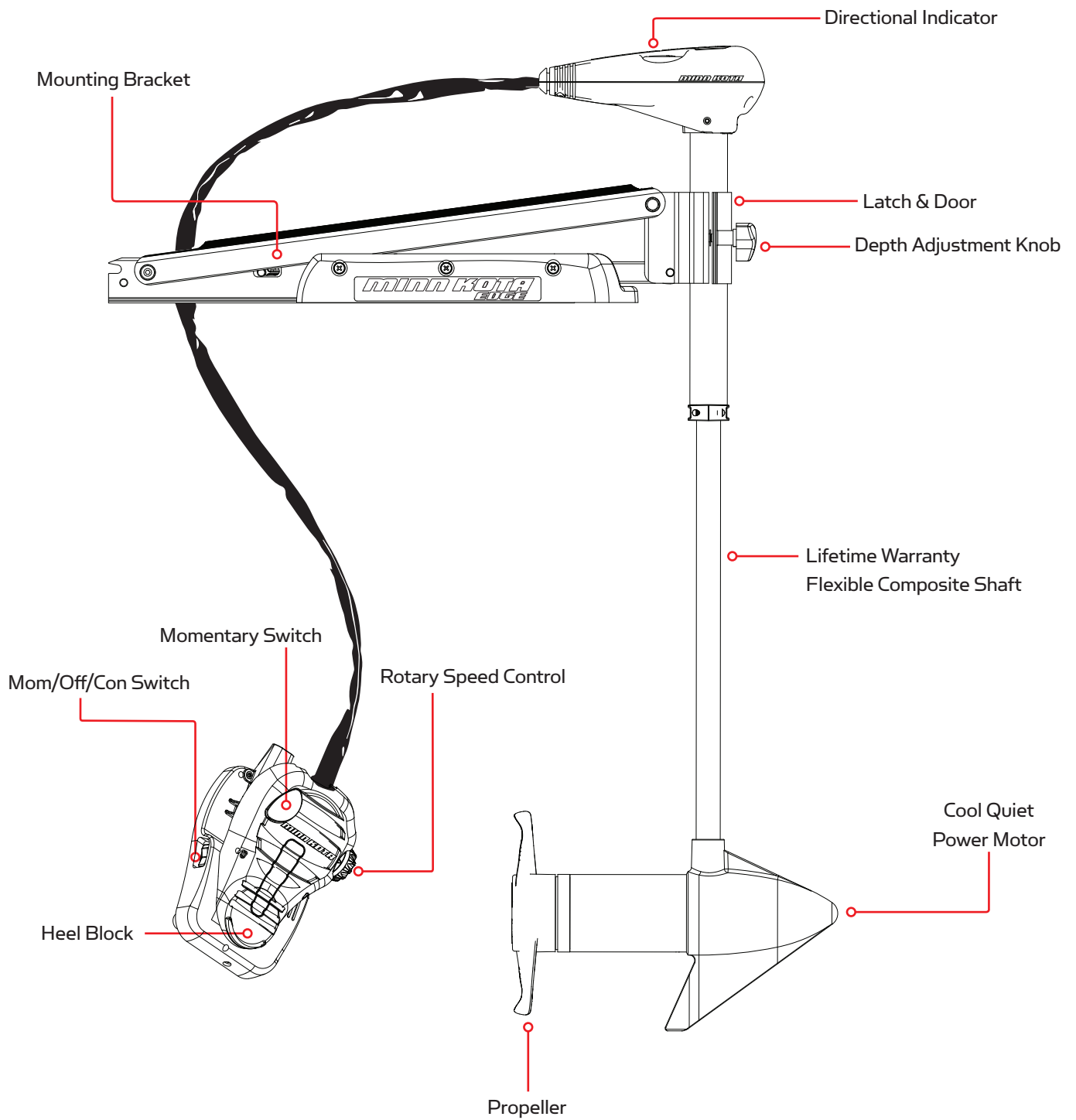
To obtain warranty service in the U.S., the product believed to be defective, and proof of original purchase (including the date of purchase), must be presented to a Minn Kota Authorized Service Center or to Minn Kota's factory service center in Mankato, MN. Any charges incurred for service calls, transportation or shipping/freight to/from the Minn Kota Authorized Service Center or factory, labor to haul out, remove, re-install or re-rig products removed for warranty service, or any other similar items are the sole and exclusive responsibility of the purchaser. Products purchased outside of the U.S. must be returned prepaid with proof of purchase (including the date of purchase and serial number) to any Authorized Minn Kota Service Center in the country of purchase. Warranty service can be arranged by contacting a Minn Kota Authorized Service Center or by contacting the factory at 1-800-227-6433 or email service@minnkotamotors.com. **Products repaired or replaced will be warranted for the remainder of the original warranty period [or for 90 days from the date of repair or replacement, whichever is longer]. For any product that is returned for warranty service that JOME finds to be not covered by or not in breach of this limited warranty, there will be a billing for services rendered at the prevailing posted labor rate and for a minimum of at least one hour.**

NOTE: Do not return your Minn Kota product to your retailer. Your retailer is not authorized to repair or replace products.

THERE ARE NO EXPRESS WARRANTIES OTHER THAN THESE LIMITED WARRANTIES. IN NO EVENT SHALL ANY IMPLIED WARRANTIES INCLUDING ANY IMPLIED WARRANTIES OF MERCHANTABILITY OR FITNESS FOR PARTICULAR PURPOSE, EXTEND BEYOND THE DURATION OF THE RELEVANT EXPRESS LIMITED WARRANTY. IN NO EVENT SHALL JOME BE LIABLE FOR PUNITIVE, INDIRECT, INCIDENTAL, CONSEQUENTIAL OR SPECIAL DAMAGES. Without limiting the foregoing, JOME assumes no responsibility for loss of use of product, loss of time, inconvenience or other damage.

Some states do not allow limitations on how long an implied warranty lasts or the exclusion or limitation of incidental or consequential damages, so the above limitations and/or exclusions may not apply to you. This warranty gives you specific legal rights and you may also have other legal rights which vary from state to state.

FEATURES



Specifications subject to change without notice.

*This diagram is for reference only and may differ from your actual motor.

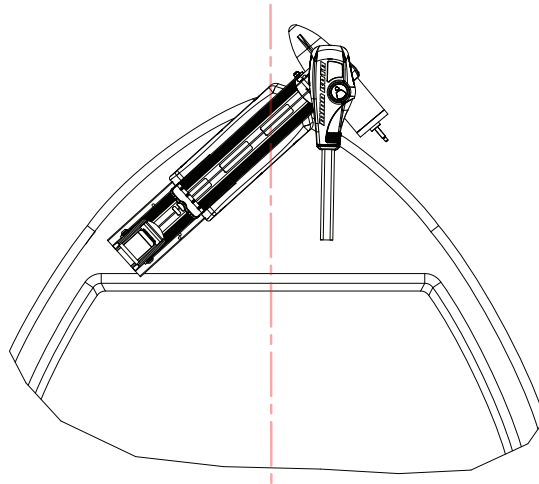
MOUNT INSTALLATION

TOOLS AND RESOURCES REQUIRED:

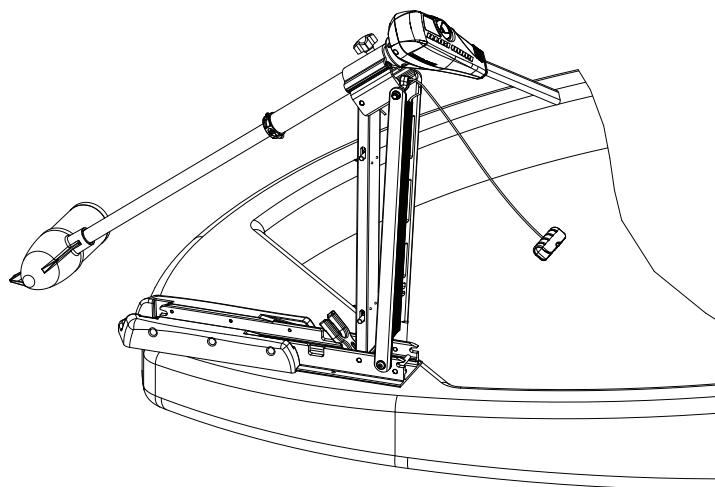
- Phillips Screw Driver
- Drill
- 9/32" Drill Bit
- 7/16" Box End Wrench
- A second person to help with the installation

1. Before you proceed, determine the desired mounting location for the motor. It is recommended that the motor be mounted as close to the center line of the boat as possible as seen below.

CAUTION: Make sure the motor is mounted on a level surface and is not connected to a power source.



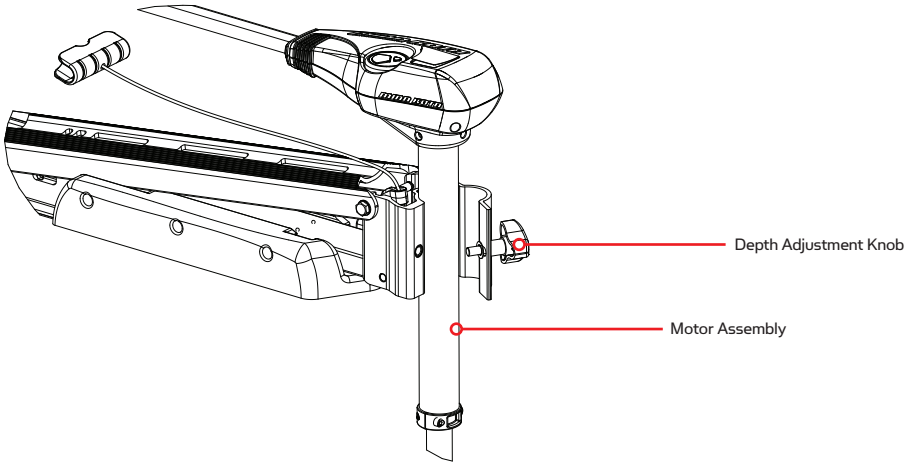
2. Verify the area under the chosen mounting location is clear and safe to drill through.
3. Place the motor on top of the desired mounting location while it is in the stowed position (for stow and deploy instructions, see "Stowing and Deploying the Motor" on p. 11).
4. Verify the motor rest is positioned far enough beyond the edge of the boat so that the motor clears all obstructions while deploying and stowing the motor.



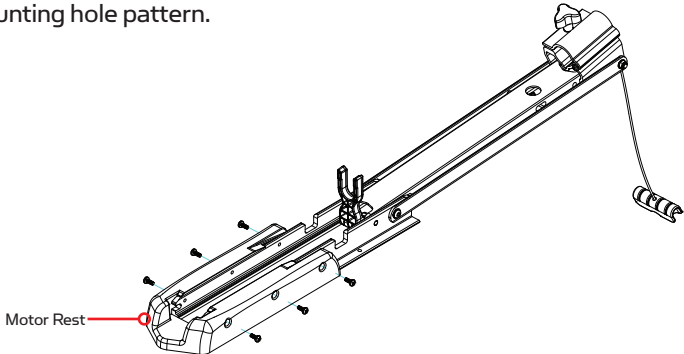
- 5. Deploy the motor and remove the motor assembly from the mount by loosening the Steering Tension Knob and opening the door.

WARNING:

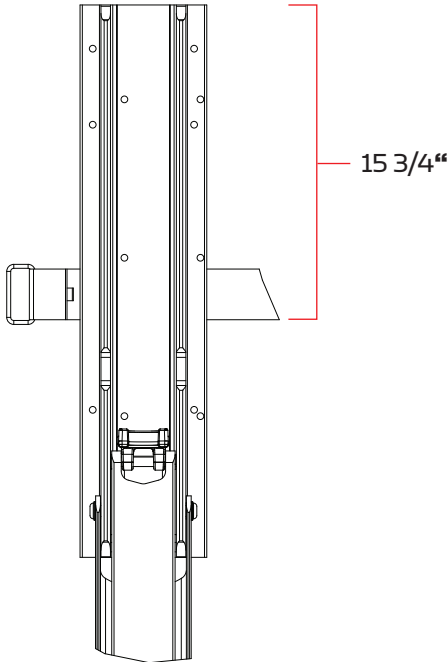
When raising or lowering motor, keep fingers clear of all hinge and pivot points and all moving parts.



- 6. Position the mount again in the stowed position.
- 7. Temporarily remove the Phillips screws that fasten the motor rest to the mounting bracket and remove the motor rest to expose the motor mounting hole pattern.



- 8. Determine the mounting hole pattern you wish to use from the illustration to the right. Using the mounting holes in the mount as your template, mark the top deck of the boat with a pencil or an erasable marker.
- 9. Remove the mount from the deck of the boat and drill the holes that you marked in the previous step using a 9/32" drill bit and drill. Be careful not to damage any wiring or critical features that may exist under the surface you are drilling through.
- 10. Place the mount on the deck of the boat again and verify the hold down strap is positioned 15 3/4" from the front of the bow mount as shown in the diagram.
- 11. Fasten the mount to the deck of the boat using the supplied 1/4" – 20 X 2" bolts, washers and nuts. Tighten the stainless mount hardware securely but slowly to the deck of the boat using a 7/16" box end wrench. Tightening the stainless hardware too fast may result in galling and or seizing of the bolts and nuts.
- 12. Reinstall the motor rest using the six original 1/4" Phillips screws.
- 13. Reinstall the motor assembly into the mount and securely tighten the steering tension knob.



BATTERY WIRING & INSTALLATION

BOAT RIGGING & PRODUCT INSTALLATION

For safety and compliance reasons, we recommend that you follow American Boat and Yacht Council (ABYC) standards when rigging your boat. Altering boat wiring should be completed by a qualified marine technician. The following specifications are for general guidelines only:

CAUTION: These guidelines apply to general rigging to support your Minn Kota motor. Powering multiple motors or additional electrical devices from the same power circuit may impact the recommended conductor gauge and circuit breaker size. If you are using wire longer than that provided with your unit, follow the conductor gauge and circuit breaker sizing table below. If your wire extension length is more than 25 feet, we recommend that you contact a qualified marine technician.

An over-current protection device (circuit breaker or fuse) must be used. Coast Guard requirements dictate that each ungrounded current-carrying conductor must be protected by a manually reset, trip-free circuit breaker or fuse. The type (voltage and current rating) of the fuse or circuit breaker must be sized accordingly to the trolling motor used. The table below gives recommended guidelines for circuit breaker sizing.

Reference:

United States Code of Federal Regulations: 33 CFR 183 – Boats and Associated Equipment
 ABYC E-11: AC and DC Electrical Systems on Boats

CONDUCTOR GAUGE AND CIRCUIT BREAKER SIZING TABLE

Motor Thrust / Model	Max Amp Draw	Circuit Breaker	Wire Extension Length *				
			5 feet	10 feet	15 feet	20 feet	25 feet
30 lb.	30	50 Amp @ 12 VDC	10 AWG	10 AWG	8 AWG	6 AWG	4 AWG
40 lb., 45 lb.	42		10 AWG	8 AWG	6 AWG	4 AWG	4 AWG
50 lb., 55 lb.	50	60 Amp @ 12 VDC	8 AWG	6 AWG	4 AWG	4 AWG	2 AWG
70 lb.	42	50 Amp @ 24 VDC	10 AWG	10 AWG	8 AWG	8 AWG	6 AWG
80 lb.	56	60 Amp @ 24 VDC	8 AWG	8 AWG	8 AWG	6 AWG	6 AWG
101 lb.	46	50 Amp @ 36 VDC	8 AWG	8 AWG	8 AWG	8 AWG	8 AWG
Engine Mount 101	50	60 Amp @ 36 VDC	8 AWG	6 AWG	4 AWG	4 AWG	2 AWG
112 lb.	52	60 Amp @ 36 VDC	8 AWG	8 AWG	8 AWG	8 AWG	8 AWG
Engine Mount 160	116	(2) x 60 Amp @ 24 VDC	2 AWG	2 AWG	2 AWG	2 AWG	2 AWG
E-Drive	40	50 Amp @ 48 VDC	10 AWG	10 AWG	10 AWG	10 AWG	10 AWG

This conductor and circuit breaker sizing table is only valid for the following assumptions:

1. No more than 3 conductors are bundled together inside of a sheath or conduit outside of engine spaces.
2. Each conductor has 105° C temp rated insulation.
3. No more than 5% voltage drop allowed at full motor power based on published product power requirements.

***Wire Extension Length refers to the distance from the batteries to the trolling motor leads.**

SELECTING THE CORRECT BATTERIES

The motor will operate with any lead acid, deep cycle marine 12 volt battery/batteries. For best results, use a deep cycle, marine battery with at least a 105 ampere hour rating. Maintain battery at full charge. Proper care will ensure having battery power when you need it, and will significantly improve the battery life. Failure to recharge lead-acid batteries (within 12-24 hours) is the leading cause of premature battery failure. Use a multi-stage charger to avoid overcharging. We offer a wide selection of chargers to fit your charging needs. If you are using a crank battery to start a gasoline outboard, we recommend that you use a separate deep cycle marine battery/batteries for your Minn Kota trolling motor.

Advice Regarding Batteries:

- Never connect the (+) and the (-) terminals of the battery together. Take care that no metal object can fall onto the battery and short the terminals. This would immediately lead to a short and extreme fire danger.
- It is highly recommended that a circuit breaker or fuse be used with this trolling motor. Refer to “Conductor Gauge and Circuit Breaker Sizing Table” in the previous section to find the appropriate circuit breaker or fuse for your motor. For motors requiring a 60-amp breaker, the Minn Kota MKR-19 60-amp circuit breaker is recommended.

CONNECTING THE BATTERIES

12 VOLT SYSTEMS:

1. Make sure that the motor is switched off (speed selector on “OFF” or “O”).
2. Connect positive (+) red lead to positive (+) battery terminal.
3. Connect negative (-) black lead to negative (-) battery terminal.
4. For safety reasons do not switch the motor on until the propeller is in the water.

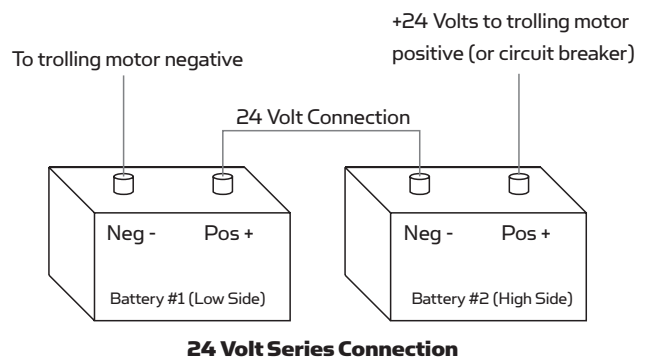
CAUTION:

For safety reasons, disconnect the motor from the battery/batteries when the motor is not in use or while the battery/batteries are being charged.

CONNECTING THE BATTERIES IN SERIES (IF REQUIRED FOR YOUR MOTOR)

24 VOLT SYSTEMS:

1. Make sure that the motor is switched off (speed selector on “O”).
2. Two 12 volt batteries are required.
3. The batteries must be wired in series, only as directed in wiring diagram, to provide 24 volts.
 - a. Connect a connector cable to the positive (+) terminal of battery 1 and to the negative (-) terminal of battery 2.
 - b. Connect positive (+) red lead to positive (+) terminal on battery 2.
 - c. Connect negative (-) black lead to negative (-) terminal of battery 1.
4. For safety reasons do not switch the motor on until the propeller is in the water. If installing a leadwire plug, observe proper polarity and follow instructions in your boat owner’s manual. See wiring diagram on following pages.

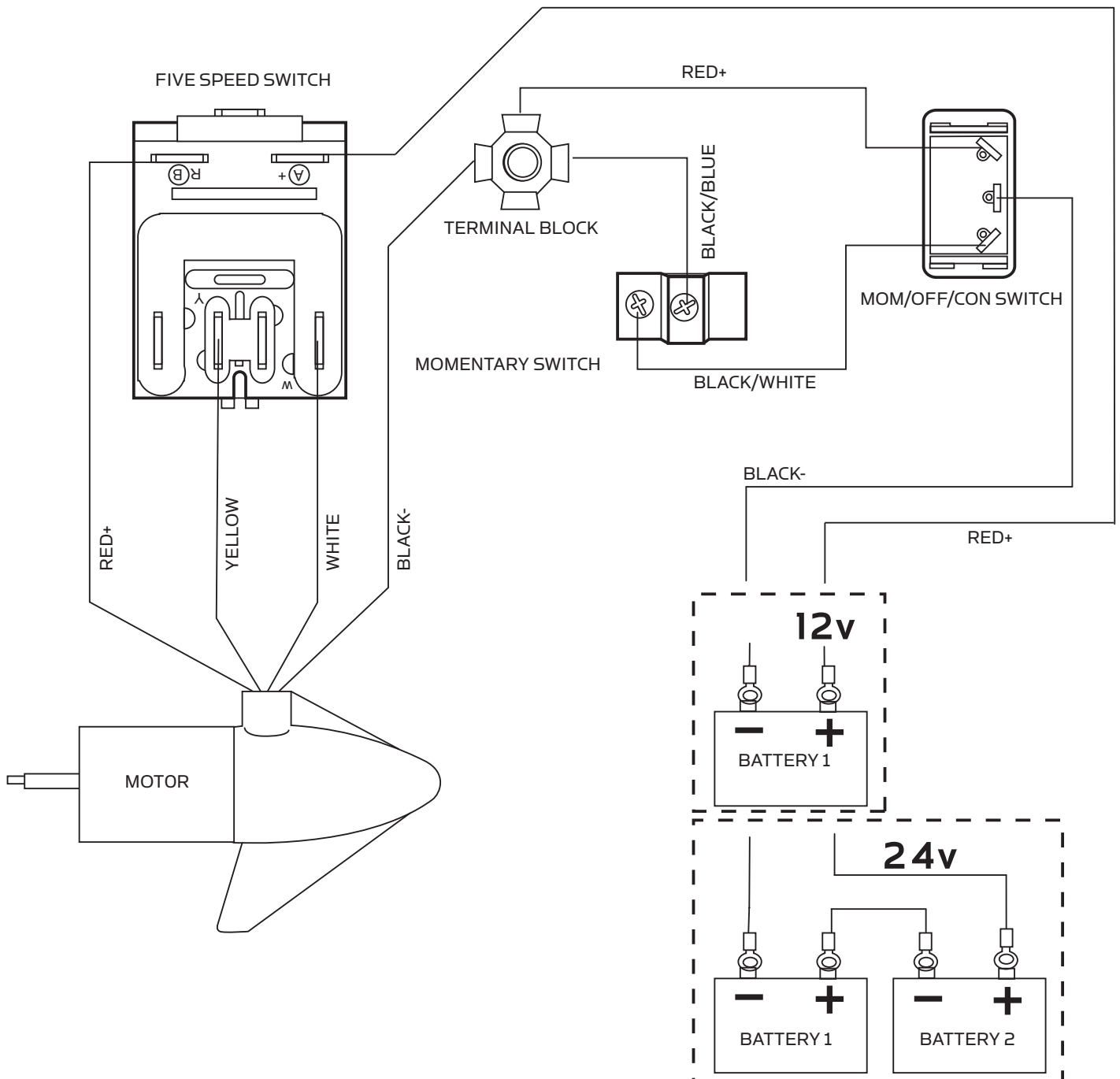


CAUTION

- **For safety reasons, disconnect the motor from the battery or batteries when the motor is not in use or while the battery/batteries are being charged.**
- **Improper wiring of 24/36 volt systems could cause battery explosion!**
- **Keep leadwire wing nut connection tight and solid to battery terminals.**
- **Locate battery in a ventilated compartment.**

MOTOR WIRING DIAGRAM

NOTE: This is a universal, multi-voltage diagram. Double-check your motor's voltage for proper connections. Over-Current Protection Devices not shown in this illustration.



USING AND ADJUSTING THE MOTOR

STOWING AND DEPLOYING THE MOTOR

WARNING:

When raising or lowering the motor, keep fingers clear of all hinge and pivot points and all moving parts.

MOUNT FEATURES

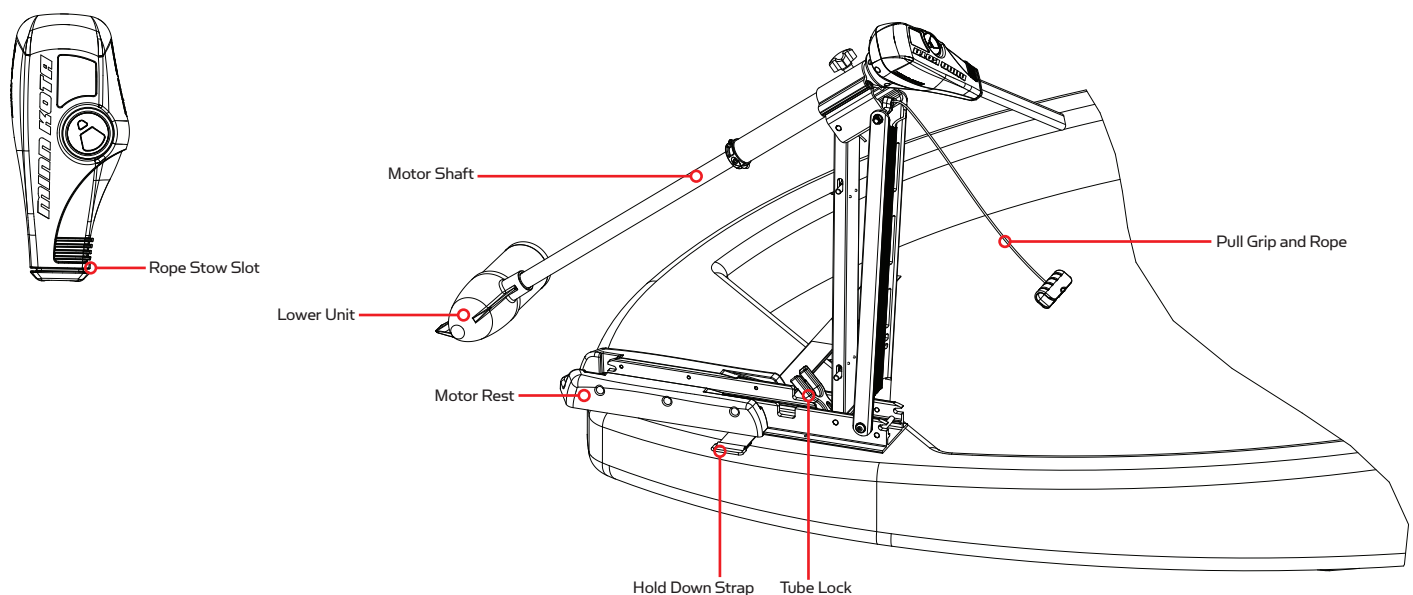
- The motor mount is designed to fold back and lock the motor flat on the deck when not in use and to provide secure stowage for transport.
- The pull grip and rope releases the lock bar, which automatically engages when the unit is lowered or raised into position. The pull grip and rope should be used to both lower and raise the unit.
- The motor rest positions the lower unit as it comes in contact with the nose of the mount and guides it onto the motor rest.
- The tube lock captures the motor shaft and keeps the lower unit centered on the motor rest.
- The hold-down strap must be used to place pressure on the motor shaft to hold the lower unit tightly against the motor rest when stowed.
- The pull grip and rope can be stored by placing the pull grip on top of the tube lock or into the rope stow slot on the control box of the motor.

TO DEPLOY THE MOTOR

Simply pull back and lift the motor off of the mount with the pull grip and rope. Lower the motor into the water using the pull grip and rope. The motor will lock into the deployed position automatically.

TO STOW THE MOTOR

Pull back and lift the motor out of the water with the pull grip and rope. Lower the lower unit onto the motor rest using the pull grip and rope. The motor will lock into the stowed position automatically. Wrap the hold-down strap over top of the motor shaft to secure the motor.

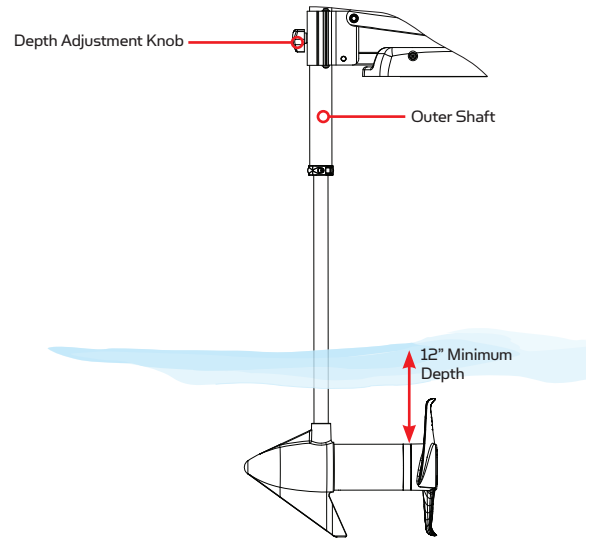


USING & ADJUSTING THE MOTOR

ADJUSTING THE DEPTH OF THE MOTOR

The propeller tip must be submerged at least 12" to avoid churning or agitation of surface water.

1. With the motor deployed, firmly grasp the outer shaft or control head and hold it steady.
2. Loosen the depth adjustment knob until the shaft slides freely.
3. Raise or lower the motor to the desired depth.
4. Turn the motor control head to the desired position.
5. Tighten depth adjustment knob to secure the motor in place.

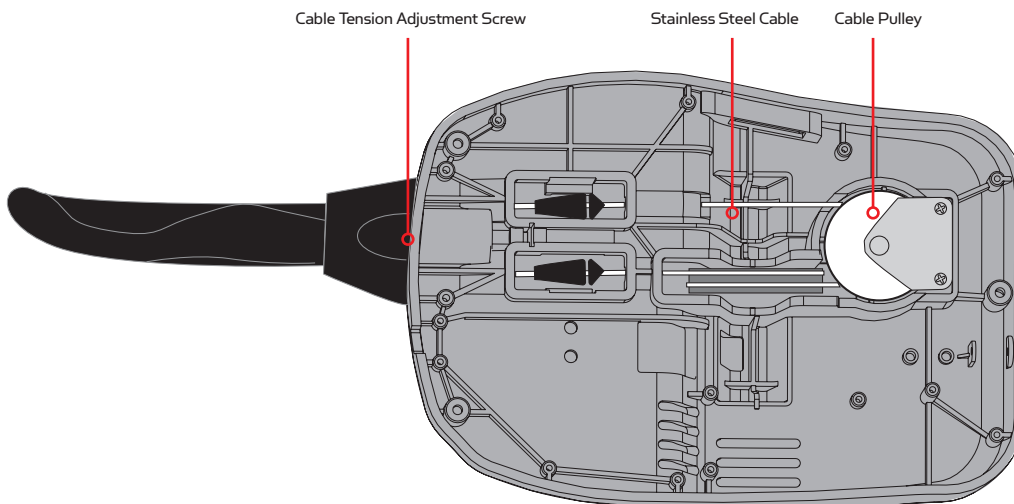


ADJUSTING THE STEERING CABLE

The steering cable tension is pre-set at the factory but will, through normal use, need occasional adjustment.

Adjust the tension of the cables by turning the cable tension adjustment screw (Phillips pan-head screw) located near the bottom of the foot pedal, just under the steering cable cover.

Turn the screw clockwise to increase tension and counter-clockwise to decrease tension.

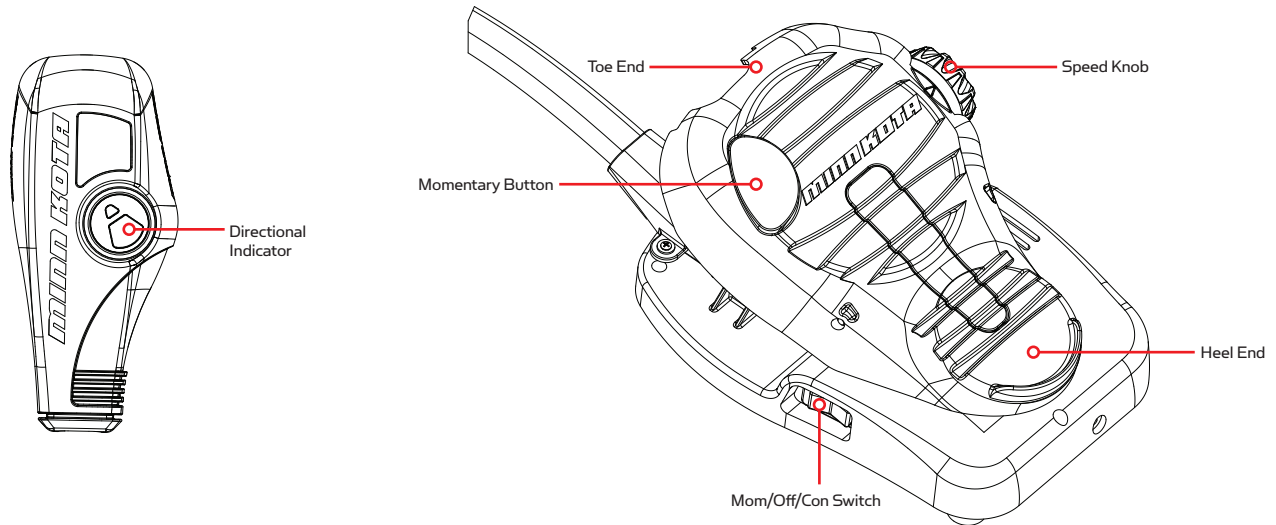


NOTE:

If the cable becomes too loose, it may disengage the wrap drum in the control box or the pulley in the foot pedal.

CONTROLLING SPEED & STEERING WITH THE FOOT PEDAL

Most controls on the foot pedal are easy to operate by either foot or hand:



TO ADJUST MOTOR SPEED

Turn the speed knob clockwise to increase speed and counter-clockwise to decrease speed.

TO OPERATE THE MOTOR IN CONTINUOUS MODE

Press the Mom/Off/Con switch on the side of the pedal to the Con position.

TO OPERATE THE MOTOR IN MOMENTARY MODE

Press the Mom/Off/Con switch on the side of the pedal to the Mom position. A toe touch to the Momentary button on the foot pedal will now turn the motor on. Removing downward force on the Momentary button will turn the motor off.

TO TURN LEFT OR RIGHT

Push the toe end of the foot pedal down to turn right and push the heel end of the foot pedal down to turn left. The indicator on the motor head shows the direction of the motor. The motor will not maintain its own heading. You must keep your foot on the pedal to control steering during operation.

TO REVERSE THE MOTOR

The motor always travels in the direction of the indicator. You can reverse the direction of the motor by turning the motor 180° from straight ahead.

CAUTION:

- **Switch the mom/off/con switch to “off” when not in use. If the motor control is left on and the propeller rotation is blocked, severe motor damage can result.**
- **Be sure to turn the motor off after each use.**
- **For safety reasons, disconnect the motor from the battery/batteries when the motor is not in use or while the battery/batteries are being charged.**

SERVICE & MAINTENANCE

PROPELLER REPLACEMENT

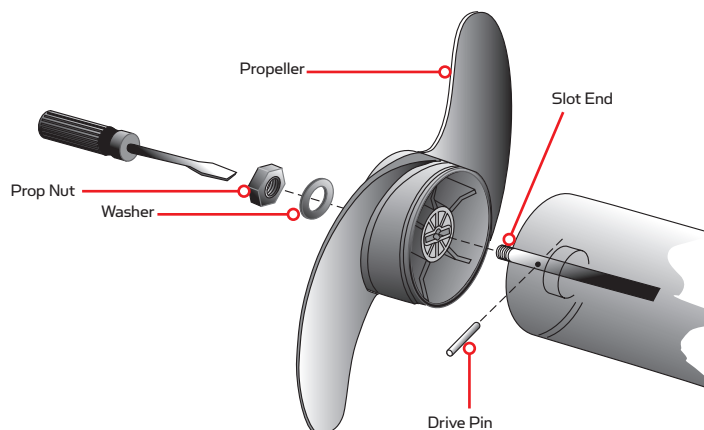
TOOLS AND RESOURCES REQUIRED:

- 7/16" Box End Wrench
- Screwdriver (optional)

CAUTION:

Disconnect the motor from the battery before beginning any prop work or maintenance.

NOTE: The propeller on your motor may differ from the one pictured.



1. Disconnect the motor from all sources of power prior to changing the propeller.
2. Hold the propeller and loosen the prop nut with pliers or a wrench.
3. Remove the prop nut and washer. If the drive pin is sheared or broken, you will need to hold the shaft stationary with a blade screwdriver pressed into the slot on the end of the shaft.
4. Turn the old prop to horizontal (as illustrated) and pull it straight off. If drive pin falls out, push it back in.
5. Align the new propeller with the drive pin.
6. Install the prop washer and prop nut.
7. Tighten the prop nut 1/4 turn past snug [25-35 inch lbs.] Do not over tighten as this can damage the prop.

GENERAL MAINTENANCE

1. After use, the entire motor should be rinsed with freshwater, then wiped down with a cloth dampened with an aqueous based silicone spray. This series of motors is not equipped for saltwater exposure.
2. The propeller must be inspected and cleaned from weeds and fishing line after every use. Fishing line and weeds can get behind the prop, damage the seals and allow water to enter the motor.
3. Verify the prop nut is secure each time the motor is used.
4. To prevent accidental damage during transportation or storage, disconnect the battery whenever the motor is off of the water. For prolonged storage, lightly coat all metal parts with an aqueous based silicone spray.
5. For maximum battery life recharge the battery(s) as soon as possible after use. For maximum motor performance restore battery to full charge prior to use.
6. Keep battery terminals clean with fine sandpaper or emery cloth.
7. The propeller is designed to provide weed free operation with very high efficiency. To maintain this top performance, the leading edge of the blades must be kept smooth. If they are rough or nicked from use, restore to smooth by sanding with fine sandpaper.

TROUBLESHOOTING & REPAIR

1. Motor fails to run or lacks power:
 - Check battery connections for proper polarity.
 - Make sure terminals are clean and corrosion free. Use fine sandpaper or emery cloth to clean terminals.
 - Check battery water level. Add water if needed.
2. Motor loses power after a short running time:
 - Check battery charge. If low, restore to full charge.
3. Motor is difficult to steer:
 - Check steering cables for proper tension. Adjust as necessary.
4. You experience prop vibration during normal operation:
 - Remove and rotate the prop 180°. See removal instructions in the Propeller Replacement Section.
5. Experiencing interference with your fishfinder:
 - You may, in some applications, experience interference in your depth finder display. We recommend that you use a separate deep cycle marine battery for your trolling motor and that you power the depth finder from the starting/cranking battery. If problems still persist, call our service department at 1-800-227-6433.

NOTE: For all other malfunctions, visit an authorized service center. You can search for an Authorized Service Center in your area by visiting our Authorized Service page, found online at minnkotamotors.com, or by calling our customer service number at 800-227-6433.

FOR FURTHER TROUBLESHOOTING AND REPAIR

We offer several options to help you troubleshoot and/or repair your product. Please read through the options listed below.



FREQUENTLY ASKED QUESTIONS

We have FAQs available on our website to help answer all of your Minn Kota questions. Visit minnkotamotors.com and click on “Frequently Asked Questions” to find an answer to your question.



CALL US (FOR U.S. AND CANADA)

Our consumer service representatives are available Monday – Friday between 7:00 a.m. – 4:30 p.m. CST at 800-227-6433. If you are calling to order parts, please have the 11-character serial number from your product, specific part numbers, and credit card information available. This will help expedite your call and allow us to provide you with the best consumer service possible. You can reference the parts list located in your manual to identify the specific part numbers.



EMAIL US

You can email our consumer service department with questions regarding your Minn Kota products. To email your question, visit minnkotamotors.com and click on “Support”.



AUTHORIZED SERVICE CENTERS

Minn Kota has over 300 authorized service centers in the United States and Canada where you can purchase parts or get your products repaired. Please visit our Authorized Service Center page on our website to locate a service center in your area.

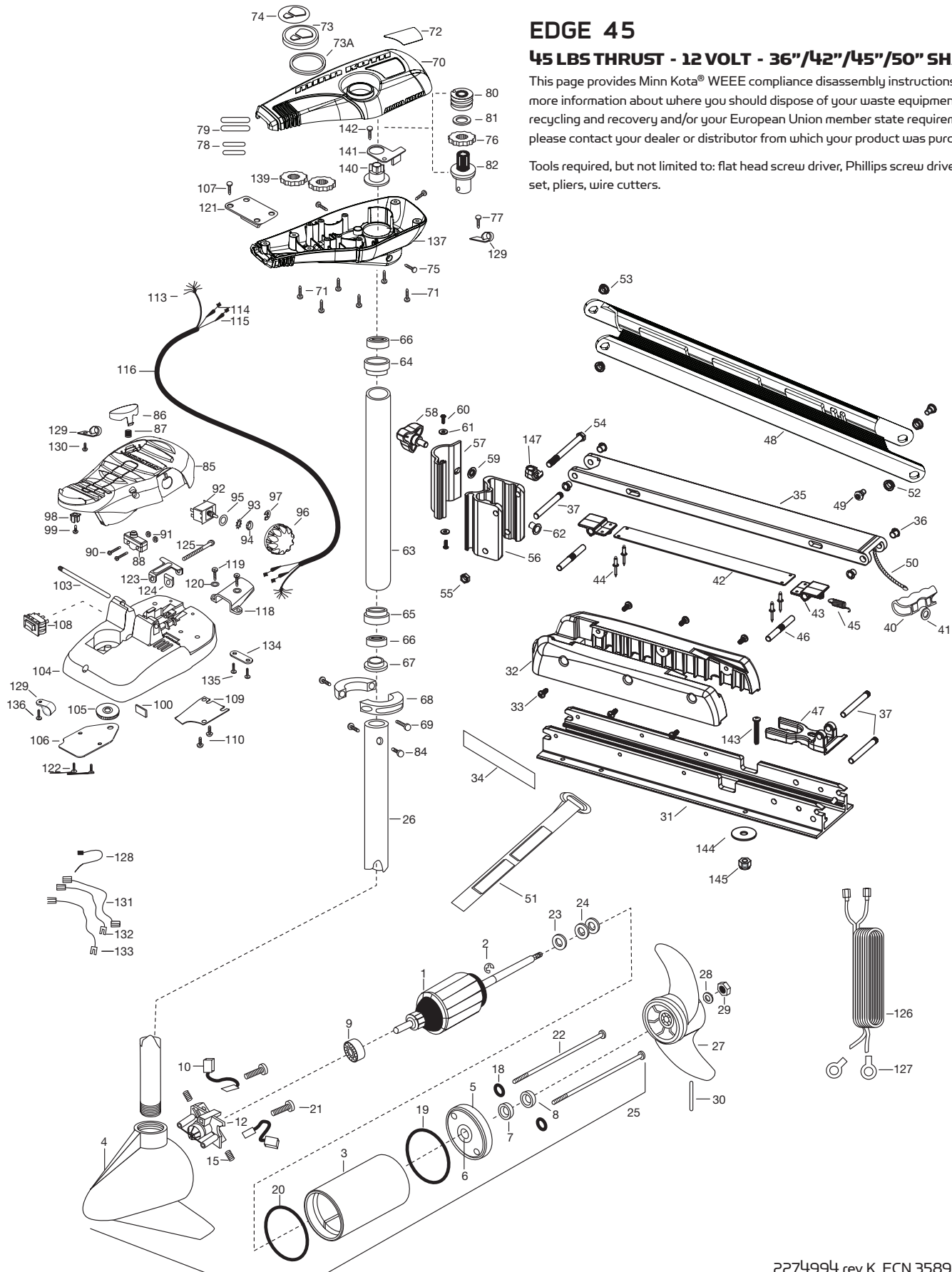
PARTS DIAGRAM

EDGE 45

45 LBS THRUST - 12 VOLT - 36"/42"/45"/50" SHAFT

This page provides Minn Kota® WEEE compliance disassembly instructions. For more information about where you should dispose of your waste equipment for recycling and recovery and/or your European Union member state requirements, please contact your dealer or distributor from which your product was purchased.

Tools required, but not limited to: flat head screw driver, Phillips screw driver, socket set, pliers, wire cutters.



EDGE 45

45 LBS THRUST - 12 VOLT - 36"/42"/45"/50" SHAFT

ITEM	QTY	PART NUMBER	DESCRIPTION
1	1	2-100-202	ARM ASSEMBLY 12 V 3.25
2	1	788-015	RETAINING RING
3	1	2-200-079	HOUSING ASSEMBLY CENTER 3.25 TXT
4	1	2-300-134	HOUSING -ASSEMBLY BRUSH END 45"-50"
	1	2-300-132	BRUSH END HOUSING ASSEMBLY
5	1	2-400-128	PLAIN END HOUSING ASSEMBLY
6	1	144-049	FLANGE BEARING [SERVICE ONLY]
7	1	880-003	SEAL
8	1	880-006	SEAL WITH SHIELD
9	1	140-010	BALL BEARING
10	2	188-052	BRUSH ASSEMBLY
12	1	738-030	BRUSH PLATE W/HOLDER 3.25
15	2	975-032	COMPRESSION SPRING
18	2	701-007	O-RING
19	1	701-039	O-RING MK406460
20	1	701-041	O-RING
21	2	830-001	SCREW - SELF-THREAD #8-32X1.7
22	2	830-078	THRU BOLT 8-32 X 8.96
23	1	990-067	STEEL THRUST WASHER
24	2	990-070	NYLATRON WASHER
25	1	2069286	MTR ASSEMBLY 12V 3.25
	1	2069285	MTR ASSEMBLY 12V 3.25
26	1	2032062	TUBE (COMP) - 36"
	1	2032063	TUBE (COMP) - 42"
	1	2032061	TUBE (COMP) - 45"
	1	2032059	TUBE (COMP) - 50"
■	1	1378121	PROPELLER KIT
27	1	2061122	PROPELLER
28	1	2151726	WASHER- 5/16 SS
29	1	2053101	NUT-PROP NYLOC
30	1	2092600	DRIVE PIN
31	1	2266507	BOWPLATE, FW, LONG
	1	2266502	BOWPLATE, FW, STD
32	1	2263905	BLACK MOTOR REST
33	6	2303430	SCREW 1/4-20 X 5/8
34	2	2265667	MOTOR REST DECAL, FW
■	1	2991717	MOUNT, ASSY LONG FW
	1	2991716	MOUNT, ASSY SHORT FW
35	1	2264372	LOWER ARM, FW, STD.
36	4	2266002	NYLINER 3/8" SHAFT
37	3	2260503	PIVOT PIN
40	1	2150405	PULL-GRIP
41	1	2151700	WASHER-EYE SHAFT .562 OD
■	1	2993812	LATCH STRAP ASSY, LONG
	1	2993811	LATCH STRAP ASSY, STD
42	1	2263607	LATCH STRAP, LONG
	1	2263605	LATCH STRAP, STD
43	2	2261902	LATCH BRACKET
44	4	2268602	RIVET 1/8" SS
45	1	2262709	SPRING-LATCH PIN
46	2	2260501	LATCH PIN
47	1	2261544	YOKE-TUBE
48	1	2264272	ARM-UPPER, LONG FW
	1	2264271	ARM-UPPER, SHORT FW
49	2	2263510	BOLT-SHOULDER, SS
50	1	2251601	ROPE- 44.5"
	1	2251603	ROPE- 48"
51	1	2263805	VELCRO STRAP

ITEM	QTY	PART NUMBER	DESCRIPTION
52	1	2267302	BUSHING -LOWER 7/16" ID, SS
53	1	2267303	BUSING - UPPER 3/8" ID, SS
54	1	2263505	BOLT 3/8-16 X 4.25"
55	1	2263114	NYLOCK JAM NUT 3/8-16
56	1	2261892	HING BADE, FW
57	1	2261897	HINGE DOOR, FW
58	1	2260905	SOFT GRIP HANDLE, L&D
59	1	2261728	RETAINING WASHER- 3/8"
60	2	2053415	SCREW #8-32 X 3/8" TRI
61	2	2261732	WASHER #8, NYLON
62	2	2264703	THREADED INSERT
■	1	2992015	TUBE W/BEARING RACE ASSEMBLY 18"
	1	2992012	TUBE W/BEARING RACE ASSEMBLY 21"
	1	2992016	TUBE W/BEARING RACE ASSEMBLY 24"
63	1	2272066	18" TUBE OUTER 4 HOLES
	1	2272069	21" TUBE OUTER 4 HOLES
	1	2272067	24" TUBE OUTER 4 HOLES
64	1	2266260	BEARING RACE
65	1	2266220	STEEL BEARING RACE
66	2	2266000	STEEL BEARING BALL
67	1	2266115	BEARING CONE
68	2	2261622	ALUMINUM HALF-COLLAR
69	2	2263453	SCREW - 1/4X20 X 1"
70	1	2260215	CONTROL BOX COVER
71	6	2372100	SCREW - 8-18 X 5/8 THD
72	1	2275611	DECAL-COVER, EDGE 45/FC
73	1	2260153	POINTER DISC SHORT YELLOW
73A	1	2261733	WASHER-FOAM, INDICATOR
74	1	2265800	DECAL-INDICATOR
75	3	2053414	SCREW-8-32 X 1/2 TRI LOBE
76	1	2267800	GEAR-INDICATOR
77	1	2372100	SCREW-8-18 X 5/8 THD
78	2	2375400	SHRINK TUBE-1/4OD X 1-3/4
79	2	2355410	SHRINK TUBE-3/8 OD X 2
80	1	2232360	PULLEY - CABLE DRUM
81	1	2261730	NYLON A/T WASHER
82	1	2996246	BEARING RACE/ PINION ASSEMBLY
84	2	2263410	SCREW - #8-32 X 5/16
85	1	2994496	FOOT PEDAL/PLUG ASSEMBLY
86	1	2283700	PUSH-BUTTON
87	1	2302732	LOWER PEDAL SPRING
88	1	2264040	MOMENTARY SWITCH
90	2	2262114	MOUNTING/SWITCH SCREW
91	2	2233100	SWITCH MOUNT NUT
92	1	2264026	SWITCH - 5 SPEED
93	1	2261701	LOCKWASHER-STAR
94	1	2263105	HEX NUT
95	1	2261715	SPACER-SWITCH 5 SP MODELS
96	1	2280110	SPEED CONTROL KNOB 5SPD
97	1	2263000	E-RING TRU-ARC
98	1	2260730	CONNECTOR 1/4 MALE TAB
99	1	2332103	SCREW - #6-20 X 3/8

ITEM	QTY	PART NUMBER	DESCRIPTION
100	1	2266413	TENSION SCREW PLATE FOOT PEDAL
103	1	2260511	PIN-PIVOT A/T FOOT PEDAL
104	1	2992104	FOOT PEDAL BASE/PIN ASSEMBLY SONAR
105	1	2262301	PULLEY-FOOT PEDAL
106	1	2266401	COVER-PULLEY STAMPING
107	4	2223430	SCREW-#8X 3/4
108	1	2254031	MOM/OFF/COM SWITCH
109	1	2266412	FOOT PEDAL SWITCH PLATE
110	2	2332103	SCREW - #6-20 X 3/8 THD
113	1	2261208	WIRE HARNESS, A/T FOOT PEDAL
114	1	2267505	RIGHT CABLE ASSEMBLY 5'
115	1	2267515	LEFT CABLE ASSEMBLY 5'
116	1	2265430	CABLE JACKET 5'
118	1	2265115	BOOT-FOOT PEDAL BASE
119	2	2372100	SCREW - #8-18 X 5/8 THD
120	2	2261714	FOOT PEDAL WASHER
121	1	2261901	CONDUIT BRACKET
122	2	2301310	SCREW - #8-18 X 3/4"
123	1	2263210	CONDUIT ADJUSTMENT BRACKET
124	1	2263140	NYLOCK KEEPER
125	1	2263466	SCREW - 1/4-20 X 2
126	1	2261235	LEADWIRE-BATTERY
127	2	2020700	TERMINAL RING, 3/8"
128	1	2256300	BLACK TIE WRAP-5.5"
129	3	2263201	CLAMP WIRE HARNESS MICRO
130	1	2332103	SCREW - #6-20 X 3/8 THD
131	1	2260301	CONNECTING WIRE SWITCH
132	1	2260312	WIRE - BLK W/SHT-19 1/2"
133	1	2260322	WIRE - BLK W/BBLUE -12"
134	1	2263205	LEADWIRE CLAMP
135	2	9953104	SCREW - #8 X 1/2" SS
136	1	2301310	SCREW - #8 - 18 X 1/2" SS
137	1	2262515	CONTROL BOX BOTTOM
139	2	2267800	INDICATOR GEAR
140	1	2262221	YELLOW DRIVE INDICATOR
141	1	2269105	BRACKET/INDICATOR
142	1	2223430	SCREW - #8X 3/4 PPH TYPE 25 SS
■	1	2994838	BAG ASSEMBLY
*143	6	2263462	SCREW 1/4-20X2 SS
*144	6	2261713	WASHER - 1/4 FLAT 18-18
*145	6	2263103	1/4-20 NYLOCK-JAM NUT
147	1	2262310	GUIDE ROPE
■	1	2883460	SEAL & O-RING KIT

■ THIS ITEM IS PART OF AN ASSEMBLY.

*THIS ITEM IS PART OF A KIT AND ONLY LISTED FOR VIEWING PURPOSES.

COMPLIANCE STATEMENTS

ENVIRONMENTAL COMPLIANCE STATEMENT:

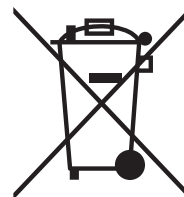
It is the intention of JOME to be a responsible corporate citizen, operating in compliance with known and applicable environmental regulations, and a good neighbor in the communities where we make or sell our products.

WEEE DIRECTIVE:

EU Directive 2002/96/EC “Waste of Electrical and Electronic Equipment Directive (WEEE)” impacts most distributors, sellers, and manufacturers of consumer electronics in the European Union. The WEEE Directive requires the producer of consumer electronics to take responsibility for the management of waste from their products to achieve environmentally responsible disposal during the product life cycle.

WEEE compliance may not be required in your location for electrical & electronic equipment (EEE), nor may it be required for EEE designed and intended as fixed or temporary installation in transportation vehicles such as automobiles, aircraft, and boats. In some European Union member states, these vehicles are considered outside of the scope of the Directive, and EEE for those applications can be considered excluded from the WEEE Directive requirement.

This symbol (WEEE wheelie bin) on product indicates the product must not be disposed of with other household refuse. It must be disposed of and collected for recycling and recovery of waste EEE. Johnson Outdoors Inc. will mark all EEE products in accordance with the WEEE Directive. It is our goal to comply in the collection, treatment, recovery, and environmentally sound disposal of those products; however, these requirements do vary within European Union member states. For more information about where you should dispose of your waste equipment for recycling and recovery and/or your European Union member state requirements, please contact your dealer or distributor from which your product was purchased.



DISPOSAL:

Minn Kota motors are not subject to the disposal regulations EAG-VO (electric devices directive) that implements the WEEE directive. Nevertheless never dispose of your Minn Kota motor in a garbage bin but at the proper place of collection of your local town council.

Never dispose of battery in a garbage bin. Comply with the disposal directions of the manufacturer or his representative and dispose of them at the proper place of collection of your local town council.

WARNING: This product contains chemicals known to the State of California to cause cancer and birth defects or other reproductive harm.

RECOMMENDED ACCESSORIES

ON-BOARD & PORTABLE BATTERY CHARGERS

Stop buying new batteries and start taking care of the ones you've got. Many chargers can actually damage your battery over time – creating shorter run times and shorter overall life. Digitally controlled Minn Kota chargers are designed to provide the fastest charge that protect and extend battery life.



MK345PC



MK212D



MK105P

TALON SHALLOW WATER ANCHOR

Talon deploys faster, holds stronger and runs quieter than any other shallow water anchor. Available in depths up to 12' and bold color options, it boasts an arsenal of features and innovations that no other anchor can touch:



- Vertical, multi-stage deployment
- User-Selectable Anchoring Modes
- 2x Anchoring Force
- Fast Deploy
- Auto Up/Down
- Triple Debris shields*
- Built-In Wave Absorption
- Noise Dissipation
- Versatile Adjustments

*available on 10' and 12' models only

MINN KOTA ACCESSORIES

We offer a wide variety of trolling motor accessories, including:



- 60-Amp Circuit Breaker
- Mounting Brackets
- Stabilizer Kits
- Extension Handles
- Battery Connectors
- Battery Boxes
- Quick Connect Plugs

For a complete listing of Minn Kota accessories, visit minnkotamotors.com

Follow us:



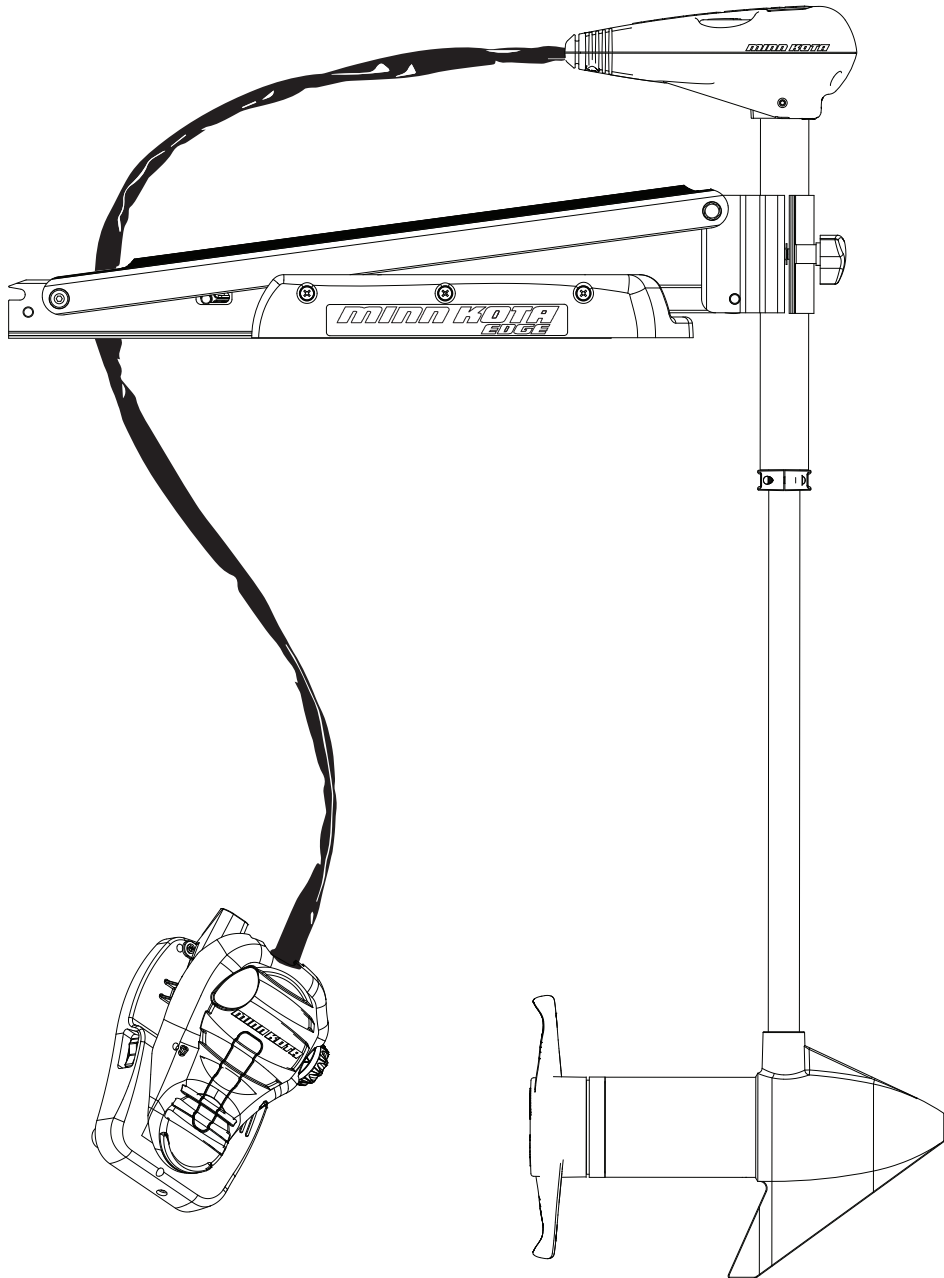
minnkotamotors.com

Minn Kota Consumer & Technical Service
Johnson Outdoors Marine Electronics, Inc.
PO Box 8129
Mankato, MN 56001

121 Power Drive
Mankato, MN 56001
Phone (800) 227-6433
Fax (800) 527-4464



©2014 Johnson Outdoors Marine Electronics, Inc.
All rights reserved.



EDGE

MOTEUR DE PÊCHE À LA TRAÎNE
MONTÉ SUR L'ÉTRAVE

MANUEL DE L'UTILISATEUR

MANUEL CE D'UN MASTER (CE/C-TICK CERTIFIED MODELS)

Conforme à la norme 89/336/EEC (EMC) selon les normes EN 55022A, EN 50082-2 depuis 1996 LN V9677264

MERCI

Nous vous remercions d'avoir choisi Minn Kota. Nous sommes persuadés que vous devriez consacrer plus de temps à pêcher et moins de temps à amarrer votre embarcation. C'est pourquoi nous construisons les propulseurs électriques les plus intelligents, les plus solides et les plus intuitifs. Chaque aspect d'un propulseur électrique Minn Kota est envisagé et étudié jusqu'à ce qu'il soit digne de porter notre nom. Des heures incalculables de recherche et d'essai vous assurent les avantages d'un article Minn Kota qui vous mènera n'importe où, et n'importe quand. Notre principe est simple, nous faisons les choses selon les règles. Nous sommes Minn Kota. Et nous ne cesserons jamais de vous aider à pêcher plus de poissons.

N'OUBLIEZ PAS DE CONSERVER VOTRE REÇU ET D'ENREGISTRER IMMÉDIATEMENT VOTRE PROPULSEUR ÉLECTRIQUE.

Un formulaire d'enregistrement est compris ou vous pouvez remplir le formulaire d'enregistrement par Internet sur le site Web minnkotamotors.com.

REMARQUE : ne pas retourner le moteur Minn Kota au détaillant. Le détaillant n'est pas autorisé à réparer ou à remplacer cet appareil. Pour le service : communiquer avec Minn Kota au +1 (800) 227-6433; retourner le moteur au Centre de service de l'usine de Minn Kota; envoyer ou apporter le moteur à un centre de service agréé de Minn Kota. Une liste de centres de service agréés est disponible sur notre site Web minnkotamotors.com. Pour obtenir un service au titre de la garantie, y compris toutes les options susmentionnées, veuillez inclure la preuve d'achat, le numéro de série et la date de l'achat.

Veillez lire attentivement ce manuel de l'utilisateur. Suivre toutes les instructions et tenir compte de toutes les consignes de sécurité et les mises en garde décrites ci-dessous. L'utilisation de ce moteur n'est autorisée que pour les personnes qui ont lu et compris ces consignes pour l'utilisateur. Les personnes mineures peuvent utiliser ce moteur uniquement sous la supervision d'un adulte.

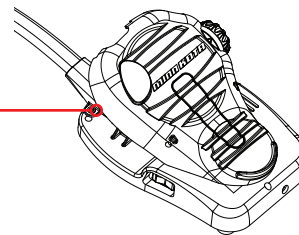
ATTENTION : ne jamais faire fonctionner le moteur hors de l'eau, puisque cela entraînerait des blessures causées par l'hélice en rotation. Le moteur doit être débranché de la source d'alimentation lorsqu'il n'est pas utilisé ou lorsqu'il est hors de l'eau. Au moment de brancher les câbles d'alimentation du moteur à la batterie, veiller à ce qu'ils ne soient pas entortillés ou exposés au frottement, puis les placer de telle manière que les personnes ne puissent pas faire trébucher. Avant d'utiliser le moteur, s'assurer que l'isolant des câbles d'alimentation n'est pas endommagé. Ne pas tenir compte de ces mesures de sécurité peut entraîner des courts-circuits avec les batteries et/ou le moteur. Toujours débrancher le moteur des batteries avant le nettoyage ou la vérification de l'hélice. Éviter de submerger complètement le moteur, car l'eau pourrait pénétrer dans l'unité inférieure par la tête de contrôle et l'arbre. Si le moteur est utilisé alors que de l'eau est présente dans l'unité inférieure, ce dernier pourrait subir des dommages considérables. Ces dommages ne seront pas couverts par la garantie.

ATTENTION : veillez à ce que ni vous, ni les autres personnes ne s'approchent trop près de l'hélice en rotation, que ce soit seulement avec une partie du corps ou des objets. Le moteur est puissant et pourrait provoquer des situations périlleuses ou des blessures, pour vous ou les autres. Lorsque le moteur est en marche, se méfier des objets flottants ou des personnes qui pourraient être en train de nager. Les personnes, dont les réactions ou la capacité à faire fonctionner le moteur est/sont affaiblie (s) par l'alcool, la drogue, les médicaments ou d'autres substances, ne sont pas autorisées à utiliser ce moteur. Ce moteur n'est pas adapté à l'utilisation dans de forts courants. Le niveau de pression sonore constant du moteur au moment de l'utilisation est inférieur à 70 dB (A). Le niveau de vibration général ne dépasse pas 2,5 m/s².

LOCALISATION DU NUMÉRO DE SÉRIE

Le numéro de série à 11 caractères Minn Kota est très important. Il permet de déterminer le modèle spécifique et l'année de fabrication. Lorsque vous contactez le service à la clientèle ou que vous enregistrez votre article, vous aurez besoin du numéro de série de votre article. Nous vous suggérons d'inscrire le numéro de série dans l'espace fourni ci-dessous afin qu'il soit disponible ultérieurement.

Le numéro de série de votre moteur Edge se trouve près de le commutateur momentané, sous le côté de la pédale.



Modèle : _____

Numéro de série : _____

Date de l'achat : _____

Magasin où l'achat a été effectué : _____

TABLE DES MATIÈRES

Garantie Limitée de Deux Ans	24
Caractéristiques	25
Installation du Support	26-27
Installation de la Batterie et du Câblage	28-29
Grément de l'embarcation et Installation du Produit	28
Tableau des Dimensions de Gabarit des Conducteurs et Disjoncteurs	28
Sélectionner une Batterie Adéquate	29
Comment raccorder la Batterie	29
Schéma de Câblage du Moteur	30
Utilisation et Réglage du Moteur	31-33
L'arrimage et le Déploiement du Moteur	31
Pour Ajuster la Profondeur du Moteur	32
Ajustement du Câble de Direction	32
Contrôle de la Vitesse et de la Direction avec la Pédale	33
Service et Entretien	34
Remplacement de l'Hélice	34
Entretien Général	34
Dépannage et Réparation	35
Schéma des Pièces	36
Liste des Pièces	37
Déclaration de Conformité	38
Remarques	39

GARANTIE LIMITÉE DE DEUX ANS

GARANTIE DES PROPULSEURS ÉLECTRIQUES POUR EAU DOUCE

Johnson Outdoors Marine Electronics, Inc. (« JOME ») offre la garantie limitée suivante uniquement à l'acheteur au détail initial. La garantie n'est pas transférable.

GARANTIE LIMITÉE DE DEUX ANS DE MINN KOTA SUR L'ENSEMBLE DU PRODUIT

JOME garantit uniquement à l'acheteur au détail initial que son nouveau propulseur électrique pour eau douce Minn Kota est exempt de défauts résultant d'un vice de fabrication et de main-d'œuvre pouvant survenir au cours des deux (2) ans suivant la date d'achat. JOME se réserve le droit de réparer ou de remplacer, au choix et gratuitement, toute pièce pouvant s'avérer défectueuse pendant la durée de la présente garantie. Cette réparation ou ce remplacement est l'unique et exclusive responsabilité de JOME et constitue le seul recours de l'acheteur pour tout manquement à la présente garantie.

GARANTIE À VIE LIMITÉE DE MINN KOTA SUR L'ARBRE COMPOSITE

JOME garantit uniquement à l'acheteur au détail initial que l'arbre composite de son propulseur électrique Minn Kota est exempt de défauts résultant d'un vice de fabrication et de main-d'œuvre pouvant survenir au cours de la durée de vie de l'acheteur initial. JOME fournira, gratuitement, un arbre composite neuf pour remplacer tout arbre composite pouvant s'avérer défectueux pendant la durée de la présente garantie. Fournir un arbre composite neuf sera la seule et exclusive responsabilité de JOME et le seul et unique recours de l'acheteur pour tout manquement à la présente garantie; et l'acheteur sera responsable de l'installation ou du coût de la main-d'œuvre pour l'installation de tout arbre composite neuf, fourni par JOME.

EXCLUSIONS & LIMITATIONS

La présente garantie limitée ne s'applique pas aux produits qui ont été utilisés en eau salée, en eau saumâtre ou à des fins commerciales ou locatives. Cette garantie ne couvre pas l'usure normale, les imperfections qui n'affectent pas le fonctionnement du moteur, ni les dommages causés par les accidents, l'abus, l'altération, la modification, les dommages durant le transport, les désastres naturels, la négligence de l'utilisateur, l'utilisation abusive, un soin ou un entretien inadéquat. **LES DOMMAGES CAUSÉS PAR L'UTILISATION DE PIÈCES DE REMPLACEMENT NON CONFORMES AUX SPÉCIFICATIONS DE CONCEPTION DES PIÈCES ORIGINALES NE SONT PAS COUVERTS PAR LA PRÉSENTE GARANTIE LIMITÉE.** Le coût de l'entretien normal ou des pièces de rechange qui ne contreviennent pas à la garantie limitée incombe à l'acheteur. Avant utilisation, l'acheteur doit déterminer si le produit convient à l'emploi prévu et assume tous les risques et responsabilités connexes. Toute assistance fournie par JOME à l'acheteur ou au nom de ce dernier hors du cadre des modalités, des restrictions et des exclusions de la présente garantie limitée ne constitue pas une renonciation à l'égard de telles modalités, restrictions ou exclusions, et une telle assistance n'aura pas pour effet de prolonger ni de restaurer la garantie. JOME ne remboursera aucune dépense encourue par l'acheteur dans le cadre de la réparation, de la correction ou du remplacement de pièces ou de produits défectueux, à l'exception des dépenses engagées sur consentement écrit préalable de JOME. **LA RESPONSABILITÉ GLOBALE DE JOME À L'ÉGARD DES PRODUITS COUVERTS PAR LA GARANTIE EST LIMITÉE À UN MONTANT ÉQUIVALENT AU PRIX D'ACHAT PAYÉ POUR LE PRODUIT EN QUESTION.**

INFORMATION SUR LE SERVICE MINN KOTA

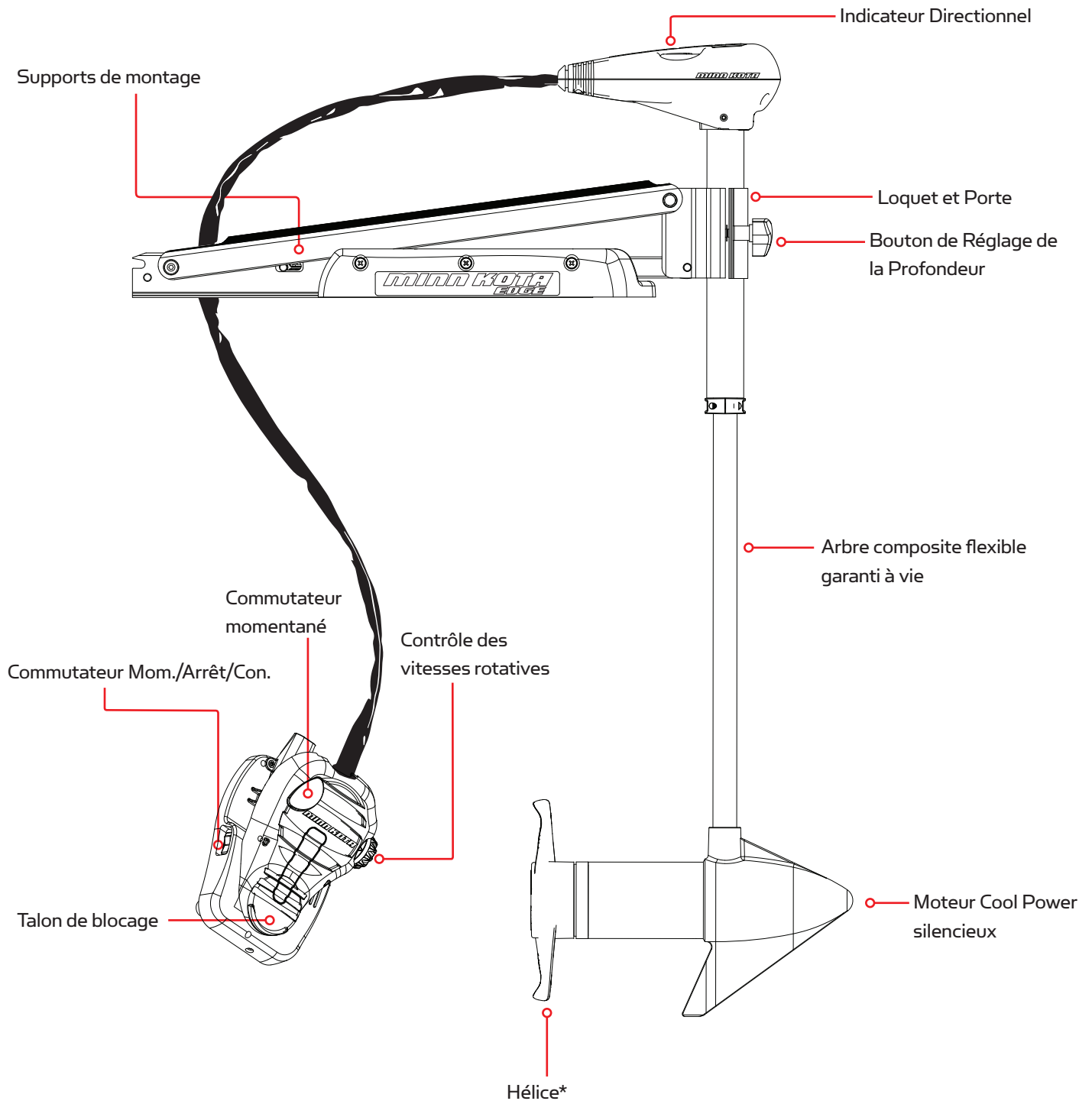
Pour obtenir le service au titre de la garantie aux États-Unis, le produit jugé défectueux et la preuve d'achat originale (comportant la date d'achat), doivent être présentés à un centre de service agréé Minn Kota ou au centre de service de l'usine de Minn Kota à Mankato, au Minnesota. Tous les frais encourus pour des appels de service, de transport ou d'expédition à destination ou à partir du centre de service agréé ou de l'usine Minn Kota, de main-d'œuvre pour transporter, retirer, réinstaller ou regérer les articles retirés pour le service de garantie, ou tout autre élément similaire, sont sous la seule et unique responsabilité unique et exclusive de l'acheteur. Les articles achetés à l'extérieur des États-Unis doivent être retournés, port payé avec la preuve d'achat (y compris la date d'achat et le numéro de série), à tout centre de service agréé Minn Kota dans le pays de l'achat. Le service au titre de la garantie peut être obtenu en communiquant avec le centre de service agréé de Minn Kota ou l'usine au +1 (800) 227-6433 ou par courriel à l'adresse suivante service@minnkotamotors.com. Les produits réparés ou remplacés seront garantis pour la durée restante de la période de garantie initiale [ou pendant 90 jours à compter de la date de réparation ou de remplacement, la période la plus longue étant retenue]. Tout produit retourné aux fins de services en vertu de la garantie qui, selon JOME, n'est pas couvert par la garantie limitée ou n'y contrevient pas sera facturé pour les services rendus au taux horaire de main-d'œuvre affiché en vigueur, pour une facturation minimale d'une heure.

REMARQUE: ne pas retourner l'article Minn Kota au détaillant. Le détaillant n'est pas autorisé à le réparer ou à le remplacer.

IL N'Y A AUCUNE GARANTIE EXPRESSE AUTRE QUE LES PRÉSENTES GARANTIES LIMITÉES. AUCUNE GARANTIE IMPLICITE, Y COMPRIS QUELQUE GARANTIE IMPLICITE DE QUALITÉ MARCHANDE OU D'ADÉQUATION À UN USAGE PARTICULIER, NE SE PROLONGERA AU-DELÀ DE LA DURÉE DE LA PRÉSENTE GARANTIE LIMITÉE EXPRESSE. JOME NE POURRA EN AUCUNE FAÇON ÊTRE TENUE RESPONSABLE DES DOMMAGES PUNITIFS, INDIRECTS, ACCESSOIRES, CONSÉCUTIFS OU PARTICULIERS. Sans limiter la portée de ce qui précède, JOME décline toute responsabilité en cas de perte d'utilisation du produit, perte de temps, d'inconvénient et d'autre dommage.

Certains états ne permettent pas de limites sur la durée d'une garantie implicite ou l'exclusion ou limitation des dommages accessoires ou indirects, donc, les limitations ou exclusions ci-dessus peuvent ne pas s'appliquer à vous. La présente garantie vous donne des droits légaux spécifiques et vous pouvez également bénéficier d'autres droits qui varient d'un État à l'autre.

CARACTÉRISTIQUES



Les spécifications sont sujettes à changement sans préavis.

*Le schéma est fourni aux fins de référence seulement et peut différer de votre moteur actuel.

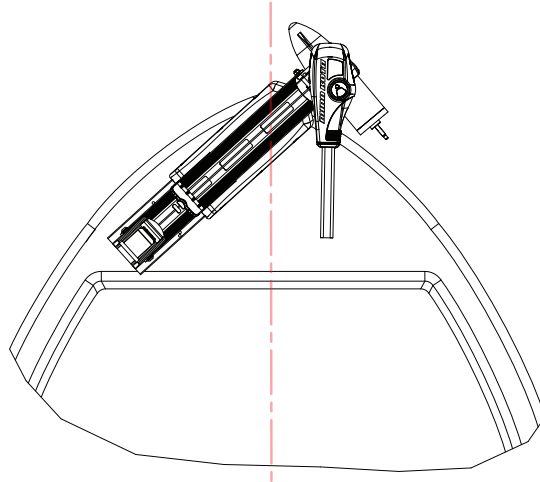
INSTALLATION DU SUPPORT

OUTILS ET RESSOURCES NÉCESSAIRES :

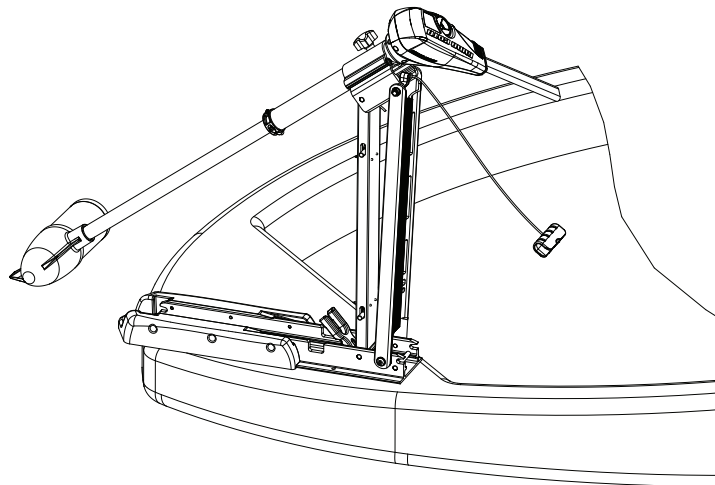
- Tournevis Phillips
- Perceuse
- Mèche de 7,144 mm (9/32")
- Clé à oeil de 11 mm (7/16 ")
- Une deuxième personne pour vous aider avec l'installation

1. Avant de procéder, déterminez l'emplacement désiré pour le montage du moteur. Nous recommandons que le moteur soit monté aussi près que possible de l'axe des bateaux tel qu'illustré ci-dessous.

MISE EN GARDE : Assurez-vous que le moteur est installé sur une surface plane et n'est pas branché à une source d'alimentation.



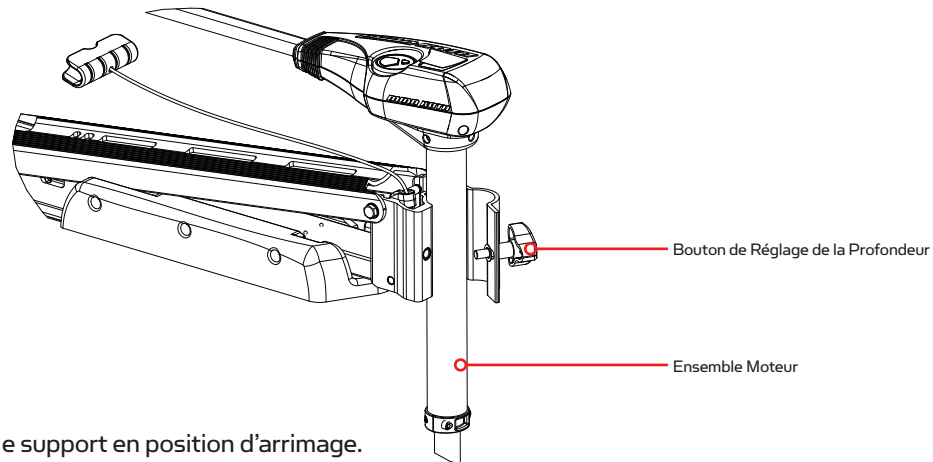
2. Vérifiez que la zone sous l'emplacement choisi pour le montage est dégagée et qu'il n'y a pas de danger pour percer.
3. Placez le moteur, en position d'arrimage, sur le dessus de l'emplacement de montage désiré.
4. Vérifiez que le support du moteur est positionné assez loin au-dessus du bord du bateau, afin que le moteur soit dégagé de tout obstacle lors du déploiement et de l'arrimage du moteur.



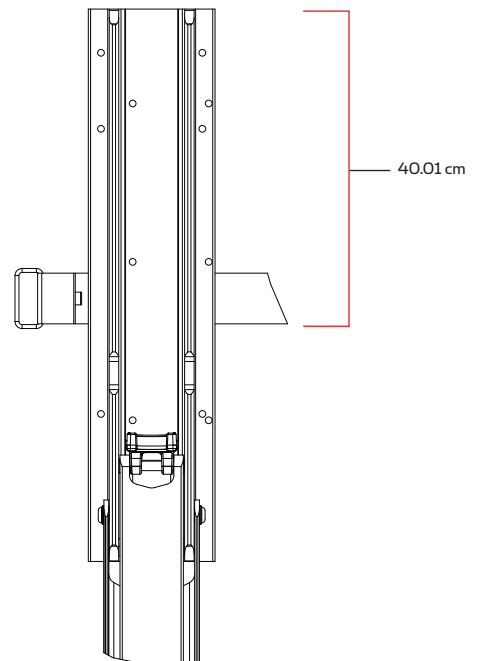
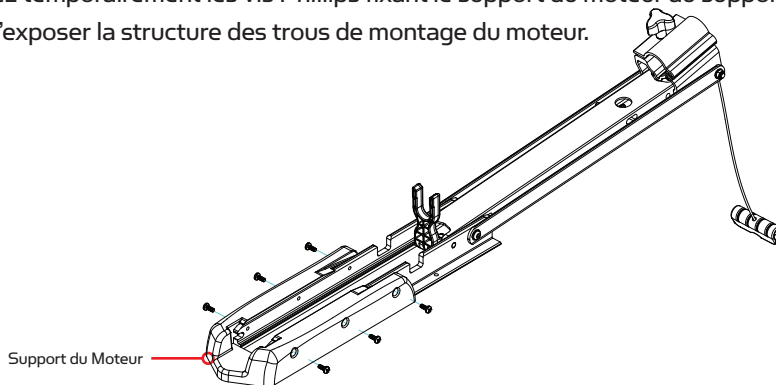
5. Déployez le moteur et retirez l'assemblage du moteur du support en desserrant le bouton de réglage de profondeur et en ouvrant la porte.

AVERTISSEMENT! :

Lorsque vous remontez ou abaissez le moteur, gardez vos doigts loin de toutes charnières et points de pivot et de toutes pièces mobiles.



6. Positionnez de nouveau le support en position d'arrimage.
7. Retirez temporairement les vis Phillips fixant le support du moteur au support de montage, et retirez le support du moteur afin d'exposer la structure des trous de montage du moteur.



8. Déterminez la structure du trou de montage que vous souhaitez utiliser à partir de l'illustration ci-dessous. En utilisant les trous de montage dans le support comme modèle, marquez le pont supérieur du bateau avec un crayon ou un marqueur effaçable.
9. Retirez le support du pont du bateau et percez les trous que vous avez marqué à l'étape précédente en utilisant la perceuse et une mèche de 7,144 mm (9/32"). Soyez prudent afin de n'endommager aucun des câbles ou des caractéristiques essentielles qui pourraient se trouver sous la surface où vous allez percer.
10. Fixez à nouveau l'installation sur le pont du bateau et vérifiez que la courroie de retenue est placée à 40 cm (15 3/4 po) de l'avant de l'étrave, tel qu'illustré sur le schéma.
11. Fixez l'installation sur le pont du bateau en utilisant les boulons de ... cm - 20 x 51 mm (20 X 2") , rondelles et écrous qui sont fournis. Ajustez solidement, mais doucement l'équipement de support en acier inoxydable au pont du bateau en utilisant une clé à oeil de 11 mm (7/16"). Ajuster l'équipement de support en acier inoxydable trop rapidement pourrait faire en sorte que les boulons et écrous soient grippés et ou saisis.
12. Réinstallez le support du moteur en utilisant les six vis Phillips originales de 6,4 mm (1/4").
13. Réinstallez l'assemblage du moteur dans le support et fixez solidement le bouton de réglage de profondeur.

INSTALLATION DES BATTERIES ET DU CÂBLAGE

GRÉEMENT DE L'EMBARCATION ET INSTALLATION DU PRODUIT

Pour des raisons de sécurité et de conformité, nous vous recommandons de suivre les normes du conseil américain sur les embarcations et les yachts (ABYC) pour le gréement de l'embarcation. Les altérations dans le câblage de l'embarcation devraient être complétées par un technicien de marine qualifié. Les spécifications suivantes sont seulement des lignes directrices générales:

MISE EN GARDE! ces lignes directrices s'appliquent au gréement général pour soutenir le moteur de Minn Kota. L'alimentation de multiples moteurs ou d'autres appareils électriques, à partir du même circuit d'alimentation, peut influencer sur le gabarit de conducteurs et le dimensionnement des disjoncteurs recommandé. Pour un fil plus long que celui fourni avec l'appareil, suivre le tableau de dimensionnement de gabarit des conducteurs et des disjoncteurs du tableau ci-dessous. Si la longueur totale de la rallonge est de plus de 25 pi (7,60 m), nous vous recommandons de communiquer avec un technicien maritime qualifié.

Un dispositif de protection contre la surintensité (disjoncteur ou fusible) doit être utilisé. Les préalables de la garde côtière exigent que chaque conducteur de courant, qui n'est pas fixé, soit protégé par un fusible ou un disjoncteur qui se réinitialise manuellement et qui ne peut se déclencher automatiquement. Le dimensionnement du type (courant et tension de puissance nominale) de fusible ou de disjoncteur doit être choisi en fonction du propulseur électrique utilisé. Le tableau ci-dessous donne les lignes directrices recommandées pour ce qui est du dimensionnement des disjoncteurs.

Référence :

Le code des règlements fédéraux des États-Unis : article 183 du titre 33 du CFR - Embarcations et équipements associés ABYC E-11 : systèmes électriques CA et CC sur les embarcations.

TABLEAU DES DIMENSIONS DE GABARIT DES CONDUCTEURS ET DISJONCTEURS

Modèle / poussée du moteur	Courant Tiré Max	Disjoncteur	Longueur de la Rallonge*				
			1.5 mètres	3 mètres	4.5 mètres	6 mètres	7.5 mètres
30 lb.	30	50 Amp @ 12 VDC	5 mm	5 mm	8 mm	13 mm	21 mm
40 lb., 45 lb.	42		5 mm	8 mm	13 mm	21 mm	21 mm
50 lb., 55 lb.	50	60 Amp @ 12 VDC	8 mm	13 mm	21 mm	21 mm	33 mm
70 lb.	42	50 Amp @ 24 VDC	5 mm	5 mm	8 mm	8 mm	13 mm
80 lb.	56	60 Amp @ 24 VDC	8 mm	8 mm	8 mm	13 mm	13 mm
101 lb.	46	50 Amp @ 36 VDC	8 mm	8 mm	8 mm	8 mm	8 mm
Engine Mount 101	50	60 Amp @ 36 VDC	8 mm	13 mm	21 mm	21 mm	33 mm
112 lb.	52	60 Amp @ 36 VDC	8 mm	8 mm	8 mm	8 mm	8 mm
Engine Mount 160	116	(2) x 60 Amp @ 24 VDC	33 mm	33 mm	33 mm	33 mm	33 mm
E-Drive	40	50 Amp @ 48 VDC	5 mm	5 mm	5 mm	5 mm	5 mm

Le présent tableau des dimensions de gabarit des conducteurs et disjoncteurs est uniquement valable pour les hypothèses suivantes:

1. Il n'y a pas plus de 3 conducteurs qui sont regroupés à l'intérieur d'une gaine ou d'un conduit à l'extérieur de l'espace moteur.
2. Chaque conducteur est muni d'un isolant d'une température nominale de 105 °C.
3. Aucune chute de tension de plus de 5 % n'est autorisée lorsque le moteur est à plein régime, en fonction des exigences en matière d'alimentation du produit qui ont été publiées.

***La longueur de la rallonge fait référence à la distance séparant les batteries des fils du propulseur électrique.**

SÉLECTIONNER UNE BATTERIE ADÉQUATE

Le moteur fonctionnera avec toute batterie marine plomb/acide à décharge profonde de 12 volts. Pour un meilleur résultat, utiliser une batterie marine à décharge profonde avec ampérage nominal d'au moins 105 ampères/heure. Selon une estimation générale effectuée sur l'eau, votre moteur de 12 volts utilisera un ampère par heure et votre moteur de 24 volts, 0,75 ampère par heure, pour chaque coup de poussée produite lorsque le moteur tourne à plein régime. L'ampérage réel utilisé est en fonction des conditions environnementales spécifiques et des exigences de fonctionnement. Maintenir la batterie complètement chargée. Un entretien adéquat fera en sorte que le courant sera disponible le moment venu et améliorer considérablement la durée de vie de la batterie. Le fait de ne pas recharger les batteries au plomb (dans les 12 à 24 heures) est la principale cause de défaillance prématurée de celles-ci. Utiliser un chargeur à taux variable afin d'éviter une surcharge. Nous offrons une vaste sélection de chargeurs en fonction de vos besoins. Si vous utilisez une batterie à manivelle pour démarrer un moteur hors-bord à essence, nous vous recommandons d'utiliser des batteries marines à décharge profonde séparées pour votre propulseur électrique Minn Kota.

Conseils concernant les batteries :

- ne jamais brancher les bornes (+) et (-) de la batterie ensemble. S'assurer qu'aucun objet métallique ne puisse tomber sur la batterie et provoquer un court-circuit aux bornes. Cela provoquerait immédiatement un court-circuit et un risque extrême d'incendie.
- Il est fortement recommandé d'utiliser un disjoncteur ou un fusible avec ce propulseur électrique. Consulter le « Tableau des dimensions de gabarit des conducteurs et disjoncteurs » dans la section précédente pour trouver le disjoncteur ou fusible approprié convenant à votre moteur. Pour les moteurs nécessitant un disjoncteur de 60-A, le disjoncteur Minn Kota MKR-19 60-A est recommandé.

COMMENT RACCORDER LA BATTERIE

SYSTÈMES DE 12 VOLTS:

1. S'assurer que le moteur est coupé (sélecteur de vitesse sur « 0 »).
2. Raccorder le fil rouge positif (+) à la borne positive (+) de la batterie.
3. Raccorder le fil noir négatif (-) à la borne négative (-) de la batterie.
4. Pour des raisons de sécurité, ne pas allumer le moteur jusqu'à ce que l'hélice soit dans l'eau.

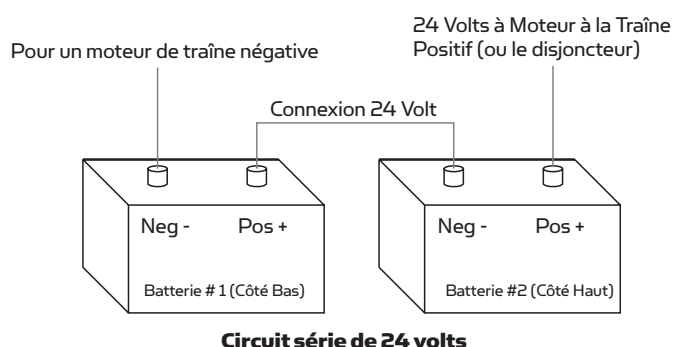
MISE EN GARDE

Pour des raisons de sécurité, débrancher le moteur des batteries lorsque le moteur n'est pas utilisé ou pendant la charge.

COMMENT BRANCHER LES BATTERIES

SYSTÈMES DE 24 VOLTS :

1. Assurez-vous que le moteur est éteint (sélecteur de vitesse sur "0").
2. Deux batteries de 12 volts sont nécessaires.
3. Les batteries doivent être branchées en série, uniquement tel qu'illustré dans le schéma de câblage, afin de fournir 24 volts.
 - a. Branchez un câble de raccordement à la borne positive (+) de la batterie 1 et à la borne négative (-) de la batterie 2.
 - b. Branchez le fil rouge positif (+) à la borne positive (+) sur la batterie 2.
 - c. Branchez le fil noir négatif (-) à la borne négative (-) de la batterie 1.
4. Pour des raisons de sécurité, n'allumez pas le moteur jusqu'à ce que l'hélice soit dans l'eau. Si vous installez un raccordement en fil de plomb, respectez les polarités appropriées et suivez les instructions qui se trouvent dans votre manuel du propriétaire du bateau. Voir le schéma de câblage sur les pages suivantes.



CAUTION

- **Pour des raisons de sécurité, débrancher le moteur des batteries lorsque le moteur n'est pas utilisé ou pendant la charge.**
- **Une mauvaise installation du câblage des systèmes de 24/36 volts pourrait provoquer une explosion des batteries!**
- **Gardez les écrous papillons de raccordement solides et bien serrés autour des bornes de la batterie.**
- **Installez la batterie dans un compartiment ventilé.**

UTILISATION ET RÉGLAGE DU MOTEUR

L'ARRIMAGE ET LE DÉPLOIEMENT DU MOTEUR

AVERTISSEMENT! : Lorsque vous remontez ou abaissez le moteur, gardez vos doigts loin de toutes charnières et points de pivot et de toutes pièces mobiles.

CARACTÉRISTIQUES DU SUPPORT

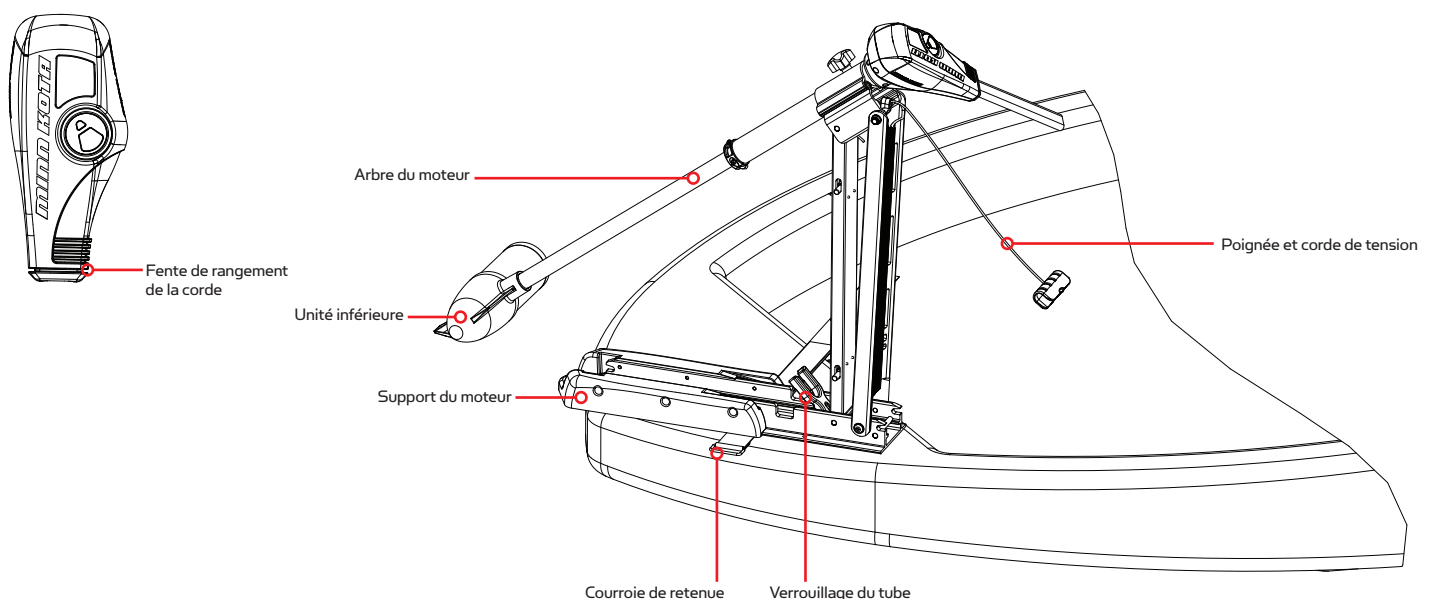
- Le support Edge est conçu pour se replier et verrouiller le moteur à plat sur le pont, lorsqu'il n'est pas utilisé, et pour fournir un arrimage sûr pour le transport.
- La poignée et corde de traction libère la barre de verrouillage, qui s'active automatiquement lorsque l'appareil est abaissé ou élevé en position. La poignée et corde de traction doit être utilisée à la fois pour abaisser et remonter l'appareil.
- Le support du moteur positionne l'appareil inférieur puisqu'il se retrouve en contact avec le nez du support et le guide sur le support du moteur.
- Le verrouillage du tube retient l'arbre du moteur et maintient l'unité inférieure centrée sur le support du moteur.
- La sangle de Velcro doit être utilisée pour faire de la pression sur l'arbre du moteur afin de fixer solidement l'unité inférieure au support du moteur lorsqu'il est arrimé.
- La poignée et corde de traction peut être entreposée en plaçant la poignée de traction sur le dessus du tube de verrouillage ou dans la fente de rangement de la corde sur le boîtier de commande du moteur.

POUR DÉPLOYER LE MOTEUR

Vous n'avez qu'à tirer et soulever le moteur hors du support à l'aide de la poignée et corde de traction. Abaissez le moteur dans l'eau en utilisant la poignée et corde de traction. Le moteur va se verrouiller en position déployée automatiquement.

POUR ARRIMER LE MOTEUR

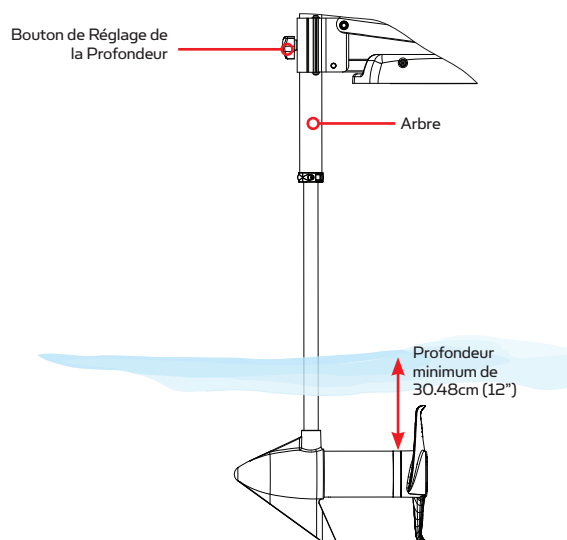
Vous n'avez qu'à tirer et soulever le moteur hors de l'eau à l'aide de la poignée et corde de traction. Abaissez l'unité inférieure sur le support du moteur à l'aide de la poignée et corde de traction. Le moteur va se verrouiller en position arrimée automatiquement. Enroulez la sangle de Velcro au-dessus du sommet de l'arbre du moteur afin de fixer le moteur.



POUR AJUSTER LA PROFONDEUR DU MOTEUR

L'extrémité de l'hélice doit être immergée à au moins 30,5 cm (12 po), afin d'éviter de remuer ou d'agiter l'eau à la surface.

1. Une fois le moteur en position immergée, empoignez l'arbre externe ou la tête de contrôle et sécurisez fermement.
2. Desserrez le bouton de réglage de profondeur jusqu'à ce que l'arbre glisse librement.
3. Remontez ou abaissez le moteur à la profondeur désirée.
4. Tournez la tête de contrôle du moteur à la position désirée.
5. Serrez le bouton de réglage de profondeur afin de fixer solidement le moteur.

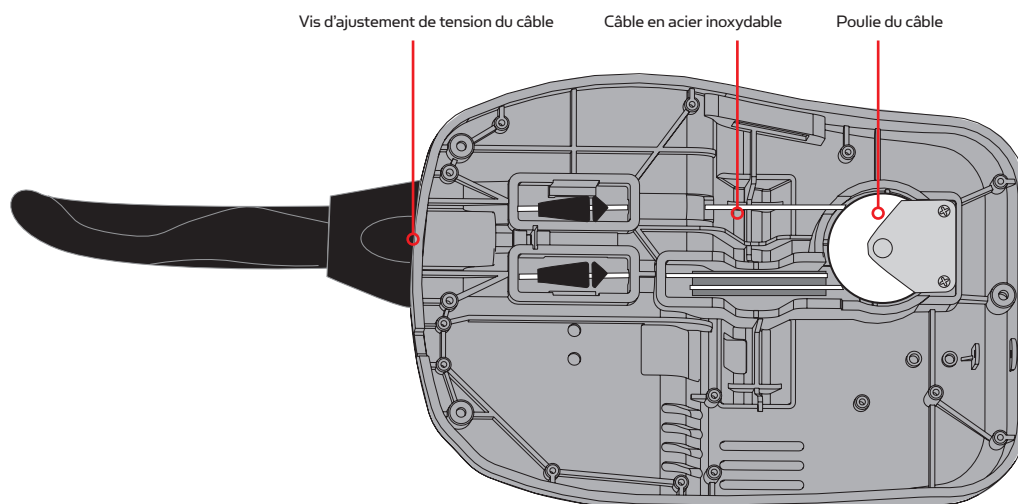


AJUSTEMENT DU CÂBLE DE DIRECTION

La tension du câble de direction est pré-réglée à la manufacture, mais devra être ajustée occasionnellement due à l'usage normal.

Ajustez la tension des câbles en tournant la vis d'ajustement de tension (vis Phillips à tête cylindrique bombée), située près de l'extrémité inférieure de la pédale, juste sous le couvercle du câble de direction.

Tourner la vis en sens horaire pour augmenter la tension et en sens anti-horaire pour diminuer la tension.

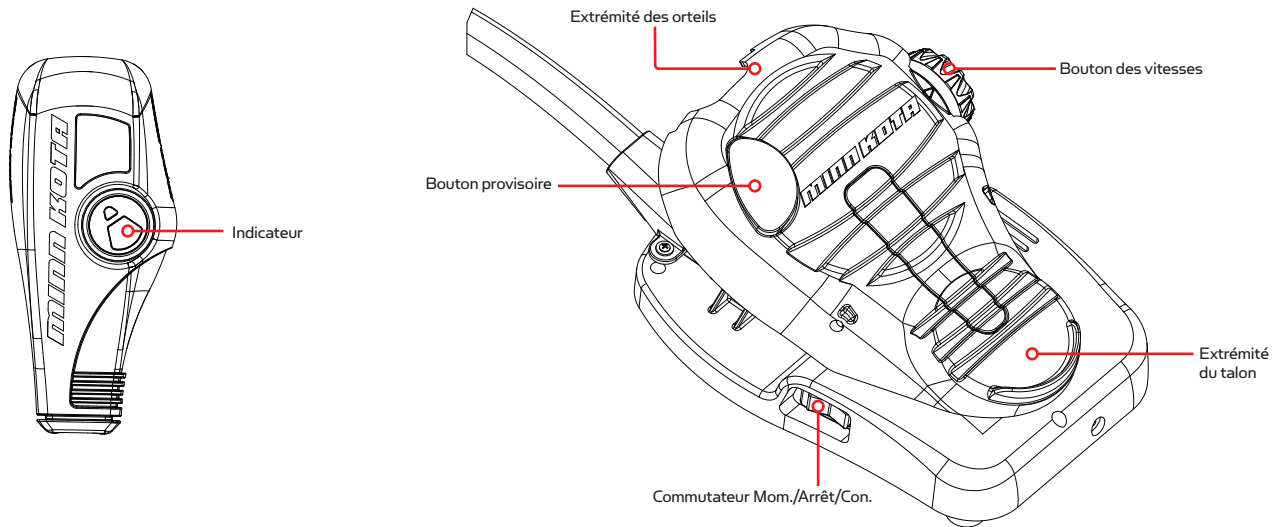


REMARQUE :

Si le câble est trop lâche, il pourrait débrayer le tambour couvert dans le boîtier de commande ou la poulie dans la pédale.

CONTRÔLE DE VITESSE ET DE DIRECTION AVEC LA PÉDALE

La plupart des contrôles sur la pédale sont faciles à faire fonctionner soit avec la main ou le pied :



POUR AJUSTER LA VITESSE DU MOTEUR

Tournez le bouton des vitesses en sens horaire pour augmenter la vitesse et en sens anti-horaire pour diminuer la vitesse.

POUR FAIRE FONCTIONNER LE MOTEUR EN MODE CONTINU

Appuyez sur le commutateur Mom./Arrêt/Con. sur le côté de la pédale en position Con.

POUR FAIRE FONCTIONNER LE MOTEUR EN MODE MOMENTANÉ

Appuyez sur le commutateur Mom./Arrêt/Con. sur le côté de la pédale en position Mom. Un toucher de l'orteil sur le bouton Momentané sur la pédale fera maintenant démarrer le moteur. Diminuer la pression vers le bas sur le bouton momentané va arrêter le moteur.

POUR TOURNER À GAUCHE OU À DROITE

Enfonchez l'extrémité des orteils sur la pédale vers le bas pour tourner à droite et enfoncez l'extrémité du talon de la pédale vers le bas pour tourner à gauche. L'indicateur sur la tête du moteur affiche la direction du moteur. Le moteur ne peut pas maintenir le cap tout seul. Vous devez garder votre pied sur la pédale pour contrôler le gouvernail pendant la manœuvre.

POUR INVERSER LE SENS DANS LEQUEL EST LE MOTEUR

Le moteur se déplace toujours dans la direction qui s'affiche sur l'indicateur. Vous pouvez inverser le sens dans lequel est le moteur en tournant le moteur à 180° à partir de l'avant.

MISE EN GARDE :

- **Mettre le commutateur Mom./Arrêt/Con. sur « off » lorsqu'il n'est pas utilisé. Si le contrôle du moteur est laissé en marche et que la rotation de l'hélice est bloquée, cela peut endommager sérieusement le moteur.**
- **Assurez-vous d'éteindre le moteur après chaque utilisation.**
- **Pour des raisons de sécurité, débranchez le moteur des batteries lorsque le moteur n'est pas utilisé ou pendant la charge.**

SERVICE ET ENTRETIEN

REPLACEMENT DE L'HÉLICE

OUTILS ET RESSOURCES NÉCESSAIRES:

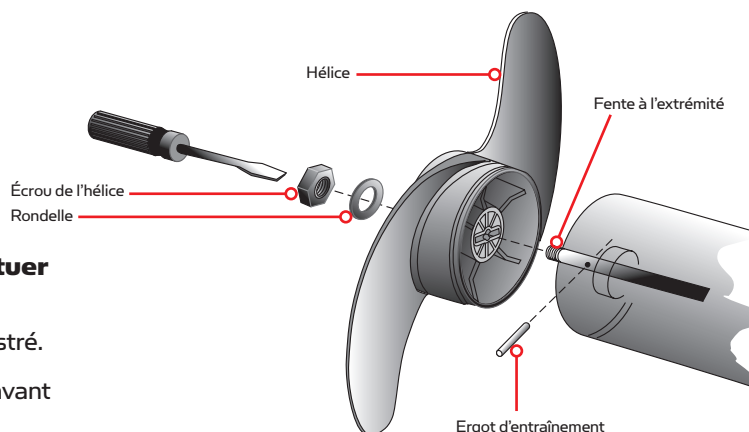
- Clé à oeil de 11 mm (7/16 ")
- Tournevis (facultatif)

MISE EN GARDE:

Débrancher le moteur de la batterie avant d'effectuer tout travail ou entretien sur l'hélice.

NOTE: L'hélice sur votre moteur peut différer de celui illustré.

1. Débrancher le moteur de toute source d'alimentation avant de changer l'hélice.
2. Tenir l'hélice, puis desserrer l'écrou de l'hélice à l'aide d'une pince ou d'une clé.
3. Retirer l'écrou et la rondelle de l'hélice. Si l'ergot d'entraînement est cisailé ou cassé, tenir l'arbre stable à l'aide d'une lame de tournevis enfoncée dans la fente à l'extrémité de l'arbre.
4. Tourner la vieille hélice à l'horizontale (comme illustré), puis la retirer à la verticale. Si l'ergot d'entraînement tombe, le repousser à l'intérieur.
5. Aligner la nouvelle hélice avec l'ergot d'entraînement.
6. Installer la rondelle et l'écrou de l'hélice.
7. Serrer l'écrou de l'hélice 1/4 de tour de plus que le serrage initial [25 à 35 lb/po, 2,8 à 4 J]. Ne pas trop serrer, car cela peut endommager l'hélice.



ENTRETIEN GÉNÉRAL

1. Après utilisation, le moteur en entier devrait être rincé avec de l'eau douce, puis essuyé avec un chiffon humidifié avec un spray de silicone à base aqueuse. Cette série de moteurs n'est pas équipée pour être exposée à l'eau salée.
2. L'hélice doit être inspectée et les algues et lignes de pêche ôtées, toutes les 20 heures de fonctionnement. Les lignes de pêche et les algues peuvent se retrouver derrière l'hélice, endommager les joints et permettre à l'eau d'entrer dans le moteur.
3. Chaque fois que le moteur est utilisé, assurez-vous que l'écrou de l'hélice est bien serré.
4. Afin de prévenir les dommages accidentels, lors du transport ou de l'entreposage, débranchez la batterie lorsque le moteur est hors de l'eau. Pour un entreposage prolongé, enduisez légèrement toutes les parties métalliques avec un protecteur à base de silicone aqueux.
5. Pour profiter de la durée de vie maximale de la batterie, rechargez la ou les batteries dès que possible après utilisation. Pour une performance maximale du moteur, rechargez la batterie complètement avant de l'utiliser.
6. Gardez les bornes de la batterie propres à l'aide de papier sablé fin ou de toile d'émeri.
7. L'hélice est conçue pour fonctionner en repoussant les algues avec un niveau d'efficacité très élevé. Pour maintenir ce haut rendement, la pointe des lames doit être gardée lisse. Si elles sont rugueuses ou ébréchées dues au fait de l'utilisation, rendez-les lisses de nouveau à l'aide de papier sablé fin.

DÉPANNAGE ET RÉPARATION

1. Le moteur ne s'allume pas ou manque de puissance :
 - Vérifiez que les raccordements de la batterie respectent les bonnes polarités.
 - Assurez-vous que les bornes sont propres et sans corrosion. Utilisez du papier sablé fin ou de la toile d'émeri pour nettoyer les bornes.
 - Vérifiez le niveau d'eau de la batterie. Ajoutez de l'eau si nécessaire.
2. Le moteur perd de la puissance après avoir fonctionné un court laps de temps :
 - Vérifiez la charge de la batterie. Si le niveau est bas, remettez-la à pleine charge.
3. Le moteur est difficile à piloter :
 - Vérifiez que les câbles de direction ont la tension appropriée. Ajustez lorsque nécessaire.
4. Vous ressentez des vibrations provenant de l'hélice lors du fonctionnement normal :
 - Retirez et faites pivoter l'hélice à 180 °. Voir les instructions de retrait dans la section hélice.
5. Votre sondeur fait l'objet d'interférences:
 - Dans certaines applications, de l'interférence à l'écran de l'échosondeur pourra survenir. Nous recommandons qu'une batterie marine à décharge profonde séparée soit utilisée pour votre propulseur électrique et que l'échosondeur soit alimenté à l'aide d'une batterie de démarrage/à manivelle. Si les problèmes persistent, communiquer avec le service technique au +1 (800) 227-6433.

REMARQUE: Pour tout défaut de fonctionnement, visiter un centre de service agréé. Pour un centre de service agréé dans la région, consulter la liste de nos centres de service agréés sur le site [Web minnkotamotors.com](http://Webminnkotamotors.com) ou communiquer avec notre service à la clientèle au +1 (800) 227-6433.

POUR D'AUTRES SERVICES DE DÉPANNAGE ET DE RÉPARATION

Nous offrons plusieurs options de dépannage et/ou de réparation pour le produit. Veuillez parcourir les options énumérées ci-dessous.



FOIRE AUX QUESTIONS

Notre site Web présente FAQ visant à répondre à toutes vos questions au sujet des produits Minn Kota. Veuillez visiter le site [Web minnkotamotors.com](http://Webminnkotamotors.com), puis cliquer sur « Foire aux questions » pour trouver réponse à vos questions.



COMMUNIQUEZ AVEC NOUS (POUR LES ÉTATS-UNIS ET LE CANADA)

Nos représentants du service à la clientèle sont disponibles du lundi au vendredi, de 7 h 00 à 16 h 30 (HNC), au +1 (800) 227-6433. Pour commander des pièces, veuillez avoir sous la main le numéro de série à 11 chiffres du produit, les numéros des pièces nécessaires et les renseignements relatifs à la carte de crédit. Vous économiserez ainsi du temps pour un service à la clientèle de qualité supérieure. Vous pouvez consulter la liste de votre manuel pour obtenir les numéros exacts de pièce.



ENVOYEZ-NOUS UN COURRIEL

Envoyez-nous un courriel pour transmettre à notre service à la clientèle vos questions au sujet des produits Minn Kota. Pour transmettre votre question par courriel, visitez le site [Web minnkotamotors.com](http://Webminnkotamotors.com), puis cliquer sur « Nous contacter ».



CENTRES DE SERVICE AGRÉÉS

On compte plus de 300 centres de service agréés Minn Kota aux États-Unis et au Canada pour acheter des pièces et faire réparer vos produits. Veuillez consulter la page Web pour la liste des centres de service agréés et trouver un centre de service dans votre région.

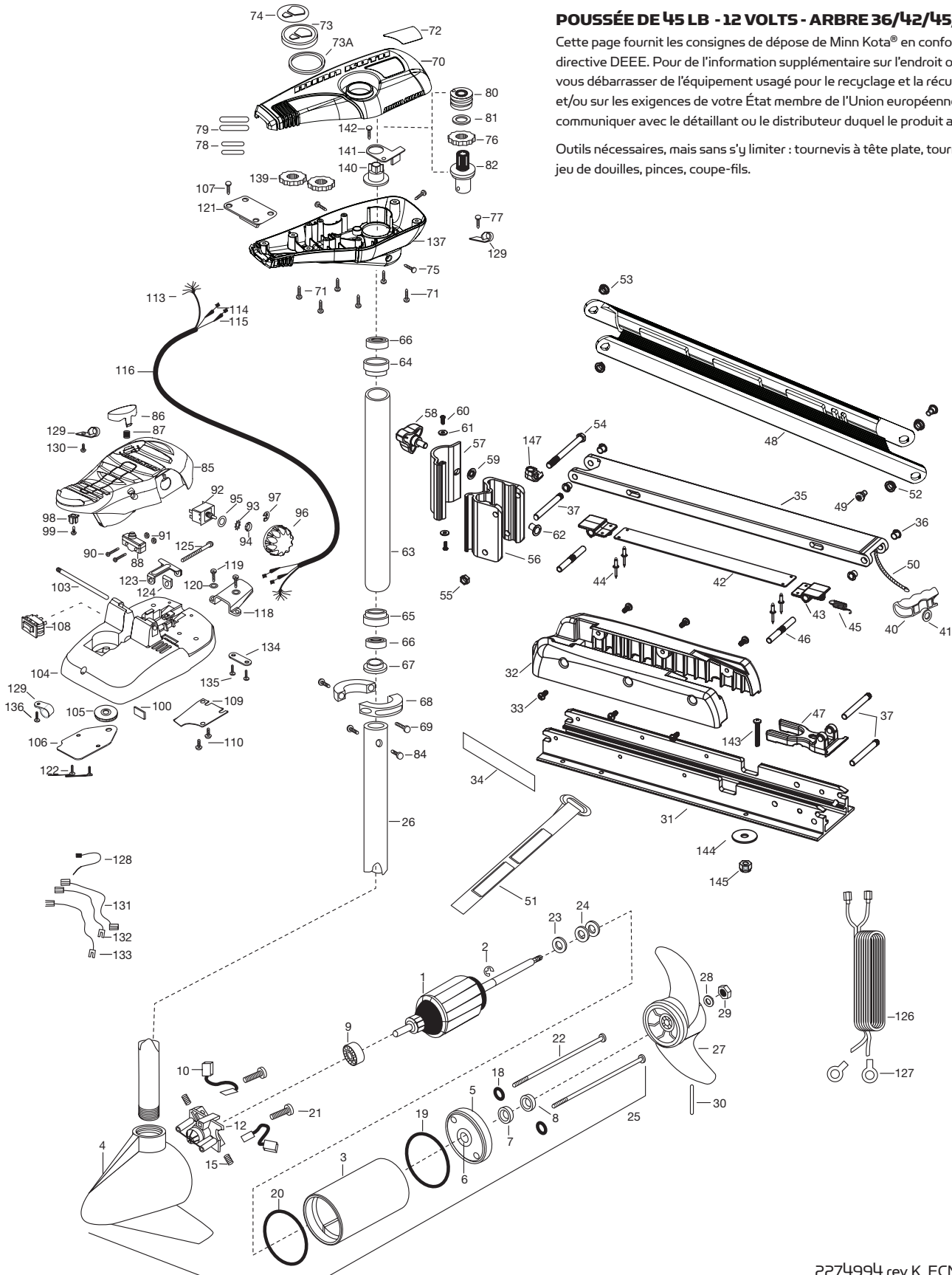
SCHÉMA DES PIÈCES

EDGE 45

POUSSÉE DE 45 LB - 12 VOLTS - ARBRE 36/42/45/50 PO

Cette page fournit les consignes de dépose de Minn Kota® en conformité avec la directive DEEE. Pour de l'information supplémentaire sur l'endroit où vous pouvez vous débarrasser de l'équipement usagé pour le recyclage et la récupération et/ou sur les exigences de votre État membre de l'Union européenne, veuillez communiquer avec le détaillant ou le distributeur duquel le produit a été acheté.

Outils nécessaires, mais sans s'y limiter : tournevis à tête plate, tournevis cruciforme, jeu de douilles, pinces, coupe-fils.



EDGE 45

POUSSÉE DE 45 LB - 12 VOLTS - ARBRE 36/42/45/50 PO

LISTES DES PIÈCES

ART.	QTÉ	NUMÉRO DE PIÈCE	DESCRIPTION
1	1	2-100-202	ASSEMBLAGE DE BRAS 12 V 3,625
2	1	788-015	ANNEAU DE RETENUE
3	1	2-200-079	ENSEMBLE BOÎTIER CENTRAL 3,625 TXT
4	1	2-300-134	ENSEMBLE – EXTRÉMITÉ BISEAUTÉE DU BOÎTIER
	1	2-300-132	ENSEMBLE EXTRÉMITÉ BISEAUTÉ DU BOÎTIER
5	1	2-400-128	ENSEMBLE EXTRÉMITÉ PLATE DU BOÎTIER
6	1	144-049	PALIER – BRIDE (SERVICE UNIQUEMENT)
7	1	880-003	JOINT
8	1	880-006	JOINT AVEC PROTECTEUR
9	1	140-010	ROULEMENT À BILLES
10	2	188-052	ENSEMBLE BROSSÉ
12	1	738-030	ENSEMBLE PLAQUE DE BROSSÉ AVEC PORTE
15	2	975-032	RESSORT COMPRESSION
18	2	701-007	JOINT TORIQUE
19	1	701-039	JOINT TORIQUE
20	1	701-041	JOINT TORIQUE
21	2	830-001	VIS - AUTOTARAUSEUSE N° 8 32 X 1,7
22	2	830-078	BOULON TRAVERSANT N° 10 32 X 8,83
23	1	990-067	RONDELLE – BUTÉE D'ACIER
24	2	990-070	RONDELLE – NYLATRON
25	1	2069286	ENSEMBLE MOTEUR 12 V
	1	2069285	ENSEMBLE MOTEUR 12 V
26	1	2032062	TUBE (COMP) 91,44 CM
	1	2032063	TUBE (COMP) 106,68 CM
	1	2032061	TUBE (COMP) 114,3 CM
	1	2032059	TUBE (COMP) 127 CM
■	1	1378121	ENSEMBLE HÉLICE
27	1	2061122	HÉLICE AVEC 2 ENCOCHES
28	1	2151726	RONDELLE – 5/16 AI
29	1	2053101	ÉCROU – PROP NYLOC
30	1	2092600	ERGOT D'ENTRAÎNEMENT
31	1	2266507	PLAQUE AVANT, AV, LONG
	1	2266502	PLAQUE AVANT, AV, RÉG
32	1	2263905	SUPPORT DE MOTEUR
33	6	2303430	VIS – 1/4 20 X 5/8 PO
34	2	2265667	AUTOCOLL. SUPPORT DE MOTEUR, AV
■	1	2991717	MONTANT, ENSEMBLE LONG AV
	1	2991716	MONTANT, ENSEMBLE COURT AV
35	1	2264372	BRAS INFÉRIEUR, AV., RÉG.
36	4	2266002	ARBRE 3/8 PO NYLINER
37	3	2260503	TOURILLON
40	1	2150405	POIGNÉE DE TRACTION
41	1	2151700	RONDELLE – ARBRE OEIL 0,562 D.I.
■	1	2993812	ENSEMBLE COURROIE DE MAINTIEN, LONG
	1	2993811	ENSEMBLE COURROIE DE MAINTIEN, RÉG
42	1	2263607	COURROIE DE MAINTIEN, LONG
	1	2263605	COURROIE DE MAINTIEN
43	2	2261902	SUPPORT – LOQUET
44	4	2268602	RIVET 1/8 PO AI
45	1	2262709	RESSORT – TIGE DE VERROUILLAGE
46	2	2260501	TIGE DE VERROUILLAGE
47	1	2261544	FOURCHE – TUBE
48	1	2264272	BRAS – SUPÉRIEUR, LONG AV
	1	2264271	BRAS – SUPÉRIEUR, COURT AV

ART.	QTÉ	NUMÉRO DE PIÈCE	DESCRIPTION
49	2	2263510	BOULON – ÉPAULE, AI
50	1	2251601	CORDE
	1	2251603	CORDE
51	1	2263805	SANGLE DE VELCRO
52	1	2267302	DOUILLE – INFÉRIEURE 7/16 PO D.I., AI
53	1	2267303	DOUILLE – SUPÉRIEURE 3/8 PO D.I., AI
54	1	2263505	BOULON – 3/8 16 X 4,25 PO
55	1	2263114	ÉCROU – À FILETAGE AUTOFREINANT 3/8 16
56	1	2261892	BASE CHARNIÈRE, AV.
57	1	2261897	PORTE CHARNIÈRE, AV.
58	1	2260905	POIGNÉE – SOUPLE, G&D
59	1	2261728	RONDELLE RETENUE 3/8 PO
60	2	2053415	VIS – N° 8 32 X 3/8 PO TRI
61	2	2261732	RONDELLE – N° 8 NYLON
62	2	2264703	INSERT – FILETÉ
■	1	2992015	TUBE AVEC CHEMIN DE ROULEMENT 18 PO
	1	2992012	TUBE AVEC CHEMIN DE ROULEMENT 21 PO
	1	2992016	TUBE AVEC CHEMIN DE ROULEMENT 24 PO
63	1	2272066	TUBE EXTÉRIEUR 18 PO
	1	2272069	TUBE EXTÉRIEUR 21 PO
	1	2272067	TUBE EXTÉRIEUR 24 PO
64	1	2266260	CHEMIN DE ROULEMENT
65	1	2266220	CHEMIN DE ROULEMENT – ACIER
66	2	2266000	ROULEMENT À BILLES – ACIER
67	1	2266115	CÔNE DE ROULEMENT
68	2	2261622	ALUMINIUM DEMI-COLLET
69	2	2263453	VIS – 1/4 X 20 X 1 PO
70	1	2260215	COUVERCLE DE BOÎTE DE COMMANDE
71	6	2372100	VIS – N° 8 18 X 5/8 FILETÉ
72	1	2275611	AUTOCOLLANT – COUVERCLE, BORD 45/FC
73	1	2260153	POINTER DISQUE COURT JAUNE
73A	1	2261733	RONDELLE – MOUSSE, INDICATEUR
74	1	2265800	AUTOCOLLANT – INDICATEUR
75	3	2053414	VIS – N° 8 32 X 1/2 TRI LOBE
76	1	2267800	ENGRENAGE – INDICATEUR
77	1	2372100	VIS – N° 8 18 X 5/8 FILETÉ
78	2	2375400	GAINÉ RÉTRACTABLE – 1/4 D.E. X 1 3/4
79	2	2355410	GAINÉ RÉTRACTABLE – 3/8 D.E. X 2
80	1	2232360	COURROIE – TAMBOUR À CÂBLE
81	1	2261730	RONDELLE – NYLON A/T
82	1	2996246	CHEMIN DE ROULEMENT/ ENSEMBLE PIGNON
84	2	2263410	VIS – N° 8 32 X 5/16 ZN PL
85	1	2994496	ENSEMBLE PÉDALE/ BOUCHON AT
86	1	2283700	BOULTON POUSSOIR
87	1	2302732	RESSORT – PÉDALE INFÉRIEURE AI
88	1	2264040	COMMUTATEUR MOMENTANÉ
90	2	2262114	VIS – MONTAGE/ COMMUTATEUR
91	2	2233100	ÉCROU – MONTAGE COMMUTATEUR
92	1	2264026	COMMUTATEUR – 5 VITESSES
93	1	2261701	RONDELLE DE BLOCAGE ÉTOILE
94	1	2263105	ÉCROU – HEXAGONAL

ART.	QTÉ	NUMÉRO DE PIÈCE	DESCRIPTION
95	1	2261715	ENTRETOISE – COMMUTATEUR MODÈLES 5 VITESSES
96	1	2280110	BOULTON – CONTRÔLE DE VITESSE 5 VITESSES
97	1	2263000	RONDELLE EN E TRU-ARC
98	1	2260730	RACCORDEMENT ONGLET 1/4 MÂLE
99	1	2332103	VIS – N° 6 20 X 3/8
100	1	2266413	VIS DE TENSION POUR PLAQUE DE PÉDALE
103	1	2260511	GOUPILLE – PIVOT PÉDALE A/T
104	1	2992104	BASE/GOUPILLE DE PÉDALE/ENSEMBLE SONAR
105	1	2262301	POULIE – PÉDALE
106	1	2266401	COUVERCLE – IMPRESSION POULIE
107	4	2223430	VIS – N° 8 X 3/4
108	1	2254031	COMMUTATEUR – MOM./ ARRÊT/CON.
109	1	2266412	PLAQUE DE COMMUTATEUR – PÉDALE
110	2	2332103	VIS – N° 6 20 X 3/8 FILETÉ
113	1	2261208	FAISCEAU DE CÂBLE, PÉDALE A/T
114	1	2267505	ENSEMBLE DE CÂBLE DROITE 5 PI
115	1	2267515	ENSEMBLE DE CÂBLE - GAUCHE 5 PI
116	1	2265430	GAINÉ DE CÂBLE 5 PI
118	1	2265115	MANCHON - BASE DE PÉDALE
119	2	2372100	VIS – N° 8 18 X 5/8 FILETÉ
120	2	2261714	RONDELLE - PÉDALE MAXXUM
121	1	2261901	SUPPORT - CONTUIT
122	2	2301310	VIS - N° 8 18 X 3/4 PO
123	1	2263210	SUPPORT – AJUSTEMENT DE CONDUITE
124	1	2263140	GARDE NYLOCK
125	1	2263466	VIS – 1/4 20 X 2 STL PPH
126	1	2261235	CÂBLE DE LIAISON BATTERIE
127	2	2020700	BAGUE BORNE, 3/8 PO
128	1	2256300	ATTACHE – 5,5 PO NOIRE
129	3	2263201	PINCE POUR FAISCEAU ÉLECTRIQUE
130	1	2332103	VIS – N° 6 20 X 3/8 FILETÉ
131	1	2260301	CÂBLE DE CONNEXION – COMMUTATEUR
132	1	2260312	CÂBLE – NOIR AVEC SHT
133	1	2260322	CÂBLE – NOIR AVEC BLEU
134	1	2263205	PINCE CÂBLE DE LIAISON
135	2	9953104	VIS – N° 8 X 1/2 PO AI
136	1	2301310	VIS – N° 8 - 18 X 1/2 PO AI
137	1	2262515	FOND DE BOÎTE DE COMMANDE
139	2	2267800	ENGRENAGE – INDICATEUR
140	1	2262221	INDICATEUR – ENTRAÎNEMENT (JAUNE)
141	1	2269105	SUPPORT / INDICATEUR
142	1	2223430	VIS – N° 8 X 3/4
■	1	2994838	ENSEMBLE SAC
*143	6	2263462	VIS – 1/4 20 X 2 AI
*144	6	2261713	RONDELLE – 1/4 PLATE
*145	6	2263103	ÉCROU – À FILETAGE AUTOFREINANT 1/4 20
147	1	2262310	CORDE DE GUIDAGE
■	1	2883460	ENSEMBLE JOINT TORIQUE ET JOINT

■ CET ARTICLE NE FAIT PARTIE D'AUCUN ENSEMBLE.
*CET ARTICLE FAIT PARTIE D'UN ENSEMBLE ET EST SEULEMENT ÉNUMÉRÉ À DES FINS D'ILLUSTRATION.

DÉCLARATION DE CONFORMITÉ

DÉCLARATION DE CONFORMITÉ ENVIRONNEMENTALE

Il est dans l'intention de JOME d'être une entreprise citoyenne responsable, dont l'exploitation est conforme à la réglementation environnementale en vigueur et qui est connue pour être un bon voisin dans les collectivités où nous fabriquons ou vendons nos produits.

DIRECTIVE DEEE:

La directive européenne 2002/96/CE « Directive concernant les déchets d'équipements électriques et électroniques (DEEE) » a un impact sur la plupart des distributeurs, vendeurs et fabricants d'électronique pour le grand public au sein de l'Union européenne. La directive DEEE exige que le producteur d'électronique pour le grand public prenne une part de responsabilité, en ce qui concerne la gestion des déchets de leurs produits, afin d'atteindre une élimination écologique, et ce, tout au long du cycle de vie du produit.

Il se peut que, selon votre emplacement, vous ne soyez pas tenu (e) de vous conformer à la directive DEEE pour ce qui est des équipements électriques et électroniques (EEE), et il se peut qu'il en soit de même pour les EEE conçus et destinés à être utilisés comme installations fixes ou temporaires dans les véhicules de transport tels que les voitures, les avions et les bateaux. Dans certains États de l'Union européenne, ces véhicules sont réputés ne pas relever de la directive, et les EEE, pour ces applications peuvent être considérés comme exclus de l'exigence de la directive DEEE.



Ce symbole (DEEE poubelle sur roues) sur le produit indique que ce dernier ne doit pas être jeté avec les déchets domestiques. Il doit être éliminé et collecté pour le recyclage et la récupération des DEEE. Johnson Outdoors Inc. marquera tous les produits EEE en conformité avec la directive DEEE. C'est notre but de nous conformer à la collecte, au traitement, à la récupération et à l'élimination écologique judicieuse de ces produits, mais ces exigences varient au sein des différents États membres de l'Union européenne. Pour de l'information supplémentaire sur l'endroit où vous pouvez éliminer les équipements usagés pour leur recyclage et leur récupération et/ou ou selon les exigences particulières de l'État membre de l'Union européenne, veuillez communiquer avec le détaillant ou le distributeur duquel vous avez acheté le produit.

ÉLIMINATION:

Les moteurs Minn Kota ne sont pas soumis à la réglementation concernant l'élimination VGE-VO (directive pour les dispositifs électriques), qui transpose la directive DEEE. Néanmoins, ne jamais jeter le moteur Minn Kota dans une poubelle, mais plutôt à l'endroit approprié où s'effectue la collecte, recommandé par le conseil municipal local.

Ne jamais jeter aucune batterie à la poubelle. Se conformer aux directives d'élimination du fabricant ou de son représentant et la jeter à l'endroit approprié où s'effectue la collecte, recommandé par le conseil municipal local.

AVERTISSEMENT: Ce produit contient des produits chimiques reconnus par l'État de la Californie comme causant le cancer, des anomalies congénitales ou d'autres effets nocifs sur la reproduction.

ACCESSOIRES RECOMMANDÉS

CHARGEURS DE BATTERIE EMBARQUÉS ET PORTATIFS

Ne plus acheter de nouvelles batteries et commencer à prendre soin de celles déjà en votre possession. Plusieurs chargeurs peuvent en fait endommager les batteries à la longue, pouvant entraîner une autonomie réduite et une durée de vie plus courte. Les chargeurs Minn Kota à commande numérique assurent une charge rapide pour une protection et une durée de vie prolongée.



MK345PC



MK212D



MK105P

ANCRE POUR EAUX PEU PROFONDES TALON

Les ancres Talon se déploient rapidement, ont une force de retenue plus élevée et sont plus silencieuses que tout autre ancre pour eaux peu profondes. Offerts en profondeurs allant jusqu'à 12 pi (3,66 m) et en options de couleurs vives, elles comportent plusieurs fonctionnalités et innovations uniques dans le domaine:



- Déploiement Vertical en Plusieurs Étapes
- Modes D'ancrage Pouvant être Sélectionnés par L'utilisateur
- 2x la Force d'ancrage
- Déploiement Rapide
- Descente/Montée Automatique
- Triple Protection Contre les Débris*
- Amortisseur Automatique de Vague Intégré
- Dissipation de Bruit
- Réglages Polyvalents

*offerts uniquement sur les modèles 10 pi et 12 pi (3 m et 3,65 m)

ACCESSOIRES MINN KOTA

Nous offrons un large éventail d'accessoires pour les propulseurs électriques, y compris:



- Un Disjoncteur de 60 A
- Des Supports de Montage
- Des Ensembles Stabilisateur
- Des Rallonges de Poignée
- Des connecteurs de batterie
- Bacs à Batterie
- Des fiches de connexion rapide

Pour la liste complète des accessoires Minn Kota, veuillez visiter le site Web minnkotamotors.com

Suivez-nous:



minnkotamotors.com

Minn Kota Consumer & Technical Service
Johnson Outdoors Marine Electronics, Inc.
PO Box 8129
Mankato, MN 56001

121 Power Drive
Mankato, MN 56001
Phone (800) 227-6433
Fax (800) 527-4464



©2014 Johnson Outdoors Marine Electronics, Inc.
All rights reserved.