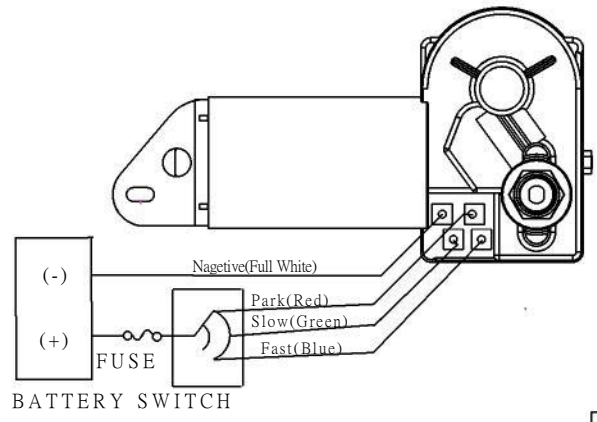
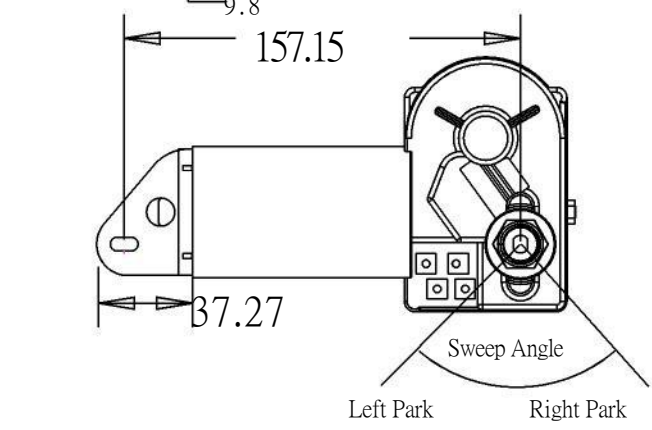
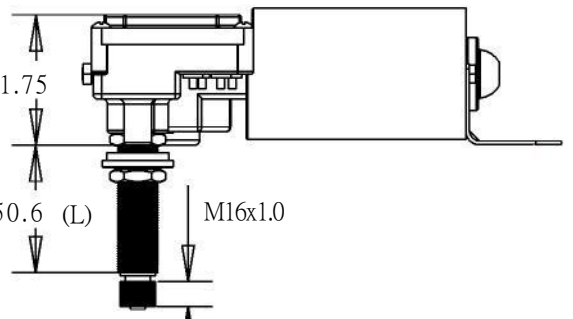


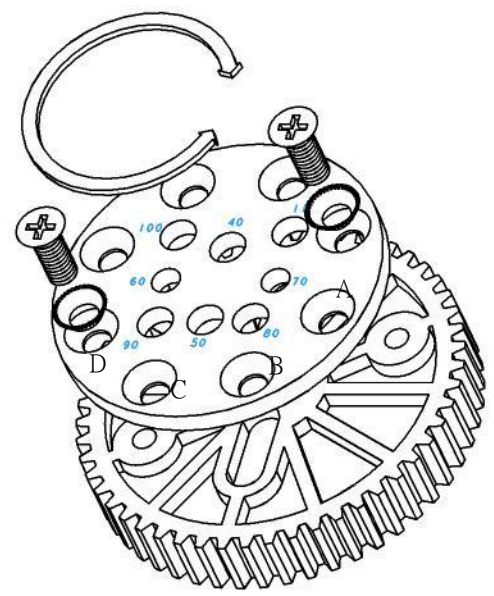
Wiper Motor Torque : 15 Nm
 Speed : 2 Speed Fast/Slow
 Isolated Ground Type
 Pivot : L= 1"(25.4mm),
 2"(50.6mm),
 3"(76.2mm)

MOTOR SPECIFICATIONS

	Part No.	168121-12CE	168121-24CE
	Voltage	12V	24V
	Range of voltage	12V + 10%	24V + 10%
	Self-Parking	Yes	Yes
Without Load	Torque	15.6 Nm	15.3 Nm
	Current	1.2A	0.62A
	Speed	Fast 59 Slow 41	Fast 58 Slow 40
Working Load	Current	1.5A ~ 3.5A	0.72A ~ 1.83A
	Speed	Fast 57 Slow 41	Fast 55 Slow 39
Blocked Spindle	Torque	14.7 Nm	14.9 Nm
	Current	11.2 A	6.01A



Different Angle & Parking Configurations.
 To be adjusted when motor is stopped in parking pos.



Angle/Park Hole Pos.

- 40/R D 1
- 40/L D 2
- 50/R D 2
- 50/L D 1
- 60/R B 2
- 60/L B 1
- 70/R B 1
- 70/L B 2
- 80/R C 2
- 80/L C 1
- 90/R A 2 90/L A 1
- 100/R C 1
- 100/L C 2
- 110/R A 1
- 110/L A 2
