

RUDDERMASTER™



NEW

3 3/8" Backlit Meter

Rudder angle indicators are economical steering aids and rudder position monitors.

Benefits

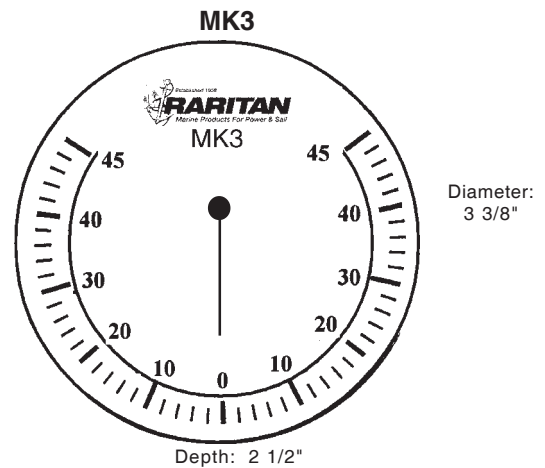
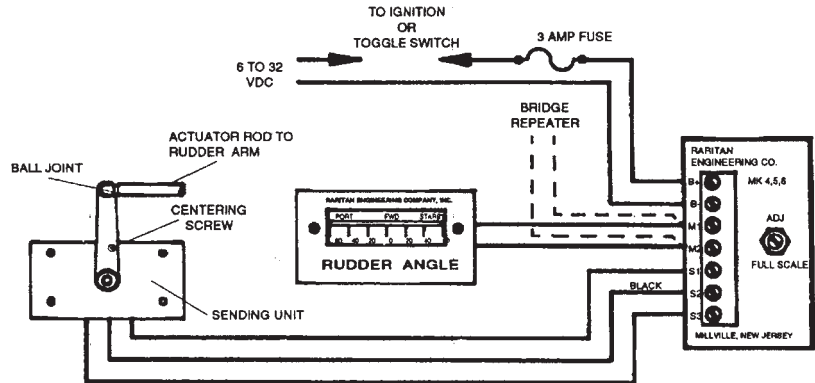
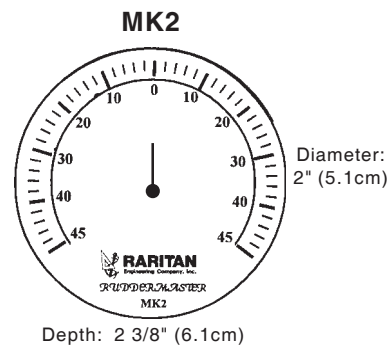
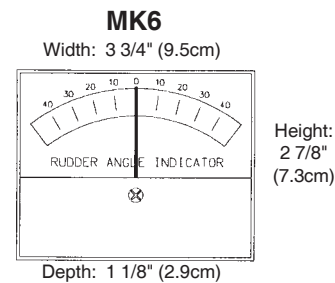
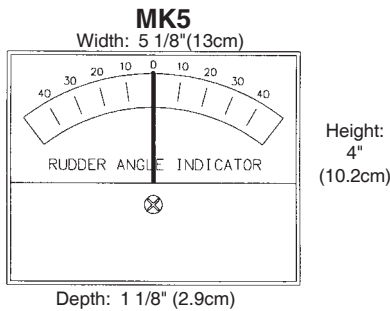
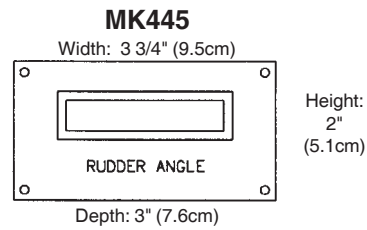
- Ready for installation with all necessary components needed – meter, calibration box and sending unit
- Constant monitoring of rudder angle position from 0 to 45 degrees
- Great aid for docking or close maneuvering
- Each unit is assembled by hand, individually tested and backed by Raritan's one-year Limited Warranty and legendary technical support team

Options

- Available in five models:
 - MK2 and MK3 models are spray proof (IP64) and backlit
 - MK445 models use a compact flush mount meter with an edgewise readout
 - MK5 and MK6 models use easy to read panoramic meters
- MK445, MK5 and MK6 models operate on all standard voltages (6, 12, 24 and 32V DC) – Specify voltage when ordering an MK2 or MK3
- Repeater units are available for multiple station readouts
- Any model can be ordered with longer wire

RUDDERMASTER™

Sample Installation



Select an area where the Ruddermaster can be easily viewed by the navigator, but also where the Ruddermaster will not be affected by washdown spray or by direct elements. Ruddermasters are not water resistant except for the MK2 and MK3 which are spray proof (IP64).

Models and Options

Part #	Description
MK2*	2" round Meter
MK3*	3 3/8" round meter
MK445	Edgewise 3 3/4" Flush mount Meter
MK5	Panoramic 4 1/2" Flush mount Meter
MK6	Panoramic 3 1/2" Flush mount Meter
MK2R*	Repeater Unit with MK2 Meter
MK445R	Repeater Unit with MK4 Meter
MK5R	Repeater Unit with MK5 Meter
MK6R	Repeater Unit with MK6 Meter

Any model can be special ordered with longer wire by adding length to (suffix) part #. Example: MK4-60

Approximate Shipping Weight: 3 lbs (1.4 kg)

* Specify Voltage

L1013 0409kgs