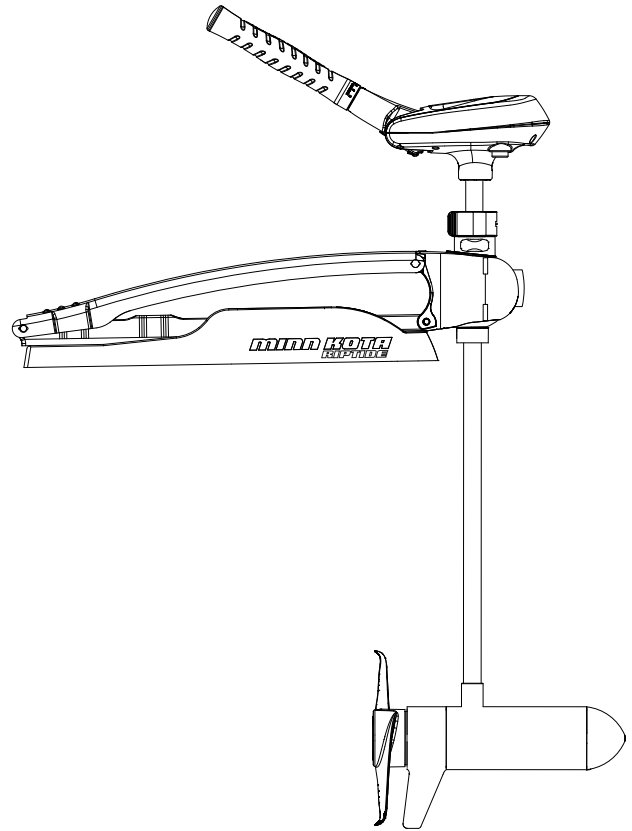


BowGuard 360°[®]



Latch & Door

RIPTIDE[®] MAXXUM[®]

BOW-MOUNT TROLLING MOTOR

USER MANUAL

CE MASTER USER MANUAL (FOR CE CERTIFIED MODELS)

THANK YOU

Thank you for choosing Minn Kota. We believe that you should spend more time fishing and less time positioning your boat. That's why we build the smartest, toughest, most intuitive trolling motors on the water. Every aspect of a Minn Kota trolling motor is thought out and rethought until it's good enough to bear our name. Countless hours of research and testing provide you the Minn Kota advantage that can truly take you "Anywhere. Anytime." We don't believe in shortcuts. We are Minn Kota. And we are never done helping you catch more fish.

REMEMBER TO KEEP YOUR RECEIPT AND IMMEDIATELY REGISTER YOUR TROLLING MOTOR.

A registration card is enclosed or you can complete registration on our website at minnkotamotors.com.

NOTE: Do not return your Minn Kota motor to your retailer. Your retailer is not authorized to repair or replace this unit. You may obtain service by: calling Minn Kota at (800) 227-6433; returning your motor to the Minn Kota Factory Service Center; sending or taking your motor to any Minn Kota authorized service center. A list of authorized service centers is available on our website, at minnkotamotors.com. Please include proof of purchase, serial number and purchase date for warranty service with any of the above options.

Please thoroughly read this user manual. Follow all instructions and heed all safety and cautionary notices below. Use of this motor is only permitted for persons that have read and understood these user instructions. Minors may use this motor only under adult supervision.


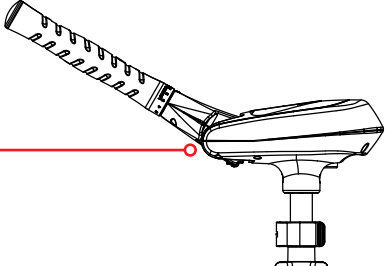
ATTENTION: Never run the motor out of the water, as this may result in injuries from the rotating propeller. The motor should be disconnected from the power source when it is not in use or is off the water. When connecting the power-supply cables of the motor to the battery, ensure that they are not kinked or subject to chafe and route them in such a way that persons cannot trip over them. Before using the motor make sure that the insulation of the power cables is not damaged. Disregarding these safety precautions may result in electric shorts of battery(s) and/or motor. Always disconnect motor from battery(s) before cleaning or checking the propeller. Avoid submerging the complete motor as water may enter the lower unit through control head and shaft. If the motor is used while water is present in the lower unit considerable damage to the motor can occur. This damage will not be covered by warranty.

CAUTION: Take care that neither you nor other persons approach the turning propeller too closely, neither with body parts nor with objects. The motor is powerful and may endanger or injure you or others. While the motor is running watch out for persons swimming and for floating objects. Persons whose ability to run the motor or whose reactions are impaired by alcohol, drugs, medication, or other substances are not permitted to use this motor. This motor is not suitable for use in strong currents. The constant noise pressure level of the motor during use is less than 70dB(A). The overall vibration level does not exceed 2,5m/sec².

LOCATING YOUR SERIAL NUMBER

Your Minn Kota 11-character serial number is very important. It helps to determine the specific model and year of manufacture. When contacting Consumer Service or registering your product, you will need to know your product's serial number. We recommend that you write the serial number down in the space provided below so that you have it available for future reference.

The serial number on your Riptide Maxxum is located under the tiller handle.



Made by Minn Kota
Johnson Outdoors
Marine Electronics, Inc.
121 Power Drive
Mankato, MN 56001 USA
Trolling Motors
Produced in 2012

Riptide Maxxum 80/52
MODEL 1363445

SER NO M365 MK12345
EXAMPLE

Model: _____

Serial Number: _____

Purchase Date: _____

Store Where Purchased: _____

TABLE OF CONTENTS

Two-Year Limited Warranty	4
Features	5
Mount Installation	6-9
Battery & Wiring Installation	10-11
Boat Rigging & Product Installation	10
Conductor Gauge and Circuit Breaker Sizing Table	10
Push-to-Test Battery Meter	10
Selecting the Correct Batteries	11
How to Connect Batteries	11
Motor Wiring Diagram	12-13
Using & Adjusting The Motor	14-16
Stowing & Deploying the Motor	14
Adjusting the Depth of the Motor	15
Controlling Speed and Direction with the Tiller	15
Adjusting the Tilt/Extend Tiller	16
Service & Maintenance	17
Propeller Replacement	17
General Maintenance	17
Troubleshooting & Repair	18
Environmental Compliance Statements	19
Parts Diagram	20
Parts List	21

TWO-YEAR LIMITED WARRANTY

WARRANTY ON MINN KOTA SALTWATER TROLLING MOTORS

Johnson Outdoors Marine Electronics, Inc. ("JOME") extends the following limited warranty to the original retail purchaser only. Warranty coverage is not transferable.

MINN KOTA LIMITED TWO-YEAR WARRANTY ON THE ENTIRE PRODUCT

JOME warrants to the original retail purchaser only that the purchaser's new Minn Kota saltwater trolling motor will be materially free from defects in materials and workmanship appearing within two (2) years after the date of purchase. JOME will (at its option) either repair or replace, free of charge, any parts found by JOME to be defective during the term of this warranty. Such repair, or replacement shall be the sole and exclusive liability of JOME and the sole and exclusive remedy of the purchaser for breach of this warranty.

MINN KOTA LIMITED LIFETIME WARRANTY ON COMPOSITE SHAFT

JOME warrants to the original retail purchaser only that the composite shaft of the purchaser's Minn Kota trolling motor will be materially free from defects in materials and workmanship appearing within the original purchaser's lifetime. JOME will provide a new composite shaft, free of charge, to replace any composite shaft found by JOME to be defective during the term of this warranty. Providing a new composite shaft shall be the sole and exclusive liability of JOME and the sole and exclusive remedy of the purchaser for breach of this warranty; **and purchaser shall be responsible for installing, or for the cost of labor to install, any new composite shaft provided by JOME.**

EXCLUSIONS & LIMITATIONS

This limited warranty does not apply to products that have been used commercially or for rental purposes. This limited warranty does not cover normal wear and tear, blemishes that do not affect the operation of the product, or damage caused by accidents, abuse, alteration, modification, shipping damages, acts of God, negligence of the user or misuse, improper or insufficient care or maintenance. **DAMAGE CAUSED BY THE USE OF OTHER REPLACEMENT PARTS NOT MEETING THE DESIGN SPECIFICATIONS OF THE ORIGINAL PARTS WILL NOT BE COVERED BY THIS LIMITED WARRANTY.**

The cost of normal maintenance or replacement parts which are not in breach of the limited warranty are the responsibility of the purchaser. Prior to using products, the purchaser shall determine the suitability of the products for the intended use and assumes all related risk and liability. Any assistance JOME provides to or procures for the purchaser outside the terms, limitations or exclusions of this limited warranty will not constitute a waiver of the terms, limitations or exclusions, nor will such assistance extend or revive the warranty. JOME will not reimburse the purchaser for any expenses incurred by the purchaser in repairing, correcting or replacing any defective products or parts, except those incurred with JOME's prior written permission. **JOME'S AGGREGATE LIABILITY WITH RESPECT TO COVERED PRODUCTS IS LIMITED TO AN AMOUNT EQUAL TO THE PURCHASER'S ORIGINAL PURCHASE PRICE PAID FOR SUCH PRODUCT.**

MINN KOTA SERVICE INFORMATION

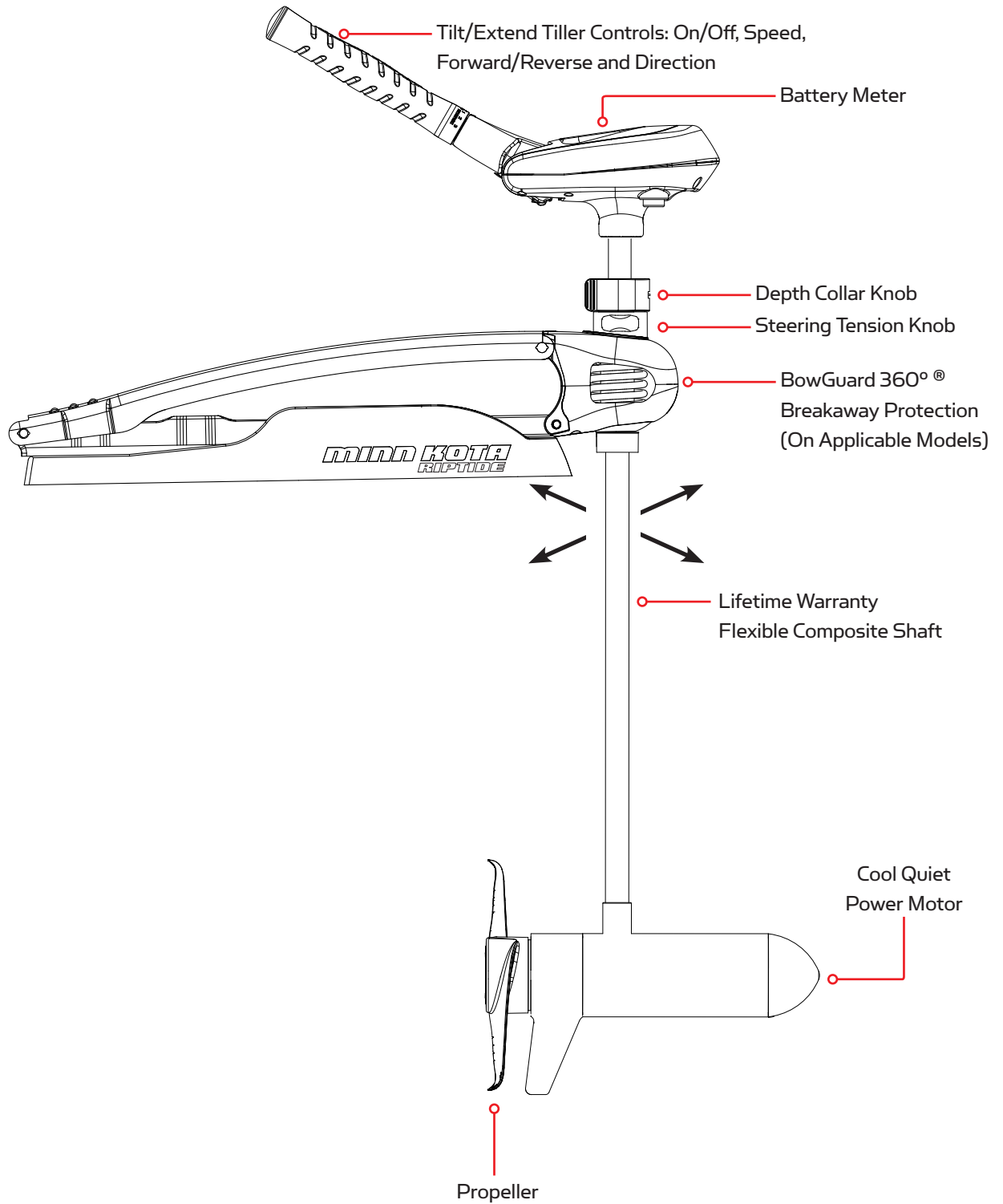
To obtain warranty service in the U.S., the product believed to be defective, and proof of original purchase (including the date of purchase), must be presented to a Minn Kota Authorized Service Center or to Minn Kota's factory service center in Mankato, MN. Any charges incurred for service calls, transportation or shipping/freight to/from the Minn Kota Authorized Service Center or factory, labor to haul out, remove, re-install or re-rig products removed for warranty service, or any other similar items are the sole and exclusive responsibility of the purchaser. Products purchased outside of the U.S. must be returned prepaid with proof of purchase (including the date of purchase and serial number) to any Authorized Minn Kota Service Center in the country of purchase. Warranty service can be arranged by contacting a Minn Kota Authorized Service Center or by contacting the factory at 1-800-227-6433 or email service@minnkotamotors.com. **Products repaired or replaced will be warranted for the remainder of the original warranty period [or for 90 days from the date of repair or replacement, whichever is longer]. For any product that is returned for warranty service that JOME finds to be not covered by or not in breach of this limited warranty, there will be a billing for services rendered at the prevailing posted labor rate and for a minimum of at least one hour.**

NOTE: Do not return your Minn Kota product to your retailer. Your retailer is not authorized to repair or replace products.

THERE ARE NO EXPRESS WARRANTIES OTHER THAN THESE LIMITED WARRANTIES. IN NO EVENT SHALL ANY IMPLIED WARRANTIES INCLUDING ANY IMPLIED WARRANTIES OF MERCHANTABILITY OR FITNESS FOR PARTICULAR PURPOSE, EXTEND BEYOND THE DURATION OF THE RELEVANT EXPRESS LIMITED WARRANTY. IN NO EVENT SHALL JOME BE LIABLE FOR PUNITIVE, INDIRECT, INCIDENTAL, CONSEQUENTIAL OR SPECIAL DAMAGES. Without limiting the foregoing, JOME assumes no responsibility for loss of use of product, loss of time, inconvenience or other damage.

Some states do not allow limitations on how long an implied warranty lasts or the exclusion or limitation of incidental or consequential damages, so the above limitations and/or exclusions may not apply to you. This warranty gives you specific legal rights and you may also have other legal rights which vary from state to state.

FEATURES



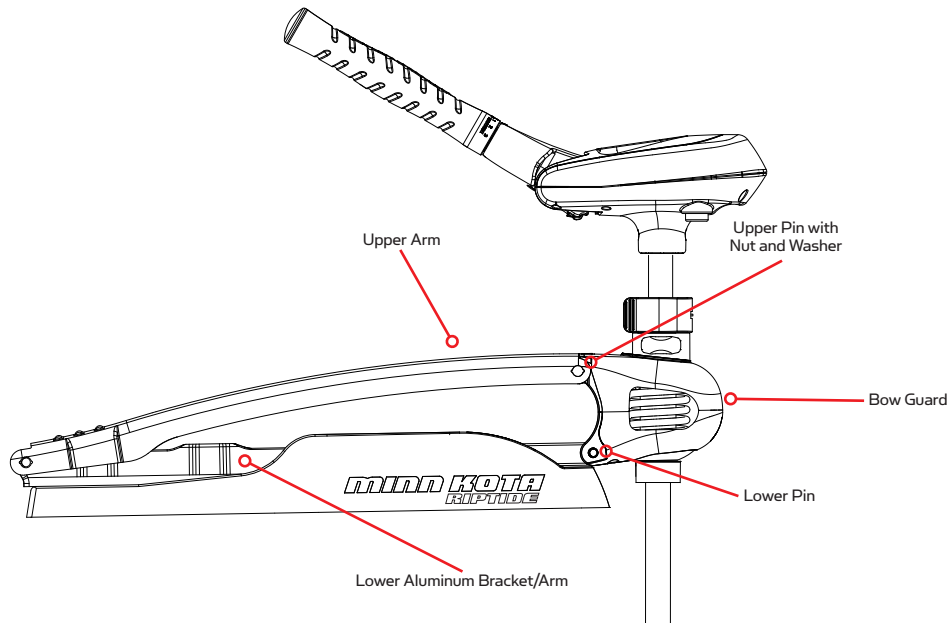
Specifications subject to change without notice.

This diagram is for reference only and may differ from your actual motor.

MOUNT INSTALLATION

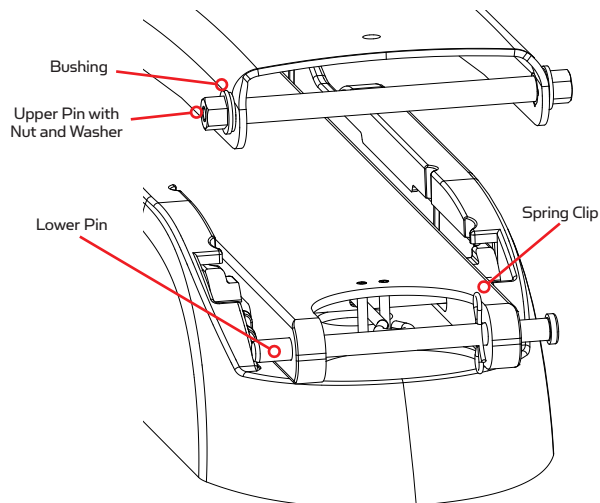
TOOLS AND RESOURCES REQUIRED:

- (2) 1/2" Wrenches
- Standard or Needle Nose Pliers
- A second person to help with the installation

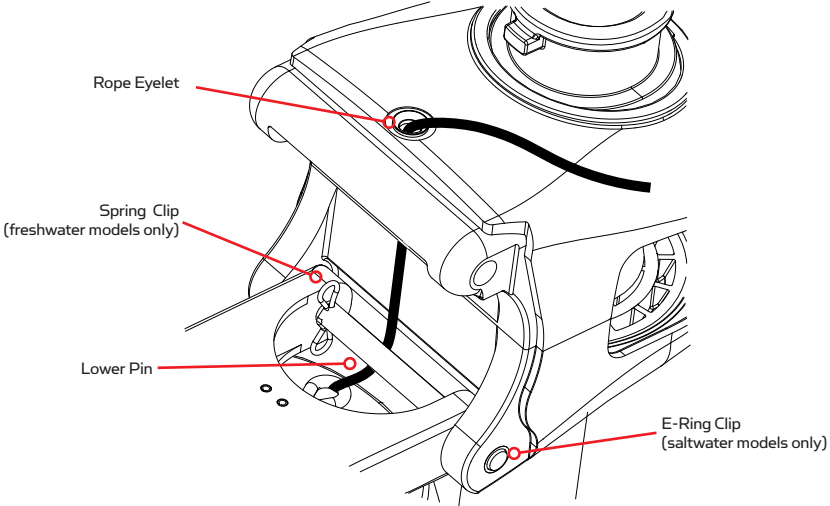


INSTALLATION OF MOTOR TO MOUNT

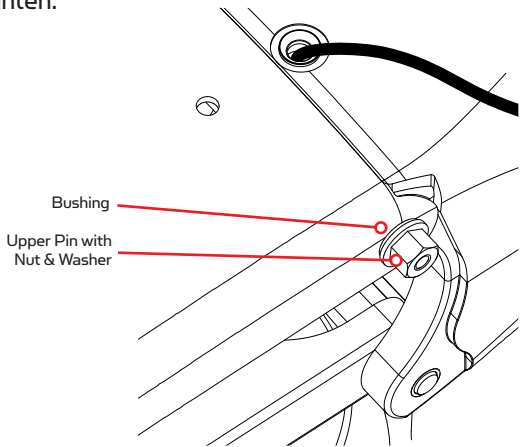
1. With mount closed as shown below, use two 1/2" wrenches to remove one of the two nylock nuts and washers from the upper pin and remove pin from mount.
NOTE: The two bushings in the upper arm may come out. If so, keep them for re-assembly.
2. Using a pair of pliers, remove the spring clip on freshwater models (or the E-clip on saltwater models) from the lower pin and remove lower pin from mount.



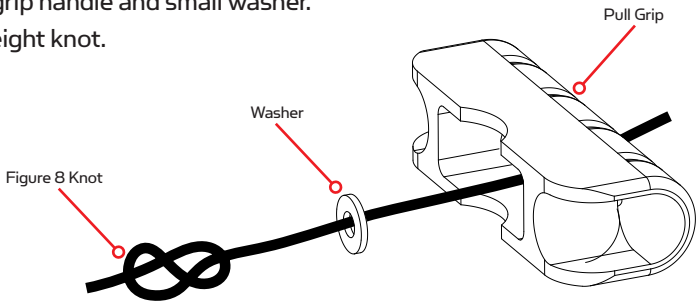
- 3. Open upper arm, rotate and lay over out of the way for lower arm assembly.
- 4. Align the lower arm and the lower bow guard ears and insert lower pin.
- 5. Re-install spring clip into lower pin for freshwater models or (E-clip for saltwater motors).
- 6. Route rope underneath lower pin and through eyelet in bowguard.



- 7. Rotate upper arm back over to bowguard.
- 8. Align the upper arm holes with upper bow guard ears and install upper pin.
NOTE: The two bushings in the upper arm may come out. Re-assemble them into the upper arm making sure the “keys” of the inserts are aligned with the “key” punchouts in upper arm.
- 9. Re-install washer and locknut and tighten.



- 10. Route rope through pull grip handle and small washer.
Secure by tying a figure eight knot.



INSTALLATION OF THE BOW-MOUNT

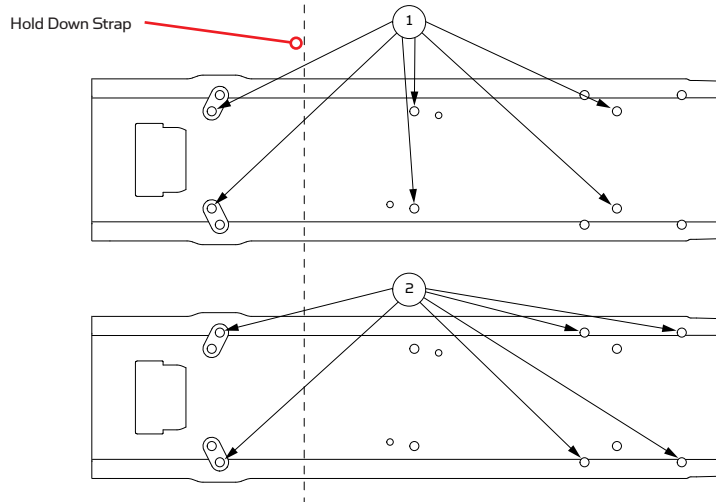
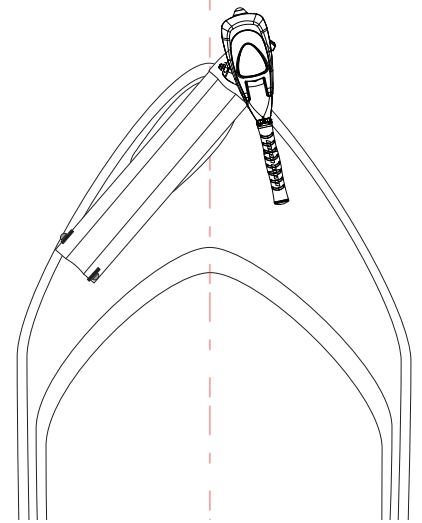
We recommend that you have another person help with this procedure.

1. For installation, **DO NOT REMOVE THE SHAFT/MOTOR FROM THE BOWGUARD. The Bowguard spring is under tension and must always remain secured.** Latch and Door models can be removed from the mount if needed.
2. Place the mount, with the motor in the fully stowed (flat) position, on the deck of the boat:

- The motor should be mounted as close to the centerline of the boat as possible when it is deployed.
- Make sure bow area under the chosen location is clear and unobstructed for drilling.
- Make sure the motor rest is positioned far enough beyond the edge of the boat. The motor, as it is lowered into the water or raised into the boat, must not encounter any obstructions

3. Once in position, determine which bolt pattern to use (see below), mark at least 4 of the holes (2 on each side) in the bow plate and drill through with a 9/32" drill bit. Either pattern may be used when installing the motor.

- Pattern 1: Minn Kota 3" bolt pattern standard motors.
- Pattern 2: Alternate 4" bolt pattern commonly used.



4. Install hold down strap between the motor and deck of boat between second and third set of mounting holes.
5. Mount the plate to the bow through the drilled holes using the provided (1/4-20 x 3-1/2") bolts, nuts and washers. **NOTE:** If possible, secure all sets of mounting bolts, nuts and washers.
6. Install the bow mount stabilizer (if included). See next section for installation instructions.

INSTALLING THE BOWMOUNT STABILIZER KIT

Tools Needed:

- Hand Saw
- 3/8" Nut Driver
- File or Sandpaper

1. Place the motor in the stowed position.
2. Measure from the screw hole in the upper arm to the boat deck or gunwale. Add 3/4" to the total to get the correct support shaft length (image 1).
3. Trim the bottom of the support shaft with a hand saw to the correct length. Round the cut edge with a file or sandpaper. Attach the rubber bumper.
4. Secure the support shaft to the bowmount with the 1/4" hex head screw with a lock washer on top and one on bottom of the bowmount arm (image 2).

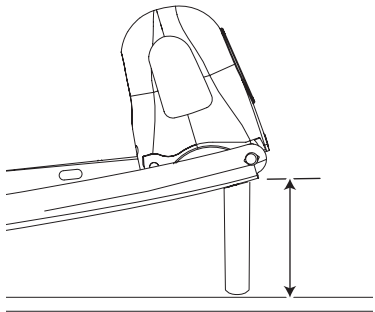


Image 1

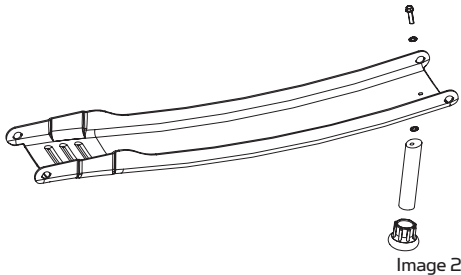


Image 2

5. Verify that the motor locks into the stowed position when retracted. The stabilizer should support the bowmount to prevent bouncing yet not interfere with the locking system (image 3). Adjust the stabilizer length as needed.

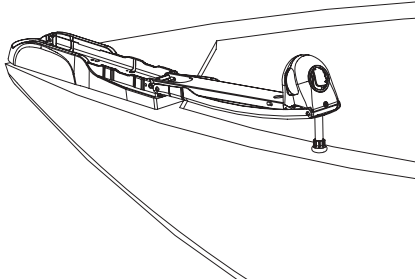


Image 3

INSTALLATION OF THE HOLD DOWN STRAP

(Not included on all models)

1. Before mounting the trolling motor place the Hold Down Strap under the bowmount between the mounting holes near the back of the motor rest with the hook and loop side of the strap facing down (image 4).
2. Secure the bowmount with the mounting bolts to capture the strap.
3. To stow the motor, pull the strap through the rectangular ring until snug. Press the hook pad of the strap, into the loop pad and secure (image 5). This should be used whenever the motor is stowed.

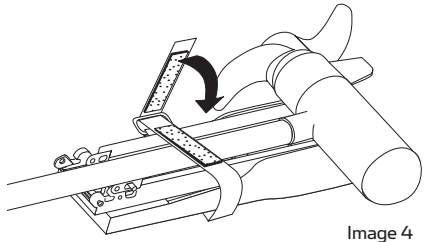


Image 4

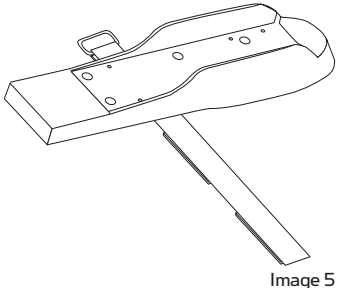


Image 5

BATTERY WIRING & INSTALLATION

BOAT RIGGING & PRODUCT INSTALLATION

For safety and compliance reasons, we recommend that you follow American Boat and Yacht Council (ABYC) standards when rigging your boat. Altering boat wiring should be completed by a qualified marine technician. The following specifications are for general guidelines only:

CAUTION: These guidelines apply to general rigging to support your Minn Kota motor. Powering multiple motors or additional electrical devices from the same power circuit may impact the recommended conductor gauge and circuit breaker size. If you are using wire longer than that provided with your unit, follow the conductor gauge and circuit breaker sizing table below. If your wire extension length is more than 25 feet, we recommend that you contact a qualified marine technician.

An over-current protection device (circuit breaker or fuse) must be used. Coast Guard requirements dictate that each ungrounded current-carrying conductor must be protected by a manually reset, trip-free circuit breaker or fuse. The type (voltage and current rating) of the fuse or circuit breaker must be sized accordingly to the trolling motor used. The table below gives recommended guidelines for circuit breaker sizing.

Reference:

United States Code of Federal Regulations: 33 CFR 183 – Boats and Associated Equipment

ABYC E-11: AC and DC Electrical Systems on Boats

CONDUCTOR GAUGE AND CIRCUIT BREAKER SIZING TABLE

Motor Thrust / Model	Max Amp Draw	Circuit Breaker	Wire Extension Length *				
			5 feet	10 feet	15 feet	20 feet	25 feet
30 lb.	30	50 Amp @ 12 VDC	10 AWG	10 AWG	8 AWG	6 AWG	4 AWG
40 lb., 45 lb.	42		10 AWG	8 AWG	6 AWG	4 AWG	4 AWG
50 lb., 55 lb.	50	60 Amp @ 12 VDC	8 AWG	6 AWG	4 AWG	4 AWG	2 AWG
70 lb.	42	50 Amp @ 24 VDC	10 AWG	10 AWG	8 AWG	8 AWG	6 AWG
80 lb.	56	60 Amp @ 24 VDC	8 AWG	8 AWG	8 AWG	6 AWG	6 AWG
101 lb.	46	50 Amp @ 36 VDC	8 AWG	8 AWG	8 AWG	8 AWG	8 AWG
Engine Mount 101	50	60 Amp @ 36 VDC	8 AWG	6 AWG	4 AWG	4 AWG	2 AWG
112 lb.	52	60 Amp @ 36 VDC	8 AWG	8 AWG	8 AWG	8 AWG	8 AWG
Engine Mount 160	116	(2) x 60 Amp @ 24 VDC	2 AWG	2 AWG	2 AWG	2 AWG	2 AWG
E-Drive	40	50 Amp @ 48 VDC	10 AWG	10 AWG	10 AWG	10 AWG	10 AWG

This conductor and circuit breaker sizing table is only valid for the following assumptions:

1. No more than 3 conductors are bundled together inside of a sheath or conduit outside of engine spaces.
2. Each conductor has 105° C temp rated insulation.
3. No more than 5% voltage drop allowed at full motor power based on published product power requirements.

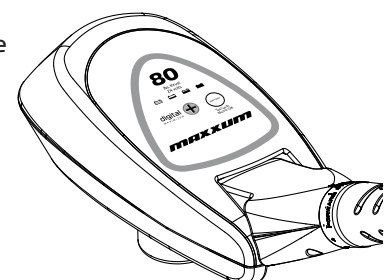
***Wire Extension Length refers to the distance from the batteries to the trolling motor leads.**

PUSH-TO-TEST BATTERY METER

This motor is equipped with a “push-to-test” battery meter. The LED light provides an accurate display of the remaining charge in the battery. It is only accurate when the motor is off.

The meter reads as:

- One light indicates recharge.
- Two lights indicate low charge.
- Three lights indicate good charge.
- Four lights indicate full charge.



SELECTING THE CORRECT BATTERIES

The motor will operate with any lead acid, deep cycle marine 12 volt battery/batteries. For best results, use a deep cycle, marine battery with at least a 105 ampere hour rating. Maintain battery at full charge. Proper care will ensure having battery power when you need it, and will significantly improve the battery life. Failure to recharge lead-acid batteries (within 12-24 hours) is the leading cause of premature battery failure. Use a multi-stage charger to avoid overcharging. We offer a wide selection of chargers to fit your charging needs. If you are using a crank battery to start a gasoline outboard, we recommend that you use a separate deep cycle marine battery/batteries for your Minn Kota trolling motor.

Advice Regarding Batteries:

- Never connect the (+) and the (-) terminals of the same battery together. Take care that no metal object can fall onto the battery and short the terminals. This would immediately lead to a short and extreme fire danger.
- It is highly recommended that a circuit breaker or fuse be used with this trolling motor. Refer to “Conductor Gauge and Circuit Breaker Sizing Table” in the previous section to find the appropriate circuit breaker or fuse for your motor. For motors requiring a 60-amp breaker, the Minn Kota MKR-19 60-amp circuit breaker is recommended.

CONNECTING THE BATTERIES

12 VOLT SYSTEMS:

1. Make sure that the motor is switched off (speed selector on “OFF” or “0”).
2. Connect positive (+) red lead to positive (+) battery terminal.
3. Connect negative (-) black lead to negative (-) battery terminal.
4. For safety reasons do not switch the motor on until the propeller is in the water.

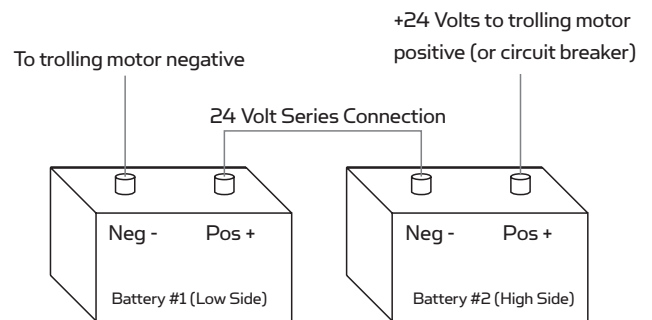
CAUTION:

For safety reasons, disconnect the motor from the battery/batteries when the motor is not in use or while the battery/batteries are being charged.

CONNECTING THE BATTERIES IN SERIES (IF REQUIRED FOR YOUR MOTOR)

24 VOLT SYSTEMS:

1. Make sure that the motor is switched off (speed selector on “0”).
2. Two 12 volt batteries are required.
3. The batteries must be wired in series, only as directed in wiring diagram, to provide 24 volts.
 - a. Connect a connector cable to the positive (+) terminal of battery 1 and to the negative (-) terminal of battery 2.
 - b. Connect positive (+) red motor lead to positive (+) terminal on battery 2.
 - c. Connect negative (-) black motor lead to negative (-) terminal of battery 1.
4. For safety reasons do not switch the motor on until the propeller is in the water. If installing a leadwire plug, observe proper polarity and follow instructions in your boat owner’s manual. See wiring diagram on following pages.



Two 12-volt batteries connected in series for 24 volts

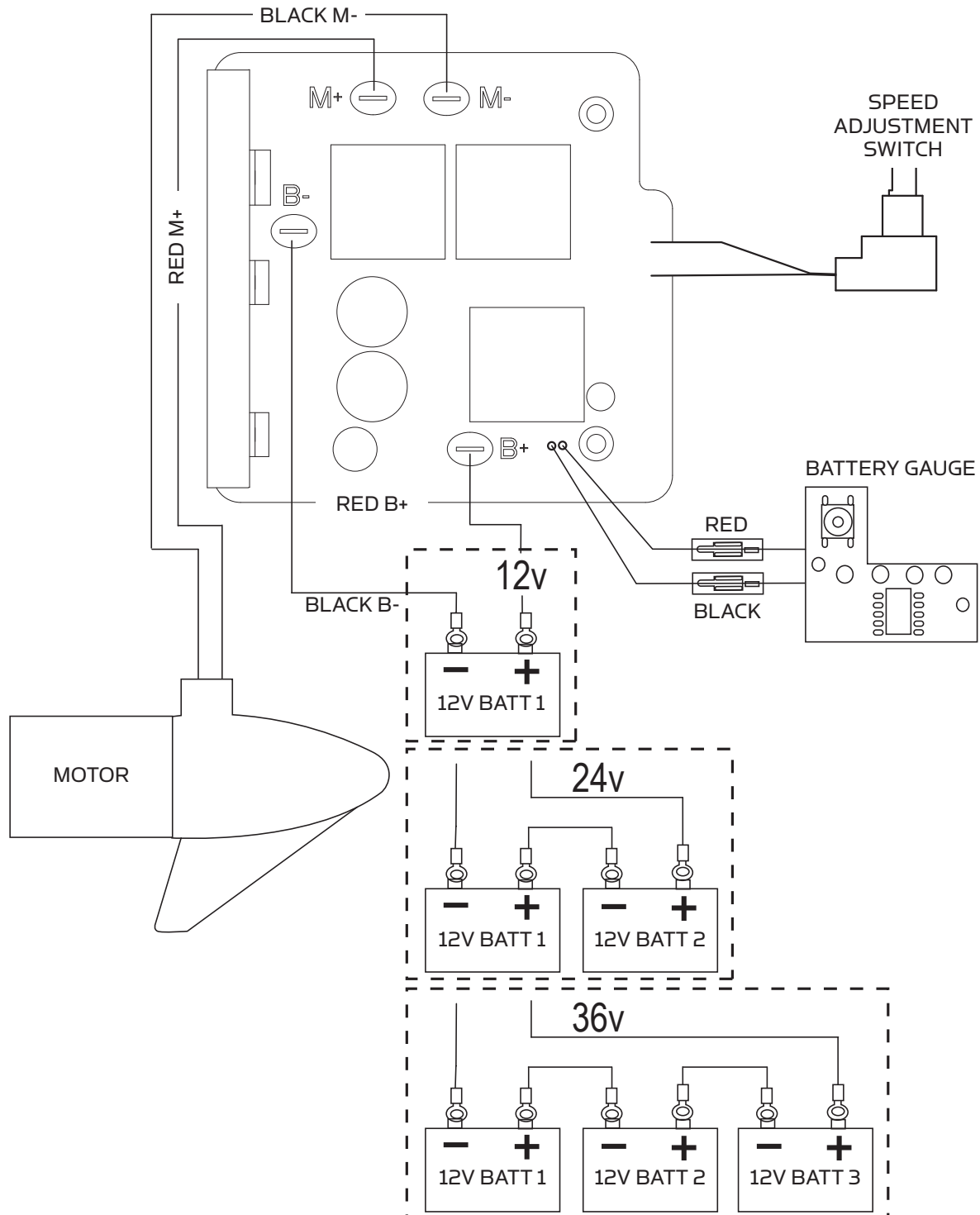
CAUTION

- **For safety reasons, disconnect the motor from the battery or batteries when the motor is not in use or while the battery/batteries are being charged.**
- **Improper wiring of 24/36 volt systems could cause battery explosion!**
- **Keep leadwire wing nut connections tight and solid to battery terminals.**
- **Locate battery in a ventilated compartment.**

MOTOR WIRING DIAGRAM

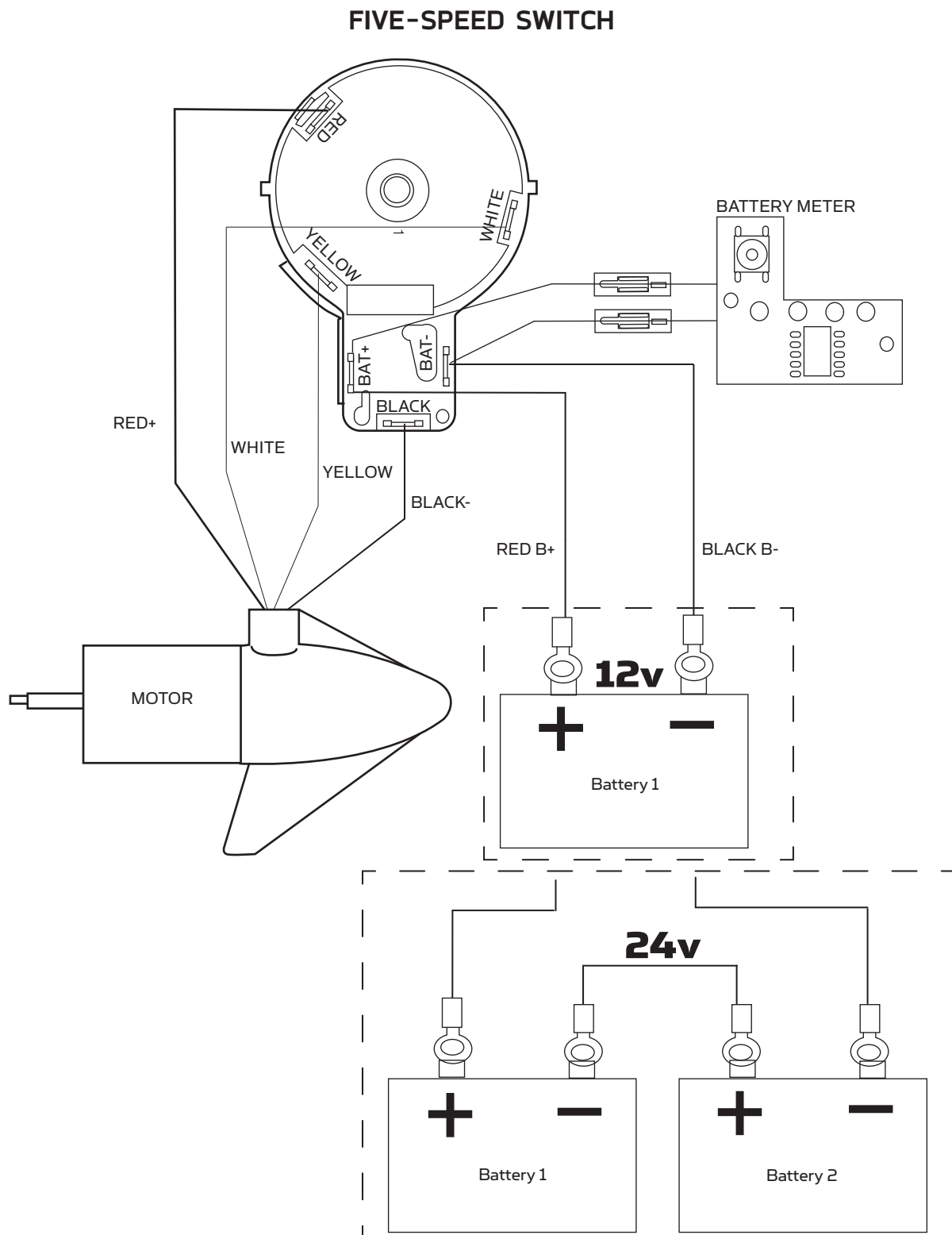
NOTE: This is a universal, multi-voltage diagram. Double-check your motor's voltage for proper connections. Over-Current Protection Devices not shown in this illustration.

VARIABLE SPEED CONTROL BOARD



MOTOR WIRING GUIDE

NOTE: This is a universal, multi-voltage diagram. Double-check your motor's voltage for proper connections. Over-Current Protection Devices not shown in this illustration.



USING AND ADJUSTING THE MOTOR

STOWING AND DEPLOYING THE MOTOR

WARNING:

When raising or lowering the motor, keep fingers clear of all hinge and pivot points and all moving parts.

MOUNT FEATURES

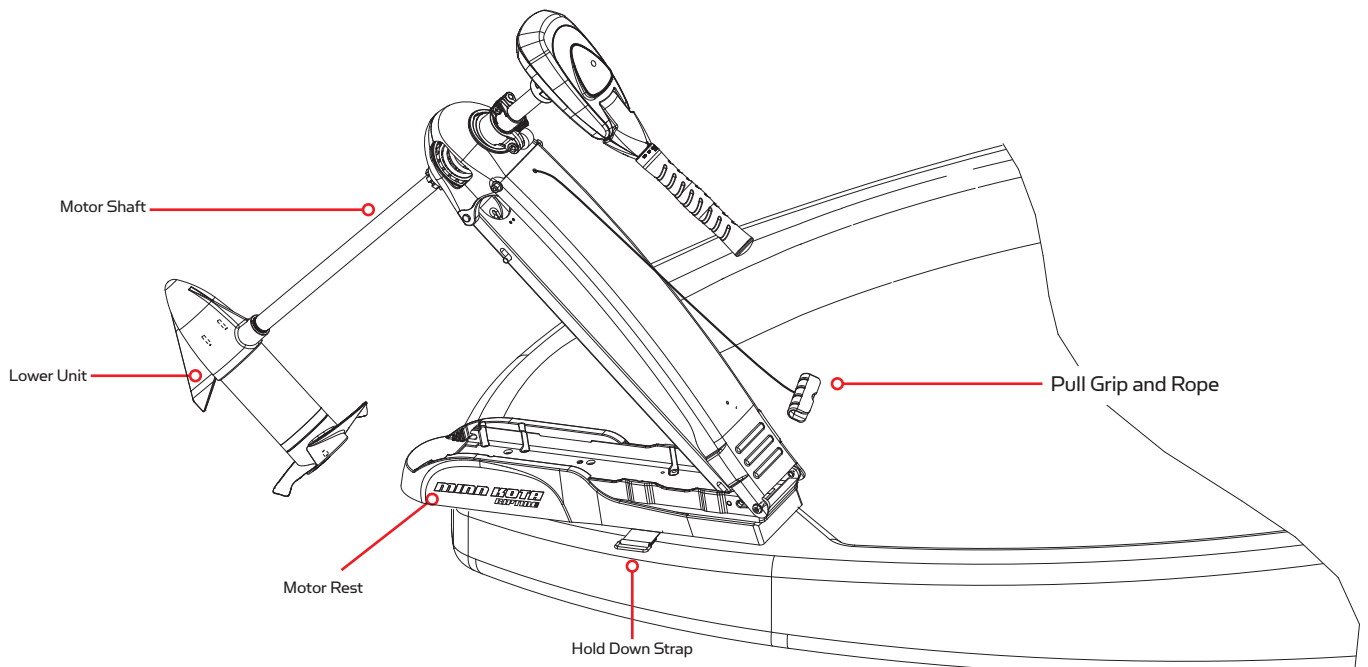
- The motor mount is designed to fold back and lock the motor flat on the deck when not in use and to provide secure stowage for transport.
- The pull grip and rope releases the lock bar, which automatically engages when the unit is lowered or raised into position. The pull grip and rope should be used to both lower and raise the unit.
- The motor rest positions the lower unit as it comes in contact with the nose of the mount and guides it onto the motor rest.
- The yoke captures the motor shaft and keeps the lower unit centered on the motor rest.
- The hold-down strap must be used to place pressure on the motor shaft to hold the lower unit tightly against the motor rest when stowed.
- The pull grip and rope can be stored by placing the pull grip into the rope stow slot on the control box of the motor.

TO DEPLOY THE MOTOR

Simply pull back and lift the motor off of the mount with the pull grip and rope. Lower the motor into the water using the pull grip and rope. The motor will lock into the deployed position automatically.

TO STOW THE MOTOR

Pull back and lift the motor out of the water with the pull grip and rope. Lower the motor lower unit onto the motor rest using the pull grip and rope. The motor will lock into the stowed position automatically. Wrap the hold-down strap over top of the motor shaft to secure the motor.

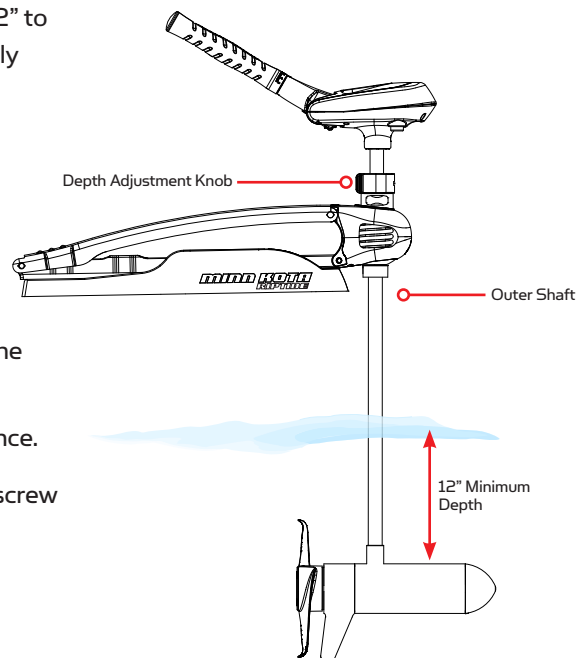


ADJUSTING THE DEPTH OF THE MOTOR

When setting the depth be sure the top of the motor is submerged at least 12" to avoid churning or agitation of surface water. The propeller must be completely submerged.

1. Firmly grasp the motor shaft and hold it steady.
2. Loosen steering tension knob.
3. Open the lever arm to loosen the Quick Release Depth Collar.
4. Vertically adjust the height of the motor to the desired position.
5. Bring the depth collar to the top of the steering tension knob, and close the lever arm to lock the depth collar into position.
6. Tighten the steering tension knob to achieve the desired steering resistance.

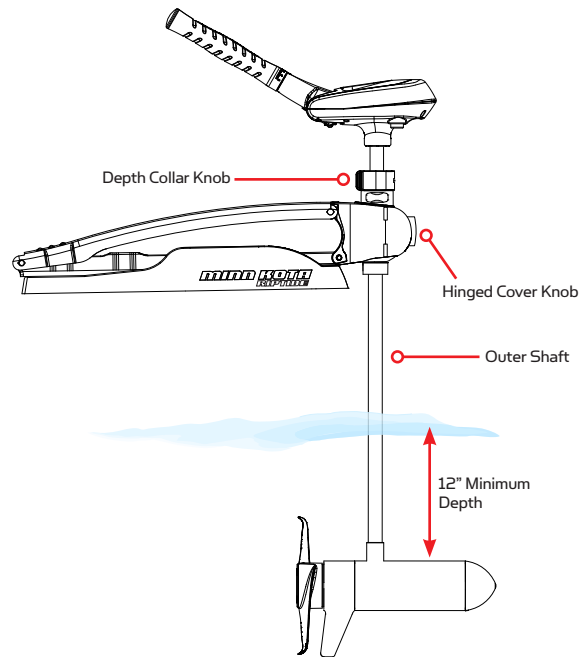
NOTE: The tension of the quick release depth collar can be adjusted with a screw driver to obtain the proper feel.



Bow-Guard 360° Models

LATCH & DOOR MODELS

1. Firmly grasp the outer shaft or control head and hold it steady.
2. Open the lever arm to loosen the Quick Release Depth Collar.
3. Loosen depth adjustment knob on the hinge cover until the shaft slides freely.
4. Raise or lower the motor to the desired depth.
5. Turn the motor control head to the desired position.
6. Bring the depth collar to the top of the steering tension knob, and close the lever arm to lock the depth collar into position.
7. Tighten depth setting knob to secure the motor in place.



Latch & Door Models

ADJUSTING THE STEERING

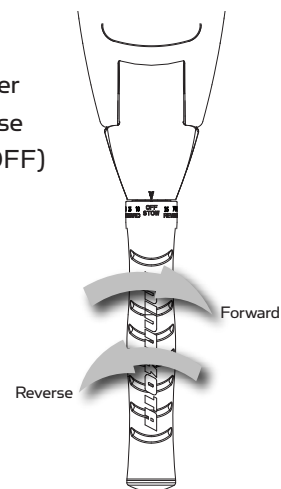
- Adjust the steering tension knob to provide enough tension to allow the motor to turn freely, yet remain in any position without being held

OR

- Tighten the knob to place the motor in a preset position to leave your hands free for fishing.

CONTROLLING SPEED & STEERING WITH THE TILLER

This motor offers variable forward and reverse speeds. The speed control may be operated in either direction, forward or reverse. Turn the tiller handle counterclockwise from (OFF) to increase reverse speed and clockwise from (OFF) to increase forward speed. Speed decreases as you approach (OFF) from either direction.



ADJUSTING THE TILT/EXTEND TILLER

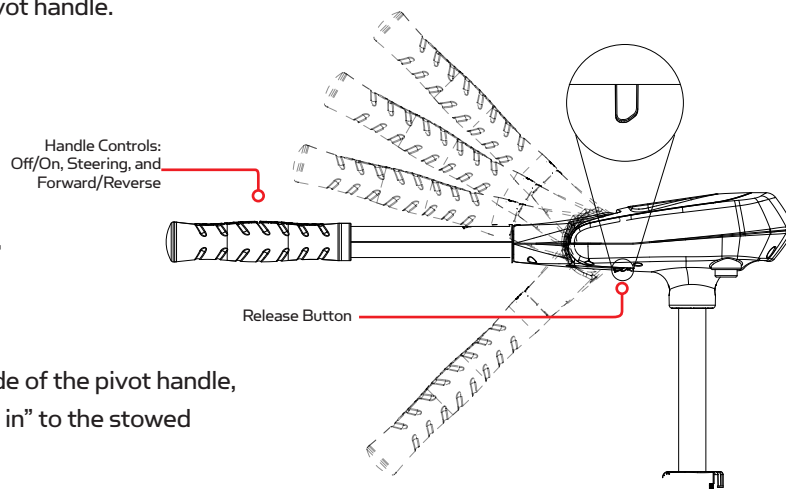
Your trolling motor features 7 usable handle tilt positions: 45°, 30°, and 15° up and down from the 0° (horizontal) position. To use the down positions, you must first press the release button located on the left underside of the pivot handle.

Your trolling motor handle also features a unique stow position, that is useful for limiting the amount of space required for storage or travel.

Important: BEFORE attempting to put the handle in the stowed position, the speed selector must be in the OFF/STOW position. Failure to do so will damage the internal mechanism.

First press the release button located on the left underside of the pivot handle, then push the handle down until you feel the handle “lock in” to the stowed position. This will be almost parallel to the motor shaft.

To extend the handle, pull the handle towards you to the desired position. The handle will extend a full 6 inches. To retract, push the handle in until it meets the face of the motor control head.



SERVICE & MAINTENANCE

PROPELLER REPLACEMENT

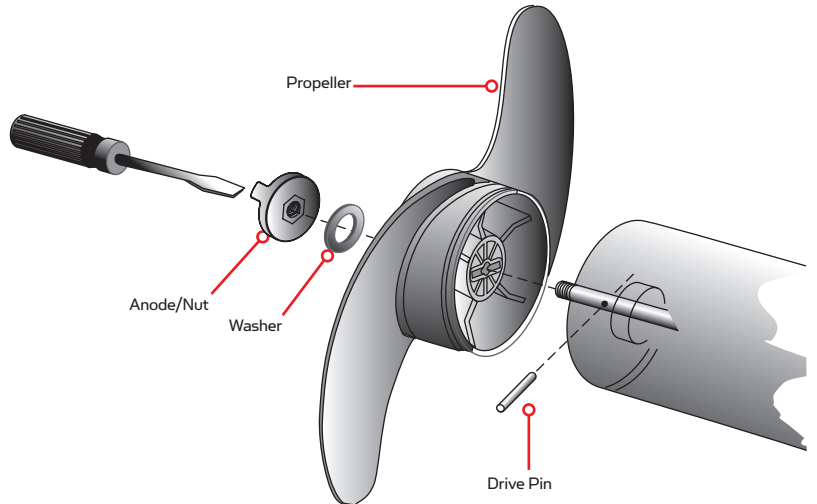
TOOLS AND RESOURCES REQUIRED:

- Box End Wrench
 - 1/2" for motors with 70 lbs thrust or lower.
 - 9/16" for motors with 80 lbs thrust or higher.
- Screwdriver (optional)

CAUTION:

Disconnect the motor from the battery before beginning any prop work or maintenance.

NOTE: The propeller on your motor may differ from the one pictured.



1. Disconnect motor from battery prior to changing the propeller.
2. Hold the propeller and loosen the anode/nut with a wrench.
3. Remove anode/nut and washer. If the drive pin is sheared/broken, you will need to hold the shaft steady with a screwdriver blade pressed into the slot on the end of the shaft.
4. Turn the old prop to horizontal (as illustrated) and pull it straight off. If drive pin falls out, push it back in.
5. Align new propeller with drive pin.
6. Install prop washer and anode/nut.
7. Tighten anode/ nut 1/4 turn past snug. [25-35 inch lbs.] Be careful, over tightening can damage prop.

GENERAL MAINTENANCE

- After every use, the entire motor should be rinsed with freshwater, then wiped down with a cloth dampened with an aqueous based silicone spray. Do not spray water into the ventilation openings in the head of the motor.
- The composite shaft requires periodic cleaning and lubrication for proper retraction and deployment. A coating of an aqueous based silicone spray will improve operation.
- The propeller must be inspected and cleaned of weeds and fishing line after every use. Fishing line and weeds can get behind the prop, damage the seals and allow water to enter the motor.
- Verify the prop nut is secure each time the motor is used.
- To prevent accidental damage during transportation or storage, disconnect the battery whenever the motor is off of the water. For prolonged storage, lightly coat all metal parts with an aqueous based silicone spray.
- For maximum battery life, recharge the battery(s) as soon as possible after use. For maximum motor performance, restore battery to full charge prior to use.
- Keep battery terminals clean with fine sandpaper or emery cloth (flooded lead acid only).
- The propeller is designed to provide optimum operation with very high efficiency. To maintain this top performance, the leading edge of the blades must be kept smooth. If they are rough or nicked from use, restore to smooth by sanding with fine sandpaper.

TROUBLESHOOTING & REPAIR

1. Motor fails to run or lacks power:
 - Check battery connections for proper polarity.
 - Make sure terminals are clean and corrosion free. Use fine sandpaper or emery cloth to clean terminals.
 - Check battery water level. Add water if needed.
2. Motor loses power after a short running time:
 - Check battery charge. If low, restore to full charge.
3. Motor is difficult to steer:
 - Loosen the steering tension knob on the bracket
 - Lubricate the composite shaft.
4. You experience prop vibration during normal operation:
 - Remove and rotate the prop 180°. See removal instructions in the Propeller Replacement section.
5. Experiencing interference with your fishfinder:
 - You may, in some applications, experience interference in your depth finder display. We recommend that you use a separate deep cycle marine battery for your trolling motor and that you power the depth finder from the starting/cranking battery. If problems still persist, call our service department at 1-800-227-6433.

NOTE: For all other malfunctions, visit an Authorized Service Center. You can search for an Authorized Service Center in your area by visiting our Authorized Service Center page, found online at minnkotamotors.com, or by calling our customer service number, 800-227-6433.

FOR FURTHER TROUBLESHOOTING AND REPAIR

We offer several options to help you troubleshoot and/or repair your product. Please read through the options listed below.



FREQUENTLY ASKED QUESTIONS

We have FAQs available on our website to help answer all of your Minn Kota questions. Visit minnkotamotors.com and click on “Frequently Asked Questions” to find an answer to your question.



CALL US (FOR U.S. AND CANADA)

Our consumer service representatives are available Monday – Friday between 7:00 a.m. – 4:30 p.m. CST at 800-227-6433. If you are calling to order parts, please have the 11-character serial number from your product, specific part numbers, and credit card information available. This will help expedite your call and allow us to provide you with the best consumer service possible. You can reference the parts list located in your manual to identify the specific part numbers.



EMAIL US

You can email our consumer service department with questions regarding your Minn Kota products. To email your question, visit minnkotamotors.com and click on “Support”.



AUTHORIZED SERVICE CENTERS

Minn Kota has over 300 authorized service centers in the United States and Canada where you can purchase parts or get your products repaired. Please visit our Authorized Service Center page on our website to locate a service center in your area.

COMPLIANCE STATEMENTS

ENVIRONMENTAL COMPLIANCE STATEMENT:

It is the intention of JOME to be a responsible corporate citizen, operating in compliance with known and applicable environmental regulations, and a good neighbor in the communities where we make or sell our products.

WEEE DIRECTIVE:

EU Directive 2002/96/EC “Waste of Electrical and Electronic Equipment Directive (WEEE)” impacts most distributors, sellers, and manufacturers of consumer electronics in the European Union. The WEEE Directive requires the producer of consumer electronics to take responsibility for the management of waste from their products to achieve environmentally responsible disposal during the product life cycle.

WEEE compliance may not be required in your location for electrical & electronic equipment (EEE), nor may it be required for EEE designed and intended as fixed or temporary installation in transportation vehicles such as automobiles, aircraft, and boats. In some European Union member states, these vehicles are considered outside of the scope of the Directive, and EEE for those applications can be considered excluded from the WEEE Directive requirement.

This symbol (WEEE wheelie bin) on product indicates the product must not be disposed of with other household refuse. It must be disposed of and collected for recycling and recovery of waste EEE. Johnson Outdoors Inc. will mark all EEE products in accordance with the WEEE Directive. It is our goal to comply in the collection, treatment, recovery, and environmentally sound disposal of those products; however, these requirements do vary within European Union member states. For more information about where you should dispose of your waste equipment for recycling and recovery and/or your European Union member state requirements, please contact your dealer or distributor from which your product was purchased.



DISPOSAL:

Minn Kota motors are not subject to the disposal regulations EAG-VO (electric devices directive) that implements the WEEE directive. Nevertheless never dispose of your Minn Kota motor in a garbage bin but at the proper place of collection of your local town council.

Never dispose of battery in a garbage bin. Comply with the disposal directions of the manufacturer or his representative and dispose of them at the proper place of collection of your local town council.

WARNING: This product contains chemicals known to the State of California to cause cancer and birth defects or other reproductive harm.

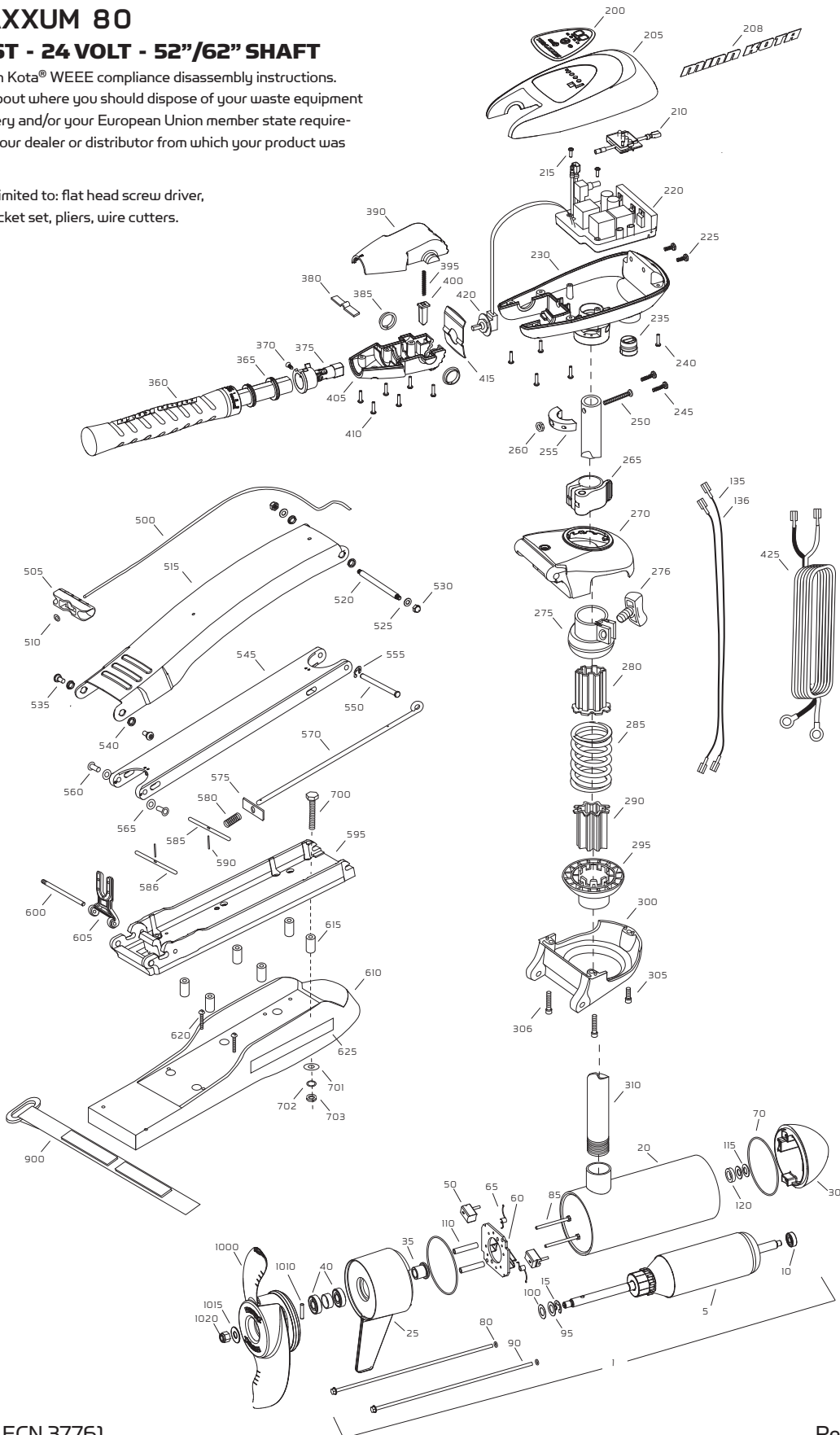
PARTS DIAGRAM

RIPTIDE MAXXUM 80

80 LBS THRUST - 24 VOLT - 52"/62" SHAFT

This page provides Minn Kota® WEEE compliance disassembly instructions. For more information about where you should dispose of your waste equipment for recycling and recovery and/or your European Union member state requirements, please contact your dealer or distributor from which your product was purchased.

Tools required, but not limited to: flat head screw driver, Phillips screw driver, socket set, pliers, wire cutters.



PARTS LIST

RIPTIDE MAXXUM 80

80 LBS THRUST - 24 VOLT - 52"/62" SHAFT

ITEM	QTY	PART NUMBER	DESCRIPTION
1	1	2316228	24V MOTOR 52" SW
		2316226	24V MOTOR 62" SW
5	1	2-100-214	ARMATURE ASSEMBLY
10	1	140-010	BEARING
15	1	788-040	RETAINING RING
20	1	2-200-397	CENTER HOUSING ASSEMBLY
25	1	2-300-340	BRUSH END HOUSING ASSEMBLY
30	1	421-376	PLAIN END HOUSING ASSEMBLY
35	1	144-017	FLANGE BEARING
40	2	880-025	SEAL
50	2	188-094	BRUSH
60	1	9-738-004	BRUSH PLATE ASSEMBLY
65	2	975-041	BRUSH SPRING
70	2	701-043	O-RING, MOTOR
80	2	701-009	O-RING, THRU-BOLT
85	2	830-027	SCREW, 10-32
90	2	830-094	THRU-BOLT
95	2	990-051	WASHER, STEEL
100	2	990-052	WASHER, NYLATRON
110	2	973-025	SPACER, BRUSH PLATE
115	2	992-010	WASHER, BELLEVILLE
120	1	990-045	SPACER THRUST
135	1	640-018	LEADWIRE, BLACK 52"
		640-021	LEADWIRE, BLACK 62"
136	1	640-123	LEADWIRE, RED 52"
		640-126	LEADWIRE, RED 62"
■		2889460	SEAL AND O-RING KIT
200	1	2195659	DECAL, C-BOX COVER
205	1	2060296	C-BOX COVER
208	2	2325666	DECAL - MINNKOTA
210	1	2074081	BATTERY METER, 24V SW
215	2	3043427	SCREW #8 X 7/8 SS
220	1	2184017	CONTROL BOARD 24/36 V
■		2888411	POTENTIOMETER REPLACEMENT KIT
225	2	2303434	SCREW #8-30 X 5/8 SS
230	1	2062538	CONTROL BOX, CAST, SW
235	1	2062905	STRAIN RELIEF
240	6	2303412	SCREW, #6 X 5/8 SS
245	2	2063410	SCREW #10-32 X 3/4" CAP SS
250	1	2093400	SCREW, #10-24 X 1-7/8" PPH SS
255	1	2061529	COLLAR-CTRL BOX (SW)
260	1	2333101	NUT, 10-24, NYLOCK, SS
265	1	2991521	CAM LOCK/DEPTH COLLAR ASSY
■		2991764	BOWGUARD ASSEMBLY [270-306]
270	1	2991779	BRACKET, TOP
275	1	2261525	SPRING SLEEVE, UPPER
276	1	2011366	KNOB, COLLAR
280	2	2264702	TUBE INSERT, BOWMOUNT
285	1	2262705	SPRING, BOWGUARD
295	1	2261535	SPRING SLEEVE, LOWER
300	1	2991777	BRACKET ASSY, BOTTOM
305	1	2263422	SCREW, 5/16 X 1" SHCS SS
306	2	2263424	SCREW, 5/16 X 2.5" SHCS SS
310	1	2002014	TUBE COMPOSITE 52"
		2002015	TUBE COMPOSITE 62"
■		2990957	HANDLE ASSY, VARS [360-410]
360	1	2990456	GRIP/HANDLE ASSY, VARS [360-375]
365	2	2060015	BEARING, HANDLE
370	1	2063405	SCREW, #6 PFH SS
375	1	2884092	YOKE / SPIDER ASSY, VARS
380	1	2302742	SPRING, DETENT, OFF

ITEM	QTY	PART NUMBER	DESCRIPTION
385	2	2060005	BEARING, HANDLE PIVOT
390	1	2060900	HANDLE PIVOT, TOP
395	1	2302745	SPRING, RELEASE BUTTON
400	1	2063700	BUTTON, RELEASE
405	1	2060905	HANDLE PIVOT, BOTTOM
410	6	2303412	SCREW, #6 X 5/8 SS
415	1	2062715	SPRING, HANDLE PIVOT
420	1	2061700	WASHER, POT HOLDER
425	1	2992521	EADWIRE ASSY-HC BOW VAR
■	1	2991845	MOUNT, BOW ASSY W/ BOWGUARD 52" (270-306) (500-625)
	1	2991847	MOUNT, BOW ASSY W/ BOWGUARD 62" (270-306) (500-625)
500	1	2251601	ROPE
505	1	2150400	PULL GRIP
510	1	2151700	WASHER
515	1	2264244	ARM, UPPER, STD, SW 52"
	1	2264249	ARM, UPPER, STD, SW 62"
520	1	2262604	PIN, BOWGUARD, UPPER
525	2	2261722	WASHER, 5/16"
530	2	2223100	NUT, 5/16-18 SS
535	2	2263500	BOLT, SHOULDER
540	2	2293501	BUSHING, SS
545	1	2994351	ARM, LOWER, STD, SW 52"
	1	2994356	ARM, LOWER, STD, SW 62"
550	1	2262622	PIN, CLEVIS SS
555	1	2263011	E-CLIP
560	2	2267318	BUSHING, NYLINER
565		2261708	WASHER, SPACER, .010 THK
570	1	2153603	EYESHAFT, SS 52"
	1	2153605	EYESHAFT, SS 62"
575	1	2262703	SPRING STOP
580	1	2152701	SPRING, LOCK BAR
585	1	2233621	LOCK BAR, FRONT, SS
586	1	2233623	LOCK BAR, BACK, SS
590	2	2152612	SPRING PIN
595	1	2773983	BOWPLATE W/ INSERT, STD, SW 52"
	1	2773982	BOWPLATE W/ INSERT, STD, SW 62"
600	1	2260505	HINGE PIN, SS
605	1	2293811	YOKE, MAX
610	1	2263917	MOTOR REST, STD, SW 52"
	1	2263919	MOTOR REST, STD, SW 62"
615	6	2261505	SPACER, MOTOR REST
620	2	2263434	SCREW, #8, SS
625	2	2065677	DECAL, MOTOR REST
■	1	2994830	BAG ASSEMBLY
700	6	2263431	SCREW, 1/4-20 X 3 1/2" PPH, SS
701	6	2301720	WASHER, RUBBER MOUNTING
702	6	2261713	WASHER, 1/4 SS
703	6	2263101	NUT, 1/4-20 NYLOCK, SS
900	1	2263804	STRAP, HOLD DOWN
■		1378132	PROPELLER KIT WW2
■		2994876	PROPELLER BAG ASSY
1000	1	2331160	PROPELLER WW2
1010	1	2262658	DRIVE PIN, SMALL
1015	1	2091701	WASHER, PROP, SMALL
1020	1	2198401	NUT, NYLOCK, PROP, SMALL

■ THIS ITEM IS PART OF AN ASSEMBLY.

*THIS ITEM IS PART OF A KIT AND ONLY LISTED FOR VIEWING PURPOSES.

RECOMMENDED ACCESSORIES

ON-BOARD & PORTABLE BATTERY CHARGERS

Stop buying new batteries and start taking care of the ones you've got. Many chargers can actually damage your battery over time – creating shorter run times and shorter overall life. Digitally controlled Minn Kota chargers are designed to provide the fastest charge that protect and extend battery life.



MK345PC



MK210D



MK110P

TALON SHALLOW WATER ANCHOR

Talon deploys faster, holds stronger and runs quieter than any other shallow water anchor. Available in depths up to 12' and bold color options including camo, it boasts an arsenal of features and innovations that no other anchor can touch:



- Vertical, Multi-Stage Deployment
- User-Selectable Anchoring Modes
- 2x Anchoring Force
- Fast Deploy
- Auto Up/Down
- Triple Debris Shields
- Built-In Wave Absorption
- Noise Dissipation
- Versatile Adjustments

MINN KOTA ACCESSORIES

We offer a wide variety of trolling motor accessories, including:



- 60-Amp Circuit Breaker
- Mounting Brackets
- Stabilizer Kits
- Extension Handles
- Battery Connectors
- Battery Boxes
- Quick Connect Plugs

For a complete listing of Minn Kota accessories, visit minnkotamotors.com

Follow us:



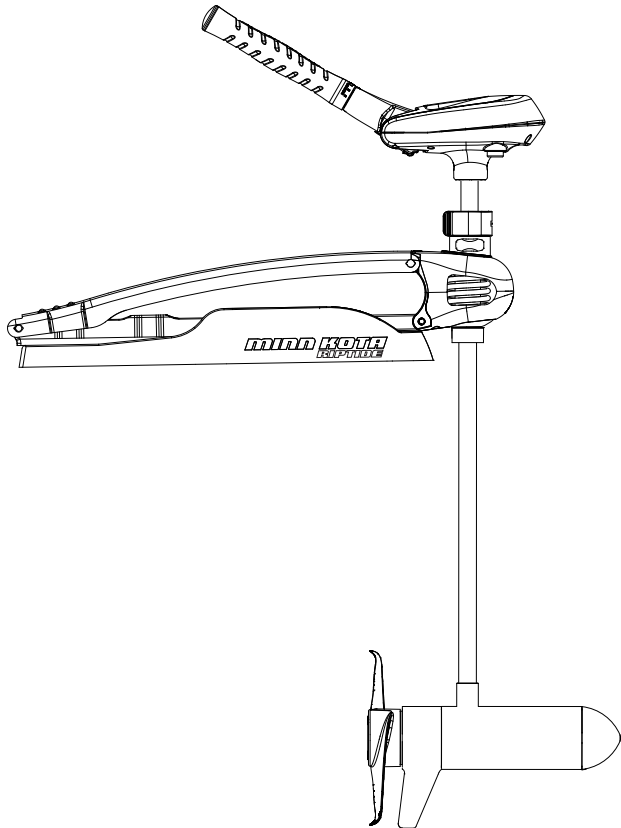
minnkotamotors.com

Minn Kota Consumer & Technical Service
Johnson Outdoors Marine Electronics, Inc.
PO Box 8129
Mankato, MN 56001

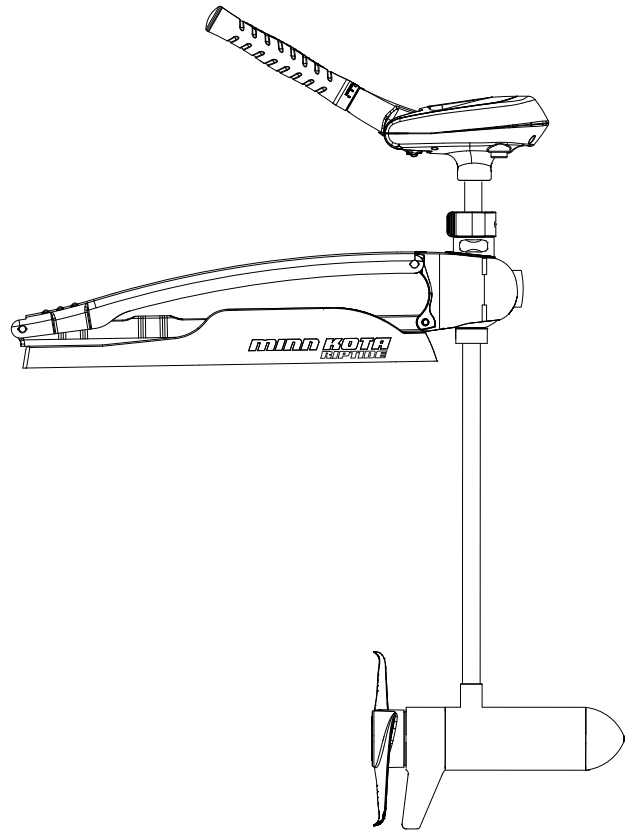
121 Power Drive
Mankato, MN 56001
Phone (800) 227-6433
Fax (800) 527-4464



©2016 Johnson Outdoors Marine Electronics, Inc.
All rights reserved.



BowGuard 360°[®]



Verrou et Porte

RIPTIDE[®] MAXXUM[®]

MOTEUR DE PÊCHE À LA TRAÎNE
MONTÉ SUR L'ÉTRAVE

MANUEL DE L'UTILISATEUR

MANUEL CE D'UN MASTER (CE CERTIFIED MODELS)

MERCI

Nous vous remercions d'avoir choisi Minn Kota. Nous sommes persuadés que vous devriez consacrer plus de temps à pêcher et moins de temps à amarrer votre embarcation. C'est pourquoi nous construisons les propulseurs électriques les plus intelligents, les plus solides et les plus intuitifs. Chaque aspect d'un propulseur électrique Minn Kota est envisagé et étudié jusqu'à ce qu'il soit digne de porter notre nom. Des heures incalculables de recherche et d'essai vous assurent les avantages d'un article Minn Kota qui vous mènera n'importe où, et n'importe quand. Notre principe est simple, nous faisons les choses selon les règles. Nous sommes Minn Kota. Et nous ne cesserons jamais de vous aider à pêcher plus de poissons.

N'OUBLIEZ PAS DE CONSERVER VOTRE REÇU ET D'ENREGISTRER IMMÉDIATEMENT VOTRE PROPULSEUR ÉLECTRIQUE.

Un formulaire d'enregistrement est compris ou vous pouvez remplir le formulaire d'enregistrement par Internet sur le site Web minnkotamotors.com.

REMARQUE : ne pas retourner le moteur Minn Kota au détaillant. Le détaillant n'est pas autorisé à réparer ou à remplacer cet appareil. Pour le service communiquer avec Minn Kota au +1 (800) 227-6433; retourner le moteur au Centre de service de l'usine de Minn Kota; envoyer ou apporter le moteur à un centre de service agréé de Minn Kota. Une liste de centres de service agréés est disponible sur notre site Web minnkotamotors.com. Pour obtenir un service au titre de la garantie, y compris toutes les options susmentionnées, veuillez inclure la preuve d'achat, le numéro de série et la date de l'achat.

Veillez lire attentivement ce manuel de l'utilisateur. Suivre toutes les instructions et tenir compte de toutes les consignes de sécurité et les mises en garde décrites ci-dessous. L'utilisation de ce moteur n'est autorisée que pour les personnes qui ont lu et compris ces consignes pour l'utilisateur. Les personnes mineures peuvent utiliser ce moteur uniquement sous la supervision d'un adulte.

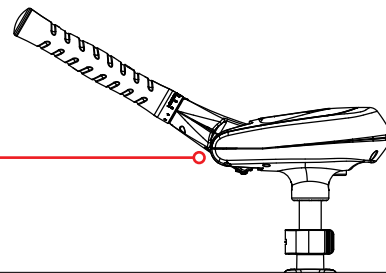
ATTENTION : ne jamais faire fonctionner le moteur hors de l'eau, puisque cela entraînerait des blessures causées par l'hélice en rotation. Le moteur doit être débranché de la source d'alimentation lorsqu'il n'est pas utilisé ou lorsqu'il est hors de l'eau. Au moment de brancher les câbles d'alimentation du moteur à la batterie, veiller à ce qu'ils ne soient pas entortillés ou exposés au frottement, puis les placer de telle manière que les personnes ne puissent pas faire trébucher. Avant d'utiliser le moteur, s'assurer que l'isolant des câbles d'alimentation n'est pas endommagé. Ne pas tenir compte de ces mesures de sécurité peut entraîner des courts-circuits avec les batteries et/ou le moteur. Toujours débrancher le moteur des batteries avant le nettoyage ou la vérification de l'hélice. Éviter de submerger complètement le moteur, car l'eau pourrait pénétrer dans l'unité inférieure par la tête de contrôle et l'arbre. Si le moteur est utilisé alors que de l'eau est présente dans l'unité inférieure, ce dernier pourrait subir des dommages considérables. Ces dommages ne seront pas couverts par la garantie.

ATTENTION : veillez à ce que ni vous, ni les autres personnes ne s'approchent trop près de l'hélice en rotation, que ce soit seulement avec une partie du corps ou des objets. Le moteur est puissant et pourrait provoquer des situations périlleuses ou des blessures, pour vous ou les autres. Lorsque le moteur est en marche, se méfier des objets flottants ou des personnes qui pourraient être en train de nager. Les personnes, dont les réactions ou la capacité à faire fonctionner le moteur est/sont affaiblie (s) par l'alcool, la drogue, les médicaments ou d'autres substances, ne sont pas autorisées à utiliser ce moteur. Ce moteur n'est pas adapté à l'utilisation dans de forts courants. Le niveau de pression sonore constant du moteur au moment de l'utilisation est inférieur à 70 dB (A). Le niveau de vibration général ne dépasse pas 2,5 m/s².

LOCALISATION DU NUMÉRO DE SÉRIE

Le numéro de série à 11 caractères Minn Kota est très important. Il permet de déterminer le modèle spécifique et l'année de fabrication. Lorsque vous contactez le service à la clientèle ou que vous enregistrez votre article, vous aurez besoin du numéro de série de votre article. Nous vous suggérons d'inscrire le numéro de série dans l'espace fourni ci-dessous afin qu'il soit disponible ultérieurement.

Le numéro de série de votre Maxxum se trouve sous la barre d'inclinaison.



Modèle : _____

Numéro de série : _____

Date de l'achat : _____

Magasin où l'achat a été effectué : _____

TABLE DES MATIÈRES

Garantie Limitée de Deux Ans	26
Caractéristiques	27
Installation du Support	28-31
Installation de la Batterie et du Câblage	32-33
Gréement de l'embarcation et Installation du Produit	32
Tableau des Dimensions de Gabarit des Conducteurs et Disjoncteurs	32
Gabarit « Pousoir d'essai » de la batterie	32
Sélectionner une Batterie Adéquate	33
Comment raccorder la Batterie	33
Schéma de Câblage du Moteur	34-35
Utilisation et Réglage du Moteur	36-38
L'arrimage et le Déploiement du Moteur	36
Réglage de la Profondeur du Moteur	37
Réglage de la Direction	37
Réglage de la Barre d'Inclinaison/d'Extension Tiller	38
Service et Entretien	39
Remplacement de l'Hélice	39
Entretien Général	39
Dépannage et Réparation	40
Déclaration de Conformité	41
Schéma des Pièce	42
Liste des Pièces	43

GARANTIE LIMITÉE DE DEUX ANS

GARANTIE LIMITÉE DES MOTEURS DE PÊCHE À LA TRAÎNE EN EAU SALÉE MINN KOTA

Johnson Outdoors Marine Electronics, Inc. (« JOME ») offre la garantie limitée suivante uniquement à l'acheteur au détail initial. La garantie n'est pas transférable.

GARANTIE LIMITÉE DE DEUX ANS DE MINN KOTA SUR L'ENSEMBLE DU PRODUIT

JOME garantit à l'acheteur au détail initial seulement que son nouveau moteur de pêche à la traîne en eau salée Minn Kota est exempt de défauts résultant d'un vice de fabrication et de main-d'œuvre pour une période de deux (2) ans suivant la date d'achat. JOME se réserve le droit de réparer ou de remplacer, au choix et gratuitement, toute pièce pouvant s'avérer défectueuse pendant la durée de la présente garantie. Cette réparation ou ce remplacement est l'unique et exclusive responsabilité de JOME et constitue le seul recours de l'acheteur pour tout manquement à la présente garantie.

GARANTIE À VIE LIMITÉE DE MINN KOTA SUR L'ARBRE COMPOSITE

JOME garantit uniquement à l'acheteur au détail initial que l'arbre composite de son propulseur électrique Minn Kota est exempt de défauts résultant d'un vice de fabrication et de main-d'œuvre pouvant survenir au cours de la durée de vie de l'acheteur initial. JOME fournira, gratuitement, un arbre composite neuf pour remplacer tout arbre composite pouvant s'avérer défectueux pendant la durée de la présente garantie. Fournir un arbre composite neuf sera la seule et exclusive responsabilité de JOME et le seul et unique recours de l'acheteur pour tout manquement à la présente garantie; et l'acheteur sera responsable de l'installation ou du coût de la main-d'œuvre pour l'installation de tout arbre composite neuf, fourni par JOME.

EXCLUSIONS & LIMITATIONS

La présente garantie limitée ne s'applique pas aux produits qui ont été utilisés en eau salée, en eau saumâtre ou à des fins commerciales ou locatives. Cette garantie ne couvre pas l'usure normale, les imperfections qui n'affectent pas le fonctionnement du moteur, ni les dommages causés par les accidents, l'abus, l'altération, la modification, les dommages durant le transport, les désastres naturels, la négligence de l'utilisateur, l'utilisation abusive, un soin ou un entretien inadéquat. **LES DOMMAGES CAUSÉS PAR L'UTILISATION DE PIÈCES DE REMPLACEMENT NON CONFORMES AUX SPÉCIFICATIONS DE CONCEPTION DES PIÈCES ORIGINALES NE SONT PAS COUVERTS PAR LA PRÉSENTE GARANTIE LIMITÉE.** Le coût de l'entretien normal ou des pièces de rechange qui ne contreviennent pas à la garantie limitée incombe à l'acheteur. Avant utilisation, l'acheteur doit déterminer si le produit convient à l'emploi prévu et assume tous les risques et responsabilités connexes. Toute assistance fournie par JOME à l'acheteur ou au nom de ce dernier hors du cadre des modalités, des restrictions et des exclusions de la présente garantie limitée ne constitue pas une renonciation à l'égard de telles modalités, restrictions ou exclusions, et une telle assistance n'aura pas pour effet de prolonger ni de restaurer la garantie. JOME ne remboursera aucune dépense encourue par l'acheteur dans le cadre de la réparation, de la correction ou du remplacement de pièces ou de produits défectueux, à l'exception des dépenses engagées sur consentement écrit préalable de JOME. **LA RESPONSABILITÉ GLOBALE DE JOME À L'ÉGARD DES PRODUITS COUVERTS PAR LA GARANTIE EST LIMITÉE À UN MONTANT ÉQUIVALENT AU PRIX D'ACHAT PAYÉ POUR LE PRODUIT EN QUESTION.**

INFORMATION SUR LE SERVICE MINN KOTA

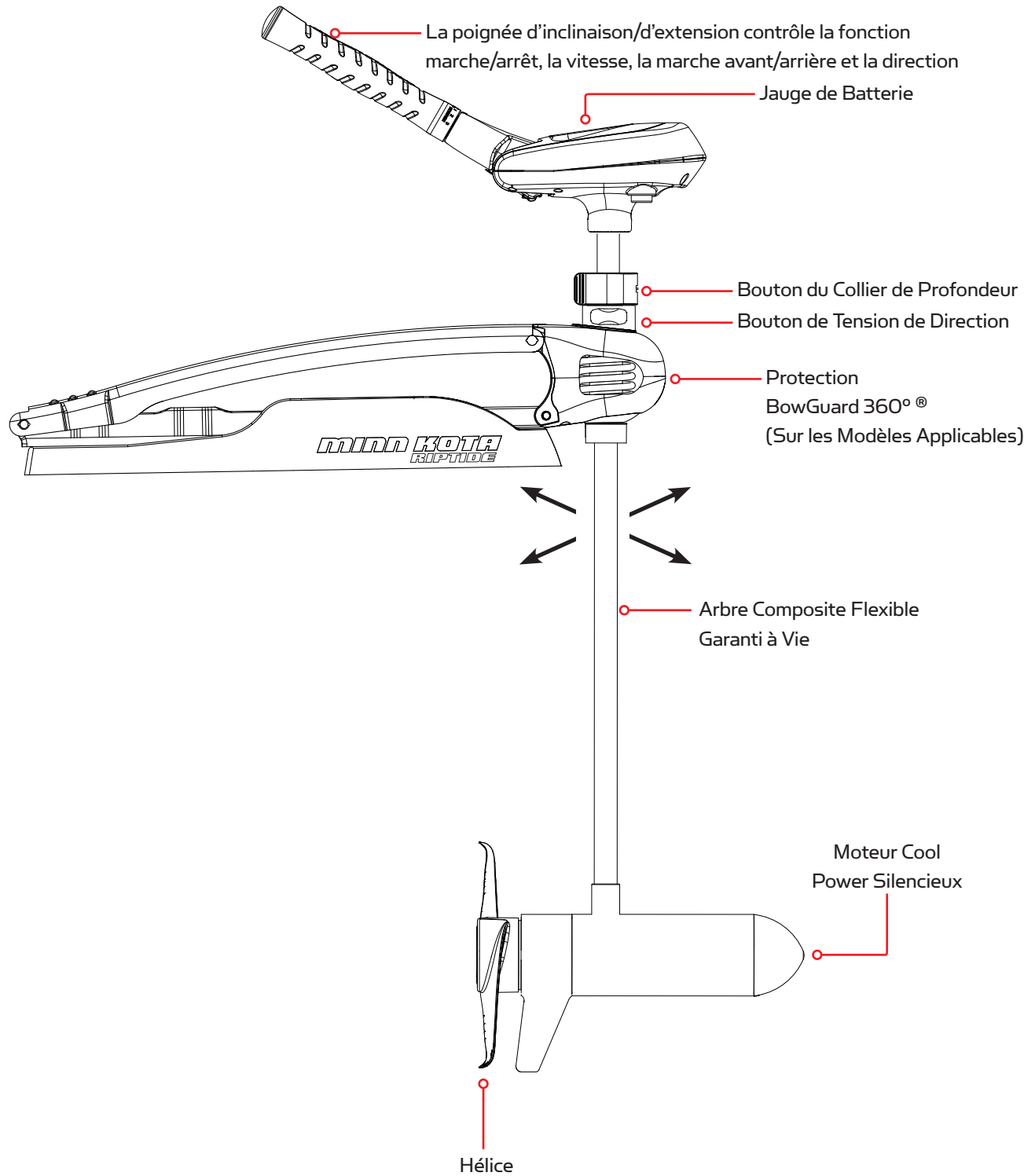
Pour obtenir le service au titre de la garantie aux États-Unis, le produit jugé défectueux et la preuve d'achat originale (comportant la date d'achat), doivent être présentés à un centre de service agréé Minn Kota ou au centre de service de l'usine de Minn Kota à Mankato, au Minnesota. Tous les frais encourus pour des appels de service, de transport ou d'expédition à destination ou à partir du centre de service agréé ou de l'usine Minn Kota, de main-d'œuvre pour transporter, retirer, réinstaller ou regréer les articles retirés pour le service de garantie, ou tout autre élément similaire, sont sous la seule et unique responsabilité unique et exclusive de l'acheteur. Les articles achetés à l'extérieur des États-Unis doivent être retournés, port payé avec la preuve d'achat (y compris la date d'achat et le numéro de série), à tout centre de service agréé Minn Kota dans le pays de l'achat. Le service au titre de la garantie peut être obtenu en communiquant avec le centre de service agréé de Minn Kota ou l'usine au +1 (800) 227-6433 ou par courriel à l'adresse suivante service@minnkotamotors.com. Les produits réparés ou remplacés seront garantis pour la durée restante de la période de garantie initiale [ou pendant 90 jours à compter de la date de réparation ou de remplacement, la période la plus longue étant retenue]. Tout produit retourné aux fins de services en vertu de la garantie qui, selon JOME, n'est pas couvert par la garantie limitée ou n'y contrevient pas sera facturé pour les services rendus au taux horaire de main-d'œuvre affiché en vigueur, pour une facturation minimale d'une heure.

REMARQUE: ne pas retourner l'article Minn Kota au détaillant. Le détaillant n'est pas autorisé à le réparer ou à le remplacer.

IL N'Y A AUCUNE GARANTIE EXPRESSE AUTRE QUE LES PRÉSENTES GARANTIES LIMITÉES. AUCUNE GARANTIE IMPLICITE, Y COMPRIS QUELQUE GARANTIE IMPLICITE DE QUALITÉ MARCHANDE OU D'ADÉQUATION À UN USAGE PARTICULIER, NE SE PROLONGERA AU-DELÀ DE LA DURÉE DE LA PRÉSENTE GARANTIE LIMITÉE EXPRESSE. JOME NE POURRA EN AUCUNE FAÇON ÊTRE TENUE RESPONSABLE DES DOMMAGES PUNITIFS, INDIRECTS, ACCESSOIRES, CONSÉCUTIFS OU PARTICULIERS. Sans limiter la portée de ce qui précède, JOME décline toute responsabilité en cas de perte d'utilisation du produit, perte de temps, d'inconvénient et d'autre dommage.

Certains états ne permettent pas de limites sur la durée d'une garantie implicite ou l'exclusion ou limitation des dommages accessoires ou indirects, donc, les limitations ou exclusions ci-dessus peuvent ne pas s'appliquer à vous. La présente garantie vous donne des droits légaux spécifiques et vous pouvez également bénéficier d'autres droits qui varient d'un État à l'autre.

CARACTÉRISTIQUES



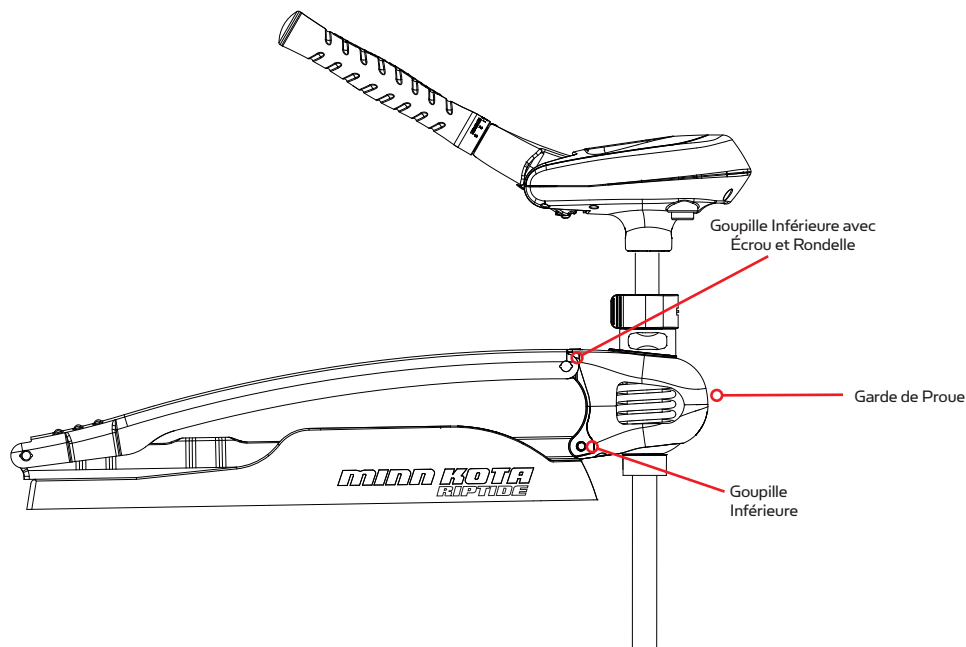
Les spécifications sont sujettes à changement sans préavis.

Le schéma est fourni aux fins de référence seulement et peut différer de votre moteur actuel.

INSTALLATION DU SUPPORT

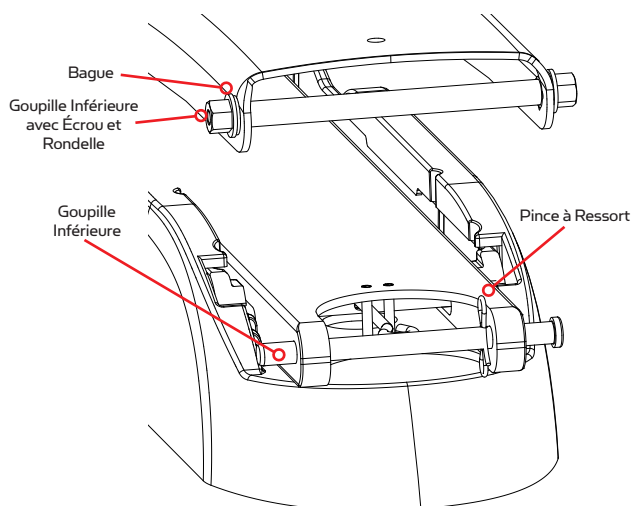
OUTILS ET RESSOURCES NÉCESSAIRES:

- Clés de 12,7 mm (1/2 po)
- Pincés standard ou à becs fins
- Une deuxième personne pour vous aider avec l'installation

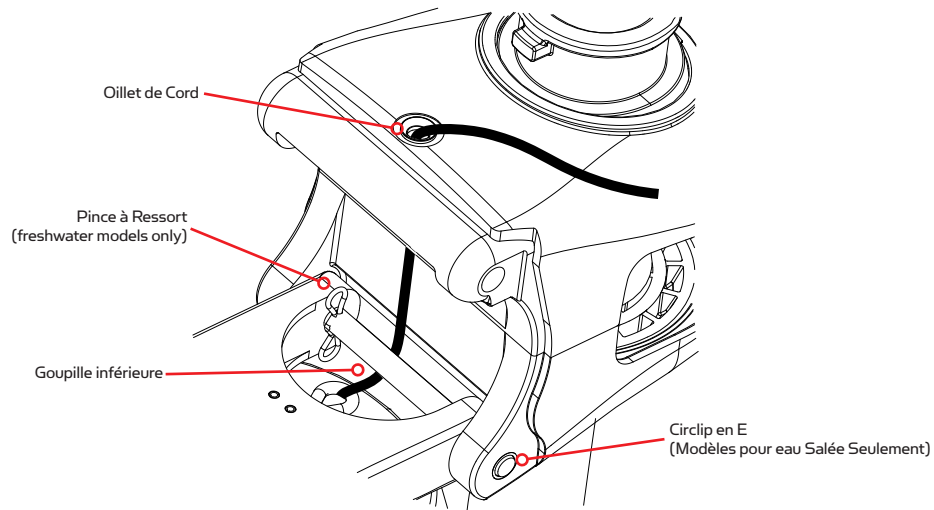


INSTALLATION DU MOTEUR SUR LE MONTANT

1. Le montant fermé comme montré ci-dessous, servez-vous de deux clés de 12,7 mm (1/2 po) pour enlever un des deux écrous «nylock» et rondelles de la goupille supérieure, puis enlevez la goupille du montant.
RERMARQUE: Les deux bagues dans le bras supérieur peuvent sortir. Dans ce cas, gardez-les pour les remonter plus tard.
2. Au moyen de pincés, enlevez le circlip papillon sur les modèles d'eau douce (ou le circlip en E sur les modèles pour eau salée) de la goupille inférieure et enlevez-la du montant.

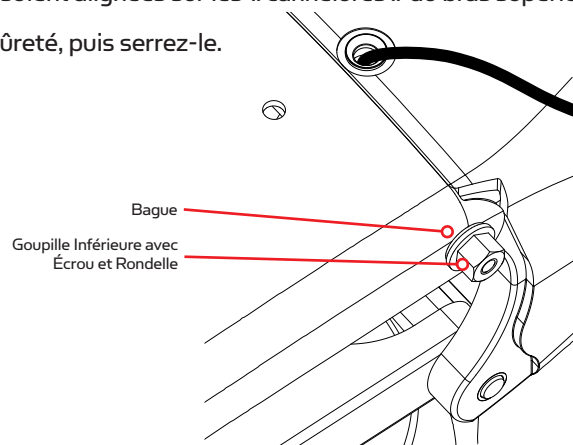


3. Ouvrez le bras supérieur, tournez et posez-le à l'écart de l'assemblage du bras inférieur.
4. Alignez le bras inférieur et les oreilles du garde de pouve inférieur, puis insérez la goupille inférieure.
5. Remontez le circlip papillon dans la goupille inférieure sur les modèles pour eau douce ou le circlip en E sur les moteurs pour eau salée.
6. Acheminez la corde sous la goupille inférieure et dans l'oillet du garde de pouve.

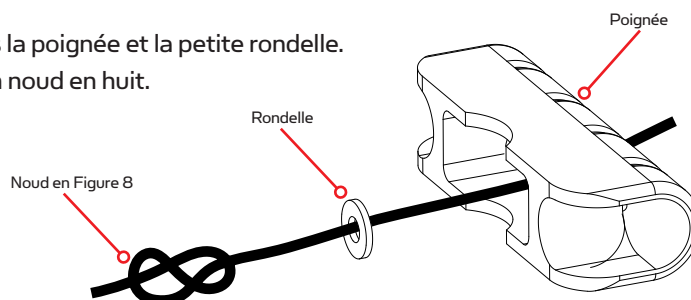


7. Tournez le bras supérieur sur le garde de pouve.
8. Alignez les trous du bras supérieur sur les oreilles du garde de pouve supérieur et installez la goupille supérieure.
REMARQUE: Les deux bagues dans le bras supérieur peuvent sortir. Remettez-les dans le bras supérieur en vous assurant que les « clavettes » des garnitures soient alignées sur les « cannelures » du bras supérieur.

9. Remontez la rondelle et l'écrou de sûreté, puis serrez-le.



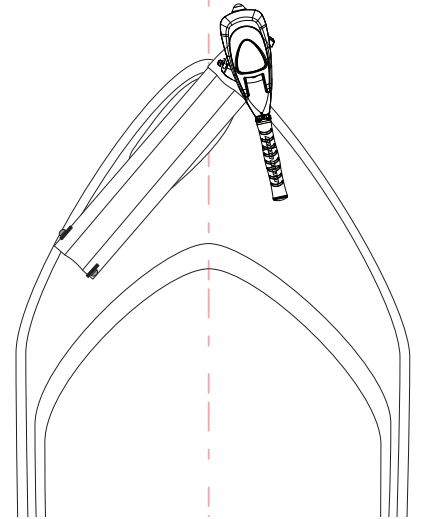
10. Acheminez la corde dans la poignée et la petite rondelle. Attachez-la en faisant un nœud en huit.



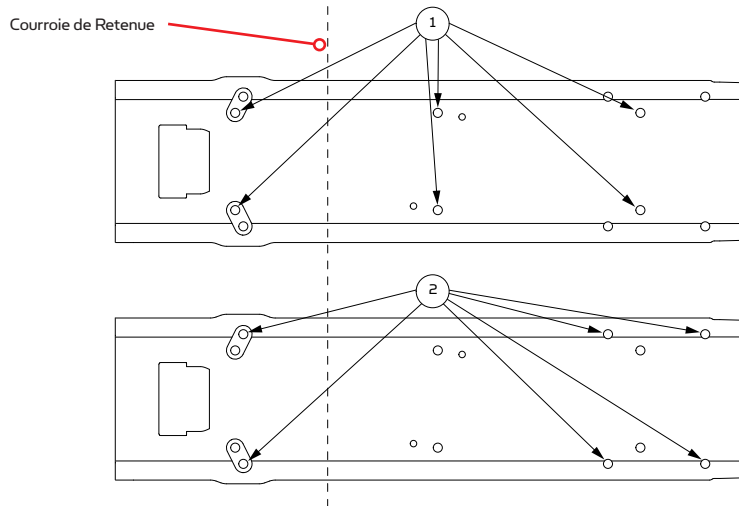
MONTAGE SUR LA PROUE

Il est recommandé de se faire assister pour cette procédure.

1. Pour la pose, ne séparez pas l'arbre/moteur du garde-proue Bowguard. **Le ressort du garde-proue est sous tension et doit toujours rester assuré.** Le verrou et les modèles de porte peuvent être retirés de la montage si nécessaire.
2. Posez le support, le moteur ramené à fond (à plat), sur le pont du bateau:
 - Montez le moteur le plus près possible de l'axe du bateau.
 - Assurez-vous qu'il n'y a pas d'obstacle au perçage dans la zone de la proue située sous l'emplacement choisi.
 - Assurez-vous que le support du moteur est assez loin du bord du bateau. Le moteur ne doit rencontrer aucun obstacle lorsqu'il est abaissé ou remonté.
3. Une fois en position, déterminer quels boulonnage doit être utilisé (voir ci-dessous), marquer au moins 4 des trous (2 de chaque côté) dans la plaque de l'arc et la percer avec une mèche de 9/32 po (7,1 mm). Un ou l'autre modèle peut servir lors de l'installation du moteur.
 - Modèle 1: Modèle de boulons Minn Kota 3 po (76,2 mm) pour moteurs standards.
 - Modèle 2: Modèle de boulonnage alternatif de 4 po (101,6 mm) utilisé communément.



4. Installez la bande de crochet et boucle entre le moteur et le pont du bateau, entre les deuxième et troisième jeux de trous de montage.



5. Montez la plaque sur la proue par les trous percés au moyen des boulons de 1/4-20 x 8,89 cm (3-1/2 po), écrous et rondelles fournis.

REMARQUE: Si possible, fixez tous les jeux de boulons, écrous et rondelles de montage.

6. Installez le stabilisateur de montant de proue (si compris). voir la section suivante pour se instructions d'installation.

INSTALLATION DE L'ENSEMBLE STABILISATEUR DU SUPPORT DE MONTAGE DE PROUE

Outils Nécessaires:

- Scie à Main
- Tournevis à Douille de 3/8 po (1 cm)
- Lime ou Papier Sablé

1. Placez le moteur dans la position d'arrimage.
2. Mesurez du trou de vis dans le bras supérieur jusqu'au pont ou au plat bord du bateau. Ajoutez 3/4 po (1,9 cm) au total pour obtenir la longueur appropriée de l'arbre-support (image 1).
3. Coupez le bas de l'arbre-support avec une scie à main pour obtenir la bonne longueur. Arrondissez le bord coupé avec la lime ou le papier sablé. Attachez le butoir en caoutchouc.
4. Fixez l'arbre-support au support de montage de proue avec une vis à tête hexagonale de 1/4 po (0,6 cm) et une rondelle Grower sur le dessus et une dessous le bras du support de montage de proue (image 2).

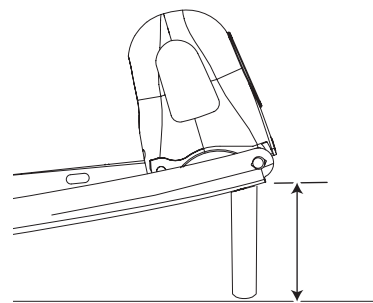


Image 1

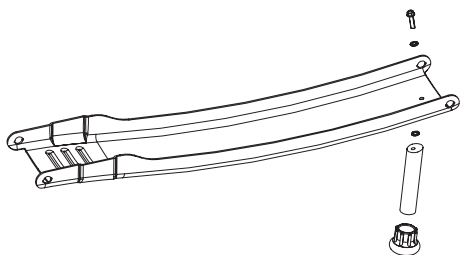


Image 2

5. Vérifiez que le moteur est verrouillé en position d'arrimage lorsqu'il est rétracté. Le stabilisateur devrait soutenir le support de montage de proue afin d'empêcher le rebondissement, mais ne pas interférer avec le système de verrouillage (image 3). Ajustez la longueur du stabilisateur, au besoin.

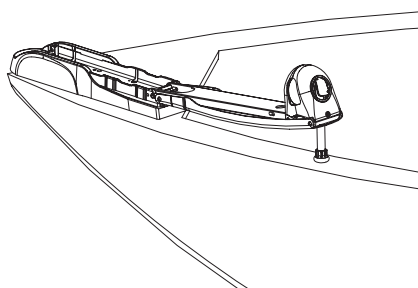


Image 3

INSTALLATION DE LA COURROIE DE RETENUE

(Non inclus sur tous les modèles)

1. Avant de monter le moteur de traîne, placez la courroie de retenue sous le support de montage de proue, entre les trous de montage près de l'arrière du support du moteur, avec le côté à boucles et à crochets de la courroie vers le bas (image 4).
2. Fixez le support de montage de proue avec les boulons de montage afin de saisir la courroie.
3. Pour arrimer le moteur, tirez la courroie par l'anneau rectangulaire jusqu'à ce qu'elle soit serrée. Poussez le coussinet à boucles de la courroie contre le coussinet à crochets et fixez (image 5). Cela devrait être utilisé chaque fois que le moteur est arrimé.

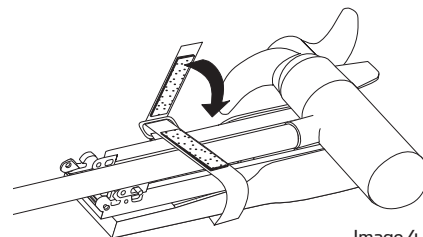


Image 4

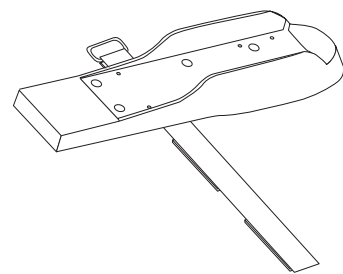


Image 5

INSTALLATION DES BATTERIES ET DU CÂBLAGE

GRÉEMENT DE L'EMBARCATION ET INSTALLATION DU PRODUIT

Pour des raisons de sécurité et de conformité, nous vous recommandons de suivre les normes du conseil américain sur les embarcations et les yachts (ABYC) pour le gréement de l'embarcation. Les altérations dans le câblage de l'embarcation devraient être complétées par un technicien de marine qualifié. Les spécifications suivantes sont seulement des lignes directrices générales:

MISE EN GARDE! ces lignes directrices s'appliquent au gréement général pour soutenir le moteur de Minn Kota. L'alimentation de multiples moteurs ou d'autres appareils électriques, à partir du même circuit d'alimentation, peut influencer sur le gabarit de conducteurs et le dimensionnement des disjoncteurs recommandé. Pour un fil plus long que celui fourni avec l'appareil, suivre le tableau de dimensionnement de gabarit des conducteurs et des disjoncteurs du tableau ci-dessous. Si la longueur totale de la rallonge est de plus de 25 pi (7,60 m), nous vous recommandons de communiquer avec un technicien maritime qualifié.

Un dispositif de protection contre la surintensité (disjoncteur ou fusible) doit être utilisé. Les préalables de la garde côtière exigent que chaque conducteur de courant, qui n'est pas fixé, soit protégé par un fusible ou un disjoncteur qui se réinitialise manuellement et qui ne peut se déclencher automatiquement. Le dimensionnement du type (courant et tension de puissance nominale) de fusible ou de disjoncteur doit être choisi en fonction du propulseur électrique utilisé. Le tableau ci-dessous donne les lignes directrices recommandées pour ce qui est du dimensionnement des disjoncteurs.

Référence :

Le code des règlements fédéraux des États-Unis : article 183 du titre 33 du CFR - Embarcations et équipements associés ABYC E-11 : systèmes électriques CA et CC sur les embarcations.

TABLEAU DES DIMENSIONS DE GABARIT DES CONDUCTEURS ET DISJONCTEURS

Modèle / poussée du moteur	Courant Tiré Max	Disjoncteur	Longueur de la Rallonge*				
			1.5 mètres	3 mètres	4.5 mètres	6 mètres	7.5 mètres
30 lb.	30	50 Amp @ 12 VDC	6 mm ²	6 mm ²	10 mm ²	16 mm ²	25 mm ²
40 lb., 45 lb.	42		6 mm ²	10 mm ²	16 mm ²	25 mm ²	25 mm ²
50 lb., 55 lb.	50	60 Amp @ 12 VDC	10 mm ²	16 mm ²	25 mm ²	25 mm ²	35 mm ²
70 lb.	42	50 Amp @ 24 VDC	6 mm ²	6 mm ²	10 mm ²	10 mm ²	16 mm ²
80 lb.	56	60 Amp @ 24 VDC	10 mm ²	10 mm ²	10 mm ²	16 mm ²	16 mm ²
101 lb.	46	50 Amp @ 36 VDC	10 mm ²	10 mm ²	10 mm ²	10 mm ²	10 mm ²
Engine Mount 101	50	60 Amp @ 36 VDC	10 mm ²	16 mm ²	25 mm ²	25 mm ²	35 mm ²
112 lb.	52	60 Amp @ 36 VDC	10 mm ²	10 mm ²	10 mm ²	10 mm ²	10 mm ²
Engine Mount 160	116	(2) x 60 Amp @ 24 VDC	35 mm ²	35 mm ²	35 mm ²	35 mm ²	35 mm ²
E-Drive	40	50 Amp @ 48 VDC	6 mm ²	6 mm ²	6 mm ²	6 mm ²	6 mm ²

Le présent tableau des dimensions de gabarit des conducteurs et disjoncteurs est uniquement valable pour les hypothèses suivantes:

1. Il n'y a pas plus de 3 conducteurs qui sont regroupés à l'intérieur d'une gaine ou d'un conduit à l'extérieur de l'espace moteur.
2. Chaque conducteur est muni d'un isolant d'une température nominale de 105 °C.
3. Aucune chute de tension de plus de 5 % n'est autorisée lorsque le moteur est à plein régime, en fonction des exigences en matière d'alimentation du produit qui ont été publiées.

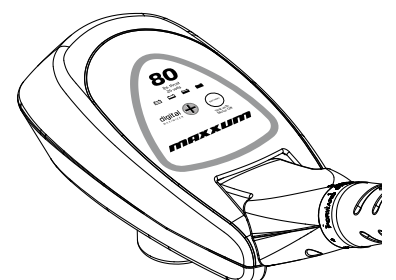
***La longueur de la rallonge fait référence à la distance séparant les batteries des fils du propulseur électrique.**

GABARIT « POUSSOIR D'ESSAI » DE LA BATTERIE

La batterie de ce moteur est munie d'un gabarit « Poussoir d'essai ». La DEL assure un affichage précis de la charge restante dans la batterie. Il est uniquement précis lorsque le moteur est coupé.

Le gabarit se lit comme suit:

- Un voyant indique une recharge.
- Deux voyants indiquent une faible charge.
- Trois voyants indiquent une bonne qualité de charge.
- Quatre voyants indiquent une pleine charge.



SÉLECTIONNER UNE BATTERIE ADÉQUATE

Le moteur fonctionnera avec toute batterie marine plomb/acide à décharge profonde de 12 volts. Pour un meilleur résultat, utiliser une batterie marine à décharge profonde avec ampérage nominal d'au moins 105 ampères/heure. Selon une estimation générale effectuée sur l'eau, votre moteur de 12 volts utilisera un ampère par heure et votre moteur de 24 volts, 0,75 ampère par heure, pour chaque coup de poussée produite lorsque le moteur tourne à plein régime. L'ampérage réel utilisé est en fonction des conditions environnementales spécifiques et des exigences de fonctionnement. Maintenir la batterie complètement chargée. Un entretien adéquat fera en sorte que le courant sera disponible le moment venu et améliorer considérablement la durée de vie de la batterie. Le fait de ne pas recharger les batteries au plomb (dans les 12 à 24 heures) est la principale cause de défaillance prématurée de celles-ci. Utiliser un chargeur à taux variable afin d'éviter une surcharge. Nous offrons une vaste sélection de chargeurs en fonction de vos besoins. Si vous utilisez une batterie à manivelle pour démarrer un moteur hors-bord à essence, nous vous recommandons d'utiliser des batteries marines à décharge profonde séparées pour votre propulseur électrique Minn Kota.

Conseils concernant les batteries :

- ne jamais brancher les bornes (+) et (-) de la même batterie ensemble. S'assurer qu'aucun objet métallique ne puisse tomber sur la batterie et provoquer un court-circuit aux bornes. Cela provoquerait immédiatement un court-circuit et un risque extrême d'incendie.
- Il est fortement recommandé d'utiliser un disjoncteur ou un fusible avec ce propulseur électrique. Consulter le « Tableau des dimensions de gabarit des conducteurs et disjoncteurs » dans la section précédente pour trouver le disjoncteur ou fusible approprié convenant à votre moteur. Pour les moteurs nécessitant un disjoncteur de 60-A, le disjoncteur Minn Kota MKR-19 60-A est recommandé.

COMMENT RACCORDER LA BATTERIE

SYSTÈMES DE 12 VOLTS:

1. S'assurer que le moteur est coupé (sélecteur de vitesse sur « 0 »).
2. Raccorder le fil rouge positif (+) à la borne positive (+) de la batterie.
3. Raccorder le fil noir négatif (-) à la borne négative (-) de la batterie.
4. Pour des raisons de sécurité, ne pas allumer le moteur jusqu'à ce que l'hélice soit dans l'eau.

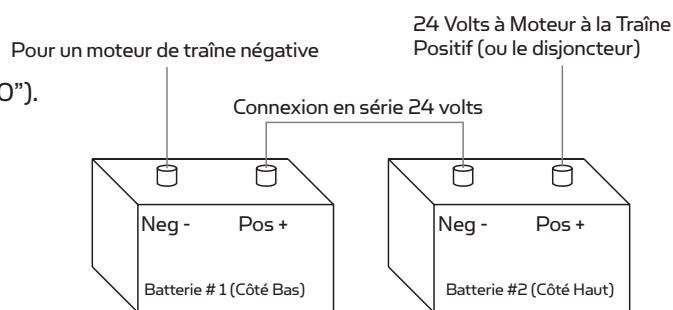
MISE EN GARDE

Pour des raisons de sécurité, débrancher le moteur des batteries lorsque le moteur n'est pas utilisé ou pendant la charge.

COMMENT BRANCHER LES BATTERIES

SYSTÈMES DE 24 VOLTS :

1. Assurez-vous que le moteur est éteint (sélecteur de vitesse sur "0").
2. Deux batteries de 12 volts sont nécessaires.
3. Les batteries doivent être branchées en série, uniquement tel qu'illustré dans le schéma de câblage, afin de fournir 24 volts.
 - a. Branchez un câble de raccordement à la borne positive (+) de la batterie 1 et à la borne négative (-) de la batterie 2.
 - b. Branchez le fil rouge positif (+) à la borne positive (+) sur la batterie 2.
 - c. Branchez le fil noir négatif (-) à la borne négative (-) de la batterie 1.
4. Pour des raisons de sécurité, n'allumez pas le moteur jusqu'à ce que l'hélice soit dans l'eau. Si vous installez un raccordement en fil de plomb, respectez les polarités appropriées et suivez les instructions qui se trouvent dans votre manuel du propriétaire du bateau. Voir le schéma de câblage sur les pages suivantes.



Deux batteries 12 volts connectées en série pour 24 volts

CAUTION

- **Pour des raisons de sécurité, débrancher le moteur des batteries lorsque le moteur n'est pas utilisé ou pendant la charge.**
- **Une mauvaise installation du câblage des systèmes de 24/36 volts pourrait provoquer une explosion des batteries!**
- **Gardez les écrous papillons des raccordements solides et bien serrés autour des bornes de la batterie.**
- **Installez la batterie dans un compartiment ventilé.**

SCHÉMA DE CÂBLAGE DU MOTEUR

REMARQUE: Il s'agit d'un schéma multi-tensions universel. Vérifier à nouveau la tension du moteur afin de vous assurer que les raccordements sont appropriés. Les dispositifs de protection contre la surintensité ne figurent pas dans cette illustration.

BOÎTE DE CONTRÔLE DE VITESSE VARIABLE

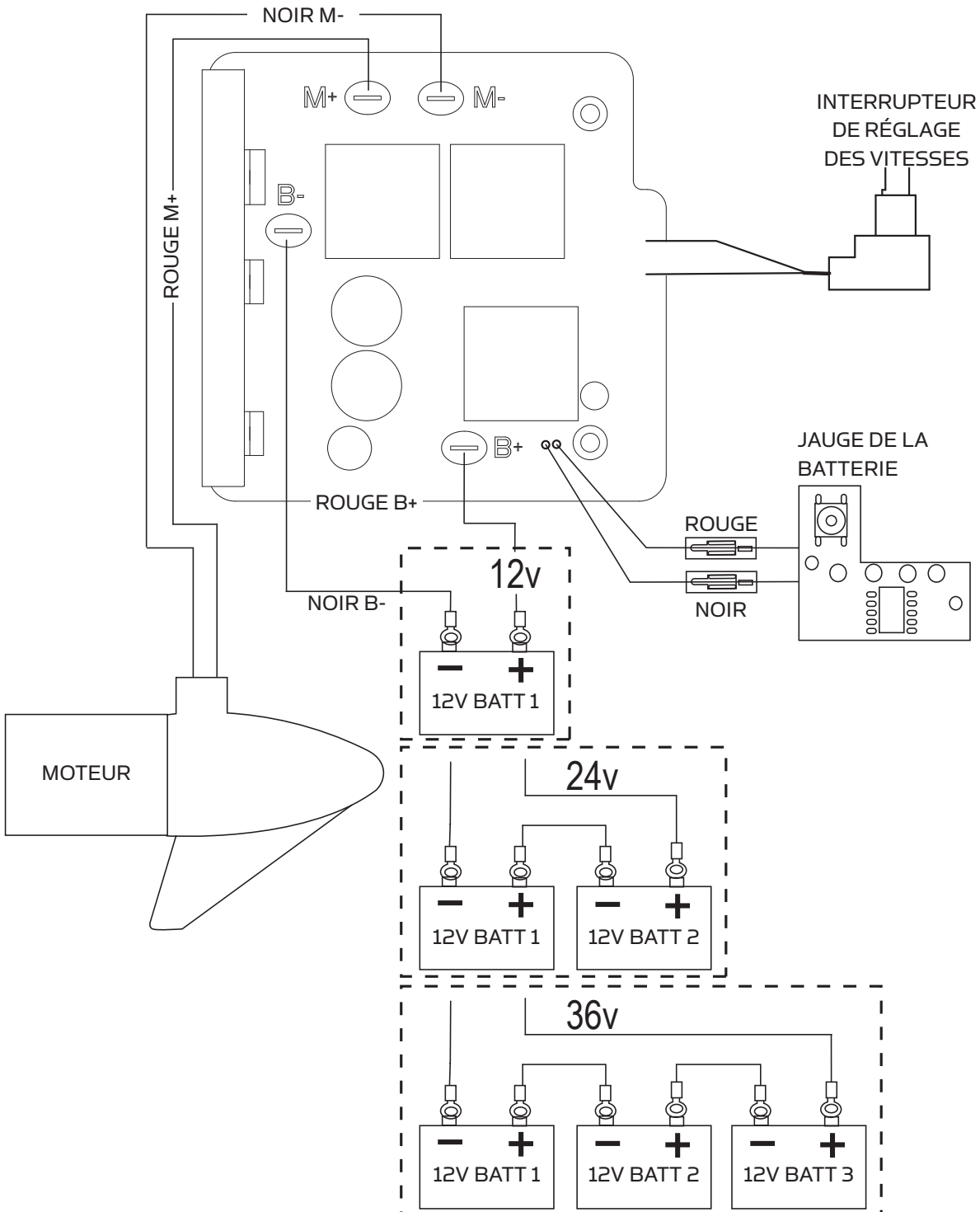
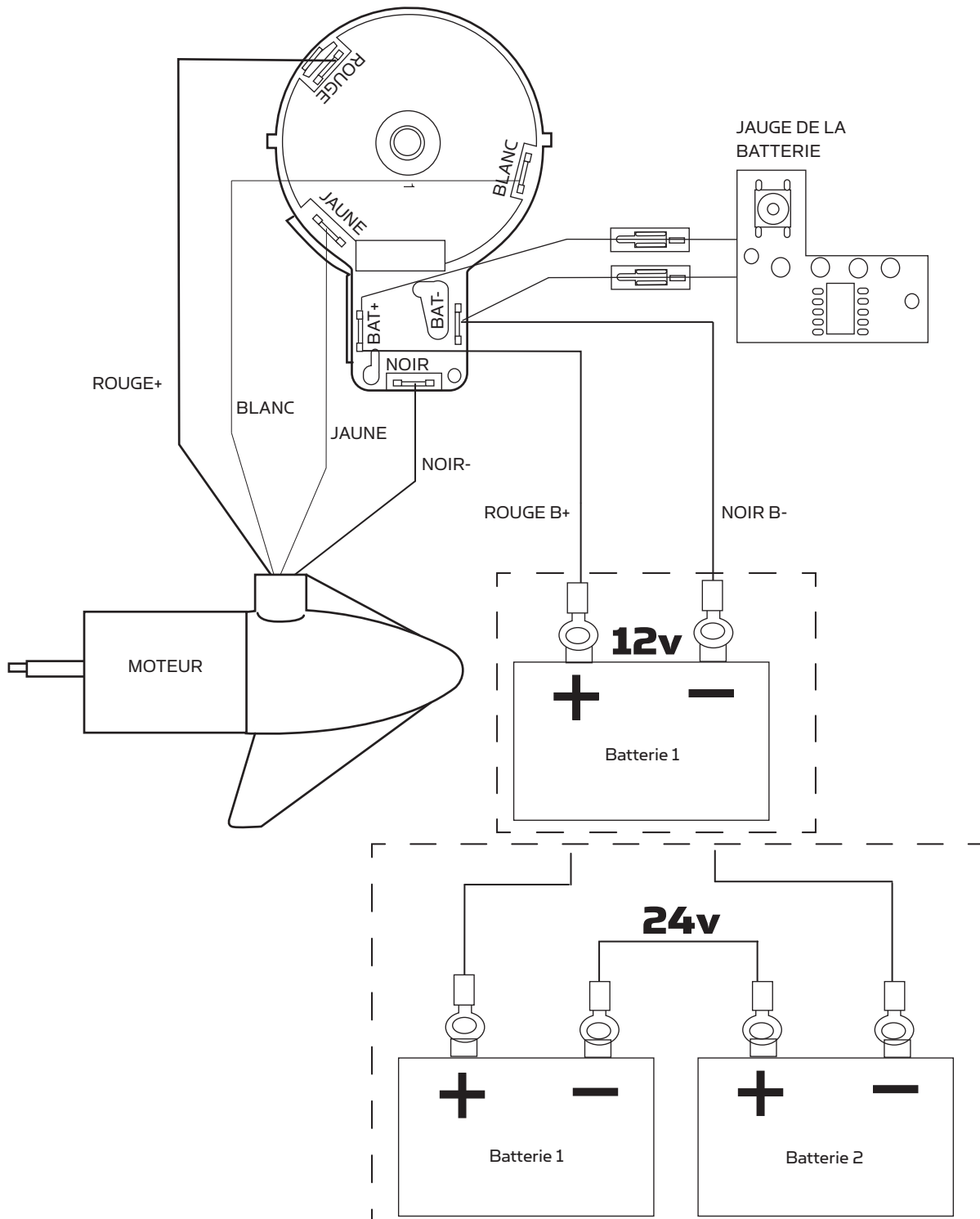


SCHÉMA DE CÂBLAGE DU MOTEUR

INTERRUPTEUR CINQ VITESSES



UTILISATION ET RÉGLAGE DU MOTEUR

L'ARRIMAGE ET LE DÉPLOIEMENT DU MOTEUR

AVERTISSEMENT! Lorsque vous remontez ou abaissez le moteur, gardez vos doigts loin de toutes charnières et points de pivot et de toutes pièces mobiles.

CARACTÉRISTIQUES DU SUPPORT

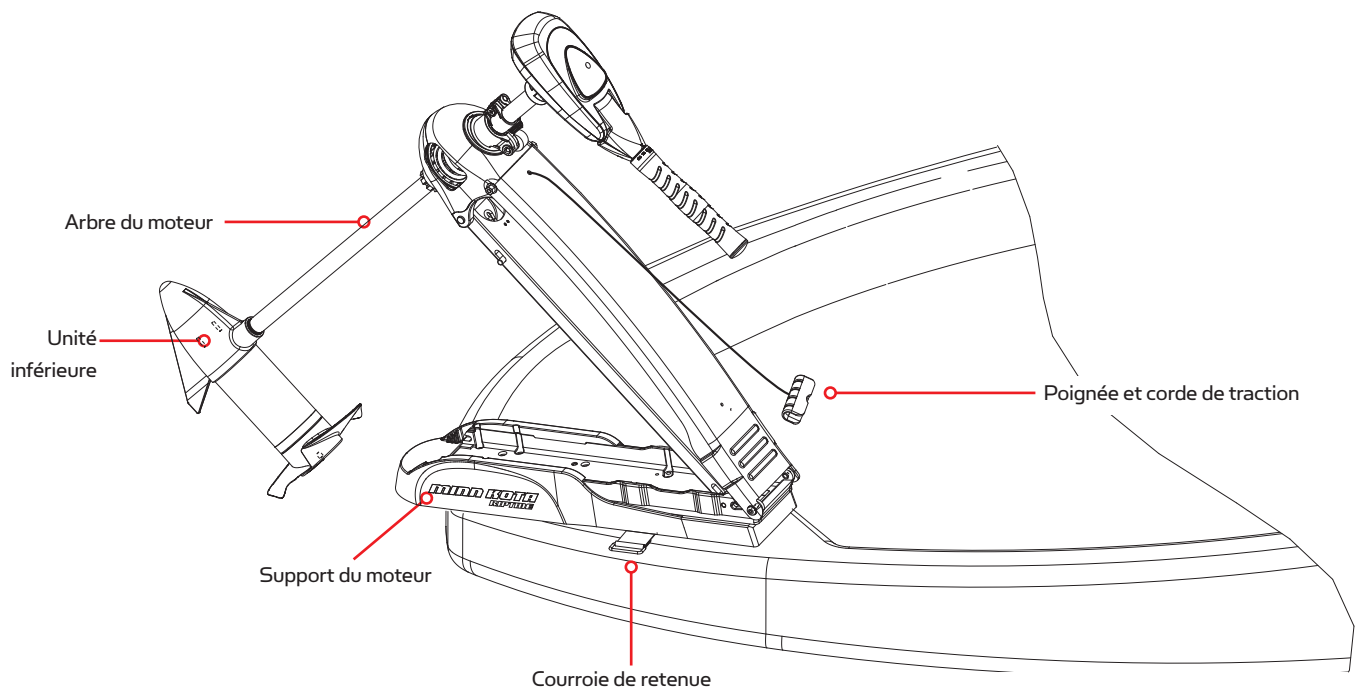
- Le support Edge est conçu pour se replier et verrouiller le moteur à plat sur le pont, lorsqu'il n'est pas utilisé, et pour fournir un arrimage sûr pour le transport.
- La poignée et corde de traction libère la barre de verrouillage, qui s'active automatiquement lorsque l'appareil est abaissé ou élevé en position. La poignée et corde de traction doit être utilisée à la fois pour abaisser et remonter l'appareil.
- Le support du moteur positionne l'appareil inférieur puisqu'il se retrouve en contact avec le nez du support et le guide sur le support du moteur.
- Le verrouillage du tube retient l'arbre du moteur et maintient l'unité inférieure centrée sur le support du moteur.
- La sangle de crochet et boucle doit être utilisée pour faire de la pression sur l'arbre du moteur afin de fixer solidement l'unité inférieure au support du moteur lorsqu'il est arrimé.
- La poignée et corde de traction peut être entreposée en plaçant la poignée de traction dans la fente de rangement de la corde sur le boîtier de commande du moteur.

POUR DÉPLOYER LE MOTEUR

Vous n'avez qu'à tirer et soulever le moteur hors du support à l'aide de la poignée et corde de traction. Abaissez le moteur dans l'eau en utilisant la poignée et corde de traction. Le moteur va se verrouiller en position déployée automatiquement.

POUR ARRIMER LE MOTEUR

Vous n'avez qu'à tirer et soulever le moteur hors de l'eau à l'aide de la poignée et corde de traction. Abaissez l'unité inférieure sur le support du moteur à l'aide de la poignée et corde de traction. Le moteur va se verrouiller en position arrimée automatiquement. Enroulez la sangle de crochet et boucle-dessus du sommet de l'arbre du moteur afin de fixer le moteur.

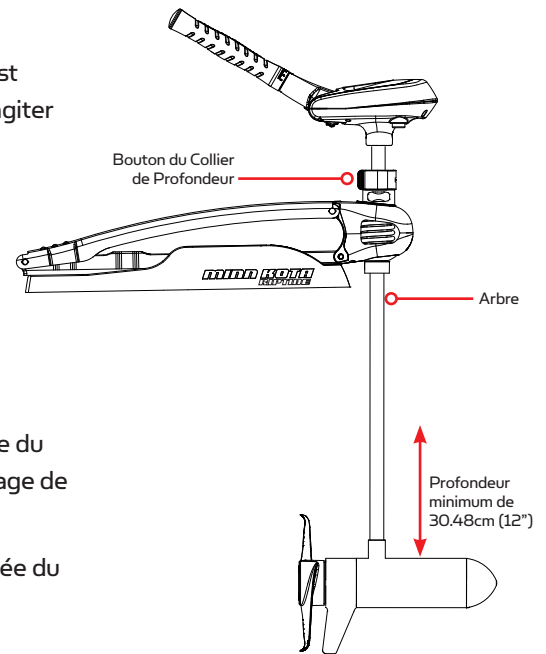


RÉGLAGE DE LA PROFONDEUR DU MOTEUR

Au moment du réglage de la profondeur, s'assurer que le dessus du moteur est immergé à au moins 12 po (30,5 cm) afin d'éviter de faire tourbillonner ou d'agiter l'eau à la surface. L'hélice doit être complètement submergée.

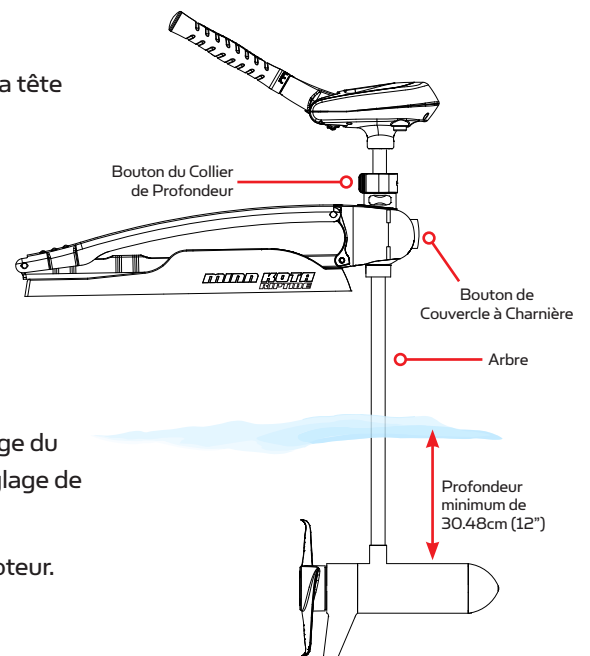
1. Saisissez fermement l'arbre du moteur et tenez-le immobile.
2. Desserrez le bouton de serrage du gouvernail.
3. Ouvrez le levier pour desserrer la bague de réglage de la profondeur à dégivage rapide.
4. Réglez à la verticale la hauteur du moteur à la position souhaitée.
5. Réglez la bague de réglage de la profondeur en haut du bouton de serrage du gouvernail, puis fermez le levier pour verrouiller en place la bague de réglage de la profondeur.
6. Serrez le bouton de serrage du gouvernail pour obtenir la tension souhaitée du gouvernail.

REMARQUE: La tension de la bague de réglage de la profondeur à dégivage rapide peut être réglée avec un tournevis pour obtenir la sensation appropriée.



MODÈLE VERROU ET PORTE

1. Une fois le moteur en position immergée, empoignez l'arbre externe ou la tête de contrôle et sécurisez fermement.
2. Ouvrez le levier pour desserrer la bague de réglage de la profondeur à dégivage rapide.
3. Desserrez le bouton de réglage de profondeur sur le couvercle de la charnière jusqu'à ce que l'arbre glisse librement.
4. Remontez ou abaissez le moteur à la profondeur désirée.
5. Tournez la tête de contrôle du moteur à la position désirée.
6. Réglez la bague de réglage de la profondeur en haut du bouton de serrage du gouvernail, puis fermez le levier pour verrouiller en place la bague de réglage de la profondeur.
7. Serrez le bouton de réglage de profondeur afin de fixer solidement le moteur.

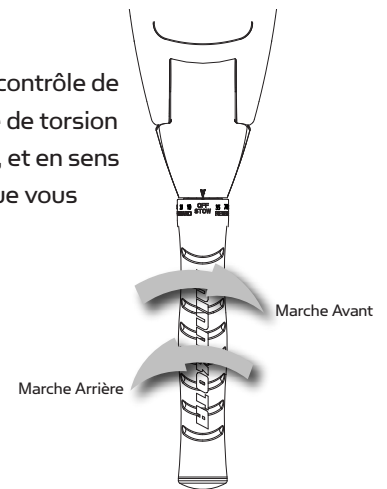


RÉGLAGE DE LA DIRECTION

- Régler le bouton de tension de la direction afin de fournir une tension suffisante visant à permettre au moteur de tourner librement, quelle que soit sa position sans rupture.
- OU
- Serrer le bouton pour mettre le moteur dans une position prédéfinie et avoir les mains libres pour la pêche.

CONTRÔLE DE VITESSE ET DIRECTION AVEC LE TILLER

Ces moteurs permet d'obtenir une vitesse variable en marche avant et en marche arrière. Le contrôle de vitesse s'opère dans les deux sens, en marche avant ou arrière. Tournez la poignée de la barre de torsion et d'inclinaison en sens antihoraire de O (arrêt), afin d'augmenter la vitesse en marche arrière, et en sens horaire de O (arrêt) afin d'augmenter la vitesse en marche avant. Vitesse diminue à mesure que vous approchez de O dans les deux sens.



RÉGLAGE DE LA BARRE D'INCLINAISON / D'EXTENSION TILLER

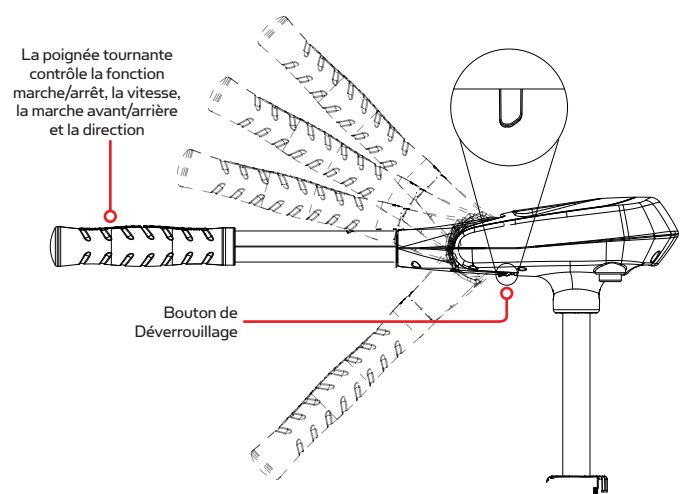
Votre moteur de pêche à la traîne dispose d'une poignée permettant 7 positions d'inclinaison: De 45°, 30° et 15° vers le haut et le bas à part de la position (horizontale) de 0°. Pour utiliser les positions vers le bas, vous devez tout d'abord appuyer sur le bouton de déverrouillage situé sur la partie inférieure à gauche de la poignée de pivot.

La poignée de votre moteur de pêche à la traîne dispose également d'une position d'arrimage unique, qui est utile pour limiter la quantité d'espace requis pour l'entreposage ou le transport.

IMPORTANT: AVANT de tenter de mettre la poignée en position d'arrimage, le sélecteur de vitesse doit être réglé à la position ARRÊT/ARRIMAGE. Ne pas procéder ainsi endommagera le mécanisme interne.

Appuyez d'abord sur le bouton de déverrouillage situé sur la partie inférieure à gauche de la poignée de pivot, puis poussez la poignée vers le bas jusqu'à ce que vous sentiez la poignée « verrouillée » en position d'arrimage. Ce sera presque parallèle à l'arbre du moteur.

Pour allonger la poignée, tirez la poignée vers vous jusqu'à la position désirée. La poignée s'allongera d'un bon 15,24 cm (6"). Pour rétracter, poussez la poignée jusqu'à ce qu'elle atteigne l'avant de la tête de contrôle du moteur.



SERVICE ET ENTRETIEN

REPLACEMENT DE L'HÉLICE

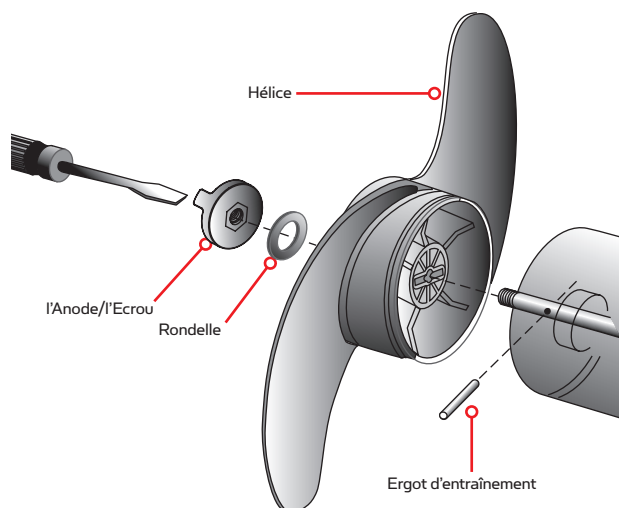
OUTILS ET RESSOURCES NÉCESSAIRES:

- Clé à oeil
 - 12.5mm pour les moteurs à £ 70 ou moins poussée.
 - 14.2875 mm pour les moteurs à poussée £ 80 ou plus)
- Tournevis (facultatif)

MISE EN GARDE:

Débrancher le moteur de la batterie avant d'effectuer tout travail ou entretien sur l'hélice.

NOTE: L'hélice sur votre moteur peut différer de celui illustré.



1. Débrancher le moteur de toute source d'alimentation avant de changer l'hélice.
2. Tenir l'hélice, puis desserrer anode/écrou à l'aide d'une pince ou d'une clé.
3. Retirer l'anode/l'écrou et la rondelle de l'hélice. Si l'ergot d'entraînement est cisailé ou cassé, tenir l'arbre stable à l'aide d'une lame de tournevis enfoncée dans la fente à l'extrémité de l'arbre.
4. Tourner la vieille hélice à l'horizontale (comme illustré), puis la retirer à la verticale. Si l'ergot d'entraînement tombe, le repousser à l'intérieur.
5. Aligner la nouvelle hélice avec l'ergot d'entraînement.
6. Installer la rondelle et anode/l'écrou.
7. Serrer l'hélice l'anode/l'écrou 1/4 de tour de plus que le serrage initial [25 à 35 lb/po, 2,8 à 4 J]. Ne pas trop serrer, car cela peut endommager l'hélice.

ENTRETIEN GÉNÉRAL

- Après chaque utilisation, le moteur en entier doit être rincé à l'eau douce, puis essuyé avec un chiffon humidifié avec un spray de silicone à base aqueuse. Ne pas pulvériser de l'eau dans les ouvertures de ventilation dans la tête du moteur.
- L'arbre composite nécessite un nettoyage périodique et de lubrification pour le retrait et le déploiement approprié. Un revêtement d'une pulvérisation aqueuse à base de silicone va améliorer le fonctionnement.
- L'hélice doit être inspectée et exempte d'herbe et de ligne de pêche, après chaque utilisation. Les lignes de pêche et les herbes peuvent se nicher derrière l'hélice, abîmer les joints et laisser l'eau pénétrer dans le moteur.
- Chaque fois que le moteur est utilisé, s'assurer que l'écrou de l'hélice est fixé solidement.
- Afin de prévenir les dommages accidentels, pendant le transport ou l'entreposage, débrancher la batterie lorsque le moteur est hors de l'eau.
- Pour un entreposage prolongé, enduire légèrement toutes les parties métalliques d'un protecteur aqueux à base de silicone.
- Pour une durée de vie maximale de la batterie, recharger les batteries dès que possible après utilisation. Pour une performance maximale du moteur, recharger la batterie complètement avant utilisation (plomb/acide seulement).
- Garder les bornes de la batterie propres à l'aide d'un papier de verre fin ou d'une toile d'émeri.
- L'hélice est conçue pour assurer un fonctionnement optimal et un niveau d'efficacité très élevé. Pour maintenir ce haut rendement, le bord d'attaque des pales doit être gardé lisse. S'il est rugueux ou ébréché en raison de l'utilisation, le rendre lisse à nouveau à l'aide de papier de verre fin.

DÉPANNAGE ET RÉPARATION

1. Le moteur ne tourne pas ou manque de puissance:
 - Vérifier si la polarité des raccordements de batterie a été respectée.
 - S'assurer que les bornes sont propres et exemptes de corrosion. Garder les bornes de la batterie propres à l'aide d'un papier de verre fin ou d'une toile d'émeri.
 - Vérifier le niveau d'eau de la batterie. Ajouter de l'eau, le cas échéant.
2. Le moteur baisse en puissance peu après son démarrage:
 - Vérifier la charge de la batterie. Si le niveau est bas, la remettre à pleine charge.
3. Le moteur est difficile à diriger:
 - Desserrer le bouton de tension de pilotage sur le support.
 - Lubrifier l'arbre composite.
4. Si l'hélice vibre en cours de fonctionnement normal:
 - Retirer, puis faire pivoter l'hélice à 180°. Voir les directives pour le retrait dans la section portant sur le remplacement de l'hélice.
5. Votre sondeur fait l'objet d'interférences:
 - Dans certaines applications, de l'interférence à l'écran de l'échosondeur pourra survenir. Nous recommandons qu'une batterie marine à décharge profonde séparée soit utilisée pour votre propulseur électrique et que l'échosondeur soit alimenté à l'aide d'une batterie de démarrage/à manivelle. Si les problèmes persistent, communiquer avec le service technique au +1 (800) 227-6433.

REMARQUE: Pour tout défaut de fonctionnement, visiter un centre de service agréé. Pour un centre de service agréé dans la région, consulter la liste de nos centres de service agréés sur le site Webminnkotamotors.com ou communiquer avec notre service à la clientèle au +1 (800) 227-6433.

POUR D'AUTRES SERVICES DE DÉPANNAGE ET DE RÉPARATION

Nous offrons plusieurs options de dépannage et/ou de réparation pour le produit. Veuillez parcourir les options énumérées ci-dessous.



FOIRE AUX QUESTIONS

Notre site Web présente FAQ visant à répondre à toutes vos questions au sujet des produits Minn Kota. Veuillez visiter le site Webminnkotamotors.com, puis cliquer sur « Foire aux questions » pour trouver réponse à vos questions.



COMMUNIQUEZ AVEC NOUS (POUR LES ÉTATS-UNIS ET LE CANADA)

Nos représentants du service à la clientèle sont disponibles du lundi au vendredi, de 7 h 00 à 16 h 30 (HNC), au +1 (800) 227-6433. Pour commander des pièces, veuillez avoir sous la main le numéro de série à 11 chiffres du produit, les numéros des pièces nécessaires et les renseignements relatifs à la carte de crédit. Vous économiserez ainsi du temps pour un service à la clientèle de qualité supérieure. Vous pouvez consulter la liste de votre manuel pour obtenir les numéros exacts de pièce.



ENVOYEZ-NOUS UN COURRIEL

Envoyez-nous un courriel pour transmettre à notre service à la clientèle vos questions au sujet des produits Minn Kota. Pour transmettre votre question par courriel, visitez le site Webminnkotamotors.com, puis cliquer sur « Nous contacter ».



CENTRES DE SERVICE AGRÉÉS

On compte plus de 300 centres de service agréés Minn Kota aux États-Unis et au Canada pour acheter des pièces et faire réparer vos produits. Veuillez consulter la page Web pour la liste des centres de service agréés et trouver un centre de service dans votre région.

DÉCLARATION DE CONFORMITÉ

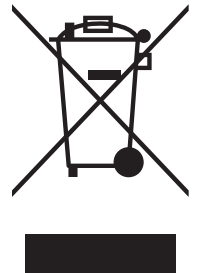
DÉCLARATION DE CONFORMITÉ ENVIRONNEMENTALE

Il est dans l'intention de JOME d'être une entreprise citoyenne responsable, dont l'exploitation est conforme à la réglementation environnementale en vigueur et qui est connue pour être un bon voisin dans les collectivités où nous fabriquons ou vendons nos produits.

DIRECTIVE DEEE:

La directive européenne 2002/96/CE « Directive concernant les déchets d'équipements électriques et électroniques (DEEE) » a un impact sur la plupart des distributeurs, vendeurs et fabricants d'électronique pour le grand public au sein de l'Union européenne. La directive DEEE exige que le producteur d'électronique pour le grand public prenne une part de responsabilité, en ce qui concerne la gestion des déchets de leurs produits, afin d'atteindre une élimination écologique, et ce, tout au long du cycle de vie du produit.

Il se peut que, selon votre emplacement, vous ne soyez pas tenu (e) de vous conformer à la directive DEEE pour ce qui est des équipements électriques et électroniques (EEE), et il se peut qu'il en soit de même pour les EEE conçus et destinés à être utilisés comme installations fixes ou temporaires dans les véhicules de transport tels que les voitures, les avions et les bateaux. Dans certains États de l'Union européenne, ces véhicules sont réputés ne pas relever de la directive, et les EEE, pour ces applications peuvent être considérés comme exclus de l'exigence de la directive DEEE.



Ce symbole (DEEE poubelle sur roues) sur le produit indique que ce dernier ne doit pas être jeté avec les déchets domestiques. Il doit être éliminé et collecté pour le recyclage et la récupération des DEEE. Johnson Outdoors Inc. marquera tous les produits EEE en conformité avec la directive DEEE. C'est notre but de nous conformer à la collecte, au traitement, à la récupération et à l'élimination écologique judicieuse de ces produits, mais ces exigences varient au sein des différents États membres de l'Union européenne. Pour de l'information supplémentaire sur l'endroit où vous pouvez éliminer les équipements usagés pour leur recyclage et leur récupération et/ou selon les exigences particulières de l'État membre de l'Union européenne, veuillez communiquer avec le détaillant ou le distributeur duquel vous avez acheté le produit.

ÉLIMINATION:

Les moteurs Minn Kota ne sont pas soumis à la réglementation concernant l'élimination VGE-VO (directive pour les dispositifs électriques), qui transpose la directive DEEE. Néanmoins, ne jamais jeter le moteur Minn Kota dans une poubelle, mais plutôt à l'endroit approprié où s'effectue la collecte, recommandé par le conseil municipal local.

Ne jamais jeter aucune batterie à la poubelle. Se conformer aux directives d'élimination du fabricant ou de son représentant et la jeter à l'endroit approprié où s'effectue la collecte, recommandé par le conseil municipal local.

AVERTISSEMENT: Ce produit contient des produits chimiques reconnus par l'État de la Californie comme causant le cancer, des anomalies congénitales ou d'autres effets nocifs sur la reproduction.

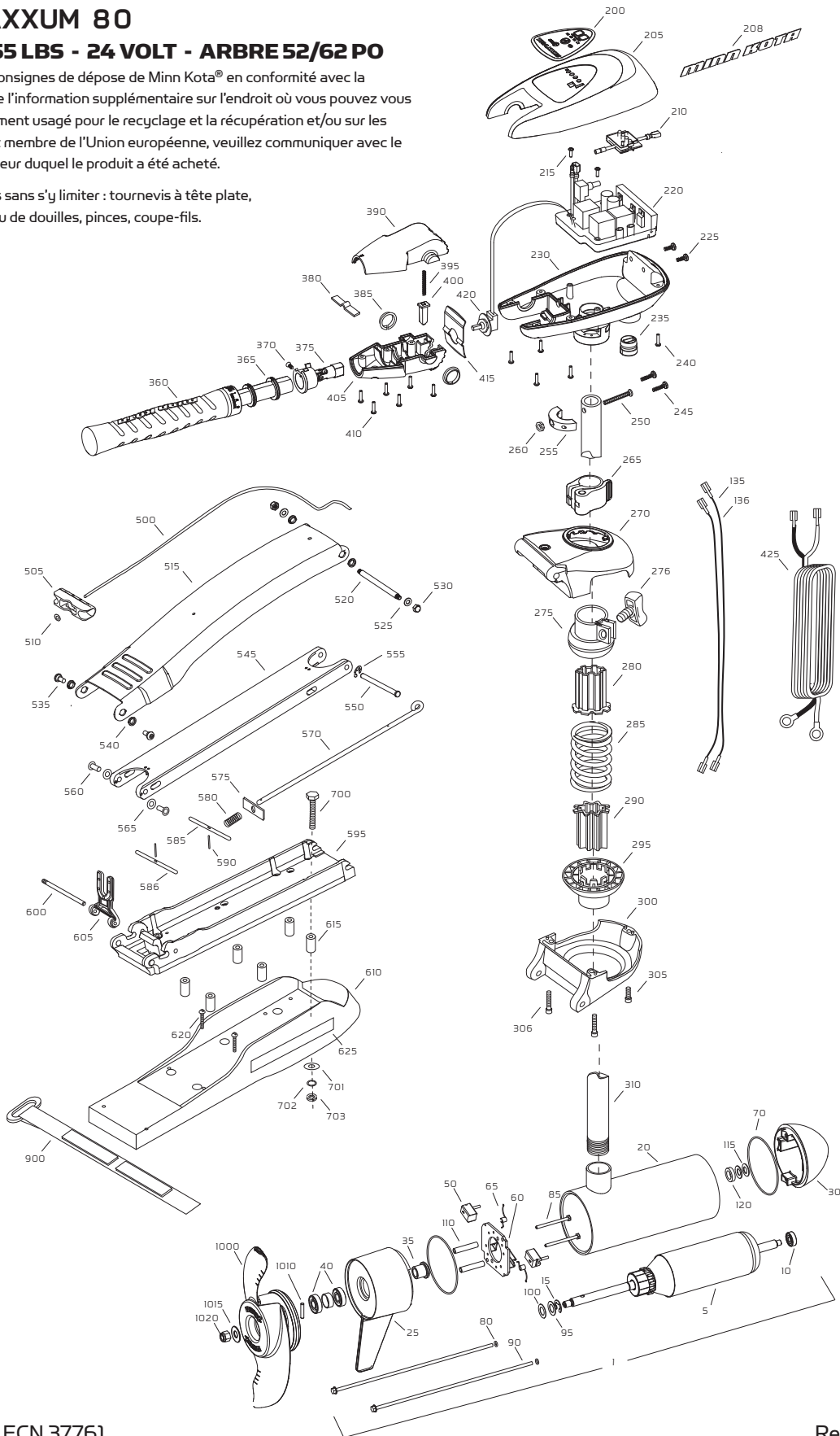
SCHÉMA DES PIÈCES

RIPTIDE MAXXUM 80

POUSSÉE DE 55 LBS - 24 VOLT - ARBRE 52/62 PO

Cette page fournit les consignes de dépose de Minn Kota® en conformité avec la directive DEEE. Pour de l'information supplémentaire sur l'endroit où vous pouvez vous débarrasser de l'équipement usagé pour le recyclage et la récupération et/ou sur les exigences de votre État membre de l'Union européenne, veuillez communiquer avec le détaillant ou le distributeur duquel le produit a été acheté.

Outils nécessaires, mais sans s'y limiter : tournevis à tête plate, tournevis cruciforme, jeu de douilles, pinces, coupe-fils.



LISTES DES PIÈCES

RIPTIDE MAXXUM 80

POUSSÉE DE 80 LBS - 24 VOLT - ARBRE 52/62 PO

ARTICLE	QTÈ	NUMÉRO DE PIÈCE	DESCRIPTION
1	1	2316228	ENSEMBLE MOTEUR 24 V 52"
	1	2316226	ENSEMBLE MOTEUR 24 V 52"
5	1	2-100-214	ASSEMBLAGE DE BRAS
10	1	140-010	ROULEMENT À BILLES
15	1	788-040	ANNEAU DE RETENUE
20	1	2-200-397	ENSEMBLE BOÎTIER CENTRAL
25	1	2-300-340	ENSEMBLE – EXTRÉMITÉ BISEAUTÉE DU BOÎTIER
30	1	421-376	ENSEMBLE EXTRÉMITÉ PLATE DU BOÎTIER
35	1	144-017	PALIER – BRIDE (SERVICE UNIQUEMENT)
40	2	880-025	JOINT
50	2	188-094	ENSEMBLE BROSSE
60	1	9-738-004	ENSEMBLE PLAQUE DE BROSSE AVEC PORTE
65	2	975-041	BROSSE RESSORT
70	2	701-043	JOINT TORIQUE
80	2	701-009	JOINT TORIQUE
85	2	830-027	VIS – 10-32
90	2	830-094	BOULON TRAVERSANT N° 10 32 X 8,83
95	2	990-051	RONDELLE – BUTÉE D'ACIER
100	2	990-052	RONDELLE – NYLATRON
110	2	973-025	ENTRETOISE DE PLAQUE DE BALAI
115	2	992-010	RONDELLE BELLEVILLE
120	1	990-045	ENTRETOISE DE POUSSÉE
135	1	640-018	CÂBLE DE LIAISON NOIR 52"
	1	640-021	CÂBLE DE LIAISON NOIR 62"
136	1	640-123	CÂBLE DE LIAISON ROUGE 52"
	1	640-126	CÂBLE DE LIAISON ROUGE 62"
■		2889460	ENSEMBLE JOINT TORIQUE ET JOINT
200	1	2195659	DÉCALQUE DU COUVERCLE DE LA BOÎTE DE COMMANDE
205	1	2060296	COUVERCLE DE BOÎTE DE COMMANDE
208	2	2325666	DÉCALQUE MINN KOTA
210	1	2074081	JAUGE DE BATTERIE 24 V
215	2	3043427	VIS #8 X 7/8 SS
220	1	2184017	ENSEMBLE TABLEAU DE COMMANDE 24/36V
■		2888411	TROUSSE DE RECHANGE DE POTENTIOMÈTRE
225	2	2303434	VIS #8-30 X 5/8SS
230	1	2062538	BOÎTE DE COMMANDE
235	1	2062905	DÉCHARGE DE TRACTION
240	6	2303412	VIS – #6 X 5/8 SS
245	2	2063410	SCREW #10-32 X 3/4" CAP SS
250	1	2093400	VIS, #10-24 X 1-7/8" PPH SS
255	1	2061529	COLLAR C BOX
260	1	2333101	ÉCROU – 10-24, NYLOCK
265	1	2991521	COLLIER – PROFONDEUR
■	1	2991764	ENSEMBLE BOWGUARD [270-306]
270	1	2991779	SUPPORT, SUPÉRIEUR
275	1	2261525	MANCHON À RESSORT – SUPÉRIEUR
276	1	2011366	BOUTON – COLLIER
280	2	2264702	INSERT DE TUBE
285	1	2262705	RESSORT – BOWGUARD
295	1	2261535	MANCHON À RESSORT – INFÉRIEUR
300	1	2991777	SUPPORT ENSEMBLE, INFÉRIEUR
305	1	2263422	VIS, 5/16 X 1" SHCS SS
306	2	2263424	VIS, 5/16 X 2.5" SHCS SS
310	1	2002014	TUBE COMPOSITE 52 PO
	1	2002015	TUBE COMPOSITE 62 PO
■	1	2990957	ENSEMBLE POIGNÉE [360-410]
360	1	2990456	ENSEMBLE PRISE/POIGNÉE
365	2	2060015	ROULEMENT - POIGNEE
370	1	2063405	VIS – N°6 PFH SS

ARTICLE	QTÈ	NUMÉRO DE PIÈCE	DESCRIPTION
375	1	2884092	ENSEMBLE FOURCHE/ARAIGNÉE, 5 VITESSES
380	1	2302742	RESSORT - DÉTENTE, ARRÊT
385	2	2060005	ROULEMENT - POIGNEE PIVOT
390	1	2060900	POIGNÉE - MOITIÉ SUPÉRIEURE
395	1	2302745	BOUTON DE DÉVERROUILLAGE - RESSORT
400	1	2063700	BOUTON DE DÉVERROUILLAGE
405	1	2060905	POIGNÉE - MOITIÉ INFÉRIEURE
410	6	2303412	VIS – N°6 X 5/8 SS
415	1	2062715	RESSORT – PIVOT DE POIGNÉE
420	1	2061700	RONDELLE
425	1	2992522	ENSEMBLE FIL DE SORTIE 52"
■	1	2991845	MONTAGE – ENSEMBLE DE PROUE, STD 52"
	1	2991847	MONTAGE – ENSEMBLE DE PROUE, STD 62"
500	1	2251601	CORDE
505	1	2150400	POIGNÉE DE TRACTION
510	1	2151700	RONDELLE – ARBRE CIEL (0,562 D.E.)
515	1	2264244	BRAS – SUPÉRIEUR STD 52"
	1	2264249	BRAS – SUPÉRIEUR STD 62"
520	1	2262604	ERGOT – BWGRD FILETAGE SUPÉRIEUR ZINGUÉ
525	2	2261722	RONDELLE, 5/16", SS
530	2	2223100	ÉCROU, 5/16-18 SS
535	2	2263500	BOULON – ÉPAULEMENT MAXXUM
540	2	2293501	DOUILLE – ACIER INOXYDABLE
545	1	2994351	BRAS – ENSEMBLE INFÉRIEUR, STD 52"
	1	2994356	BRAS – ENSEMBLE INFÉRIEUR, STD 62"
550	1	2262622	GOUPILLE – MANILLE GALV.
555	1	2263011	E-CLIP SW
560	2	2267318	ROULEMENT NYLINER
565		2261708	RONDELLE – 3/8 X 1/2 X 0,010 AI
570	1	2153603	ARBRE CIEL 52"
	1	2153605	ARBRE CIEL 62"
575	1	2262703	CRANTAGE À RESSORT – MAXXUM
580	1	2152701	RESSORT – BARRE DE VERROUILLAGE PLAQUÉ CAD.
585	1	2233621	BARRE DE VERROUILLAGE, AVANT ZINC
586	1	2233623	BARRE DE VERROUILLAGE ARRIÈRE – ZINC
590	2	2152612	RESSORT – GOUPILLE
595	1	2773983	PLAQUE AVANT – AVEC INSERTION 52"
	1	2773982	PLAQUE AVANT – AVEC INSERTION 62"
600	1	2260505	CHARNIÈRE – GOUPILLE
605	1	2293811	FOURCHE – MONTAGE MAXXUM, POLYPROPYLENE
610	1	2263917	SUPPORT DU MOTEUR MAXXUM 52"
	1	2263919	SUPPORT DU MOTEUR MAXXUM 62"
615	6	2261505	ESPACEUR – SUPPORT DU MOTEUR
620	2	2263434	VIS, #8, SS
625	2	2065677	DÉCALQUE – SUPPORT DU MOTEUR MAXXUM
■	1	2994830	ENSEMBLE SAC
700	6	2263431	VIS, 1/4-20 X 3 1/2" PPH, SS
701	6	2301720	RONDELLE EN CAOUTCHOUC DE MONTAGE
702	6	2261713	RONDELLE, 1/4 SS
703	6	2263101	ÉCROU – 1/4-20 AUTOFREINANT NYLOCK AI
900	1	2263804	COURROIE DE RETENUE
■		1378132	ENSEMBLE HÉLICE
■		2994876	SAC D'HÉLICE ENSEMBLE
1000	1	2331160	HÉLICE
1010	1	2262658	ENTRAÎNEMENT ERGOT
1015	1	2091701	RONDELLE
1020	1	2198401	ÉCROU - BLOCAGE D'HÉLICE (M) INOX

■ CET ARTICLE NE FAIT PARTIE D'AUCUN ENSEMBLE.

*CET ARTICLE FAIT PARTIE D'UN ENSEMBLE ET EST SEULEMENT ÉNUMÉRÉ À DES FINS D'ILLUSTRATION.

ACCESSOIRES RECOMMANDÉS

CHARGEURS DE BATTERIE EMBARQUÉS ET PORTATIFS

Ne plus acheter de nouvelles batteries et commencer à prendre soin de celles déjà en votre possession. Plusieurs chargeurs peuvent en fait endommager les batteries à la longue, pouvant entraîner une autonomie réduite et une durée de vie plus courte. Les chargeurs Minn Kota à commande numérique assurent une charge rapide pour une protection et une durée de vie prolongée.



MK345PC



MK210D



MK110P

ANCRE POUR EAUX PEU PROFONDES TALON

Les ancres Talon se déploient rapidement, ont une force de retenue plus élevée et sont plus silencieuses que tout autre ancre pour eaux peu profondes. Offerts en profondeurs allant jusqu'à 12 pi (3,66 m) et en options de couleurs vives, elles comportent plusieurs fonctionnalités et innovations uniques dans le domaine:



- Déploiement Vertical en Plusieurs Étapes
- Modes D'ancrage Pouvant être Sélectionnés par L'utilisateur
- 2x la Force d'ancrage
- Déploiement Rapide
- Descente/Montée Automatique
- Triple Protection Contre les Débris
- Amortisseur Automatique de Vague Intégré
- Dissipation de Bruit
- Réglages Polyvalents

ACCESSOIRES MINN KOTA

Nous offrons un large éventail d'accessoires pour les propulseurs électriques, y compris:



- Un Disjoncteur de 60 A
- Des Supports de Montage
- Des Ensembles Stabilisateur
- Des Rallonges de Poignée
- Des connecteurs de batterie
- Bacs à Batterie
- Des fiches de connexion rapide

Pour la liste complète des accessoires Minn Kota, veuillez visiter le site Web minnkotamotors.com

Suivez-nous:



minnkotamotors.com

Minn Kota Consumer & Technical Service
Johnson Outdoors Marine Electronics, Inc.
PO Box 8129
Mankato, MN 56001

121 Power Drive
Mankato, MN 56001
Phone (800) 227-6433
Fax (800) 527-4464



©2016 Johnson Outdoors Marine Electronics, Inc.
All rights reserved.