

# ↔ DOMETIC

# CLIMATE CONTROL

# BREATHE



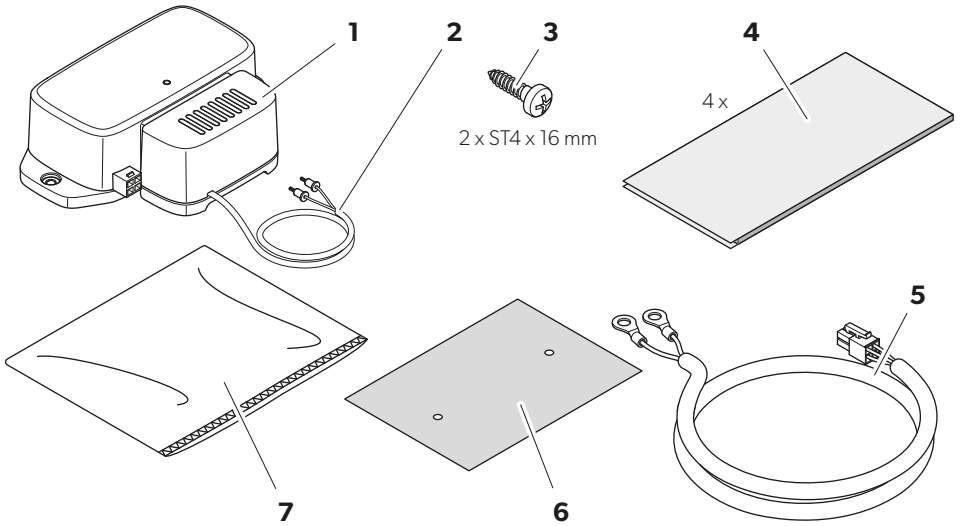
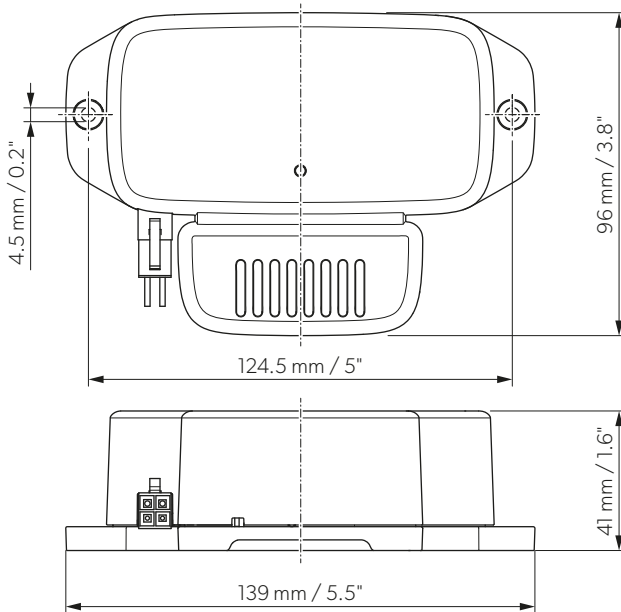
Breathe 4500 Marine

<b>EN</b>	<b>Air purifier</b> Installation and Operating Manual . . . . . 7	<b>SV</b>	<b>Luftrenare</b> Monterings- och bruksanvisning . . . . . 39
<b>DE</b>	<b>Luftreiniger</b> Montage- und Bedienungsanleitung . . . . . 11	<b>NO</b>	<b>Luftrensler</b> Monterings- og bruksanvisning . . . . . 43
<b>FR</b>	<b>Purificateur d'air</b> Instructions de montage et de service . . . . . 15	<b>FI</b>	<b>Ilmanpuhdistin</b> Asennus- ja käyttöohje . . . . . 47
<b>ES</b>	<b>Purificador de aire</b> Instrucciones de montaje y de uso . . . . . 19	<b>RU</b>	<b>Воздухоочиститель</b> Инструкция по монтажу и эксплуатации . . . . . 51
<b>PT</b>	<b>Purificador de ar</b> Instruções de montagem e manual de instruções . . . . . 23	<b>PL</b>	<b>Oczyszczacz powietrza</b> Instrukcja montażu i obsługi . . . . . 56
<b>IT</b>	<b>Purificatore d'aria</b> Istruzioni di montaggio e d'uso . . . . . 27	<b>SK</b>	<b>Čistič vzduchu</b> Návod na montáž a uvedenie do prevádzky . . . . . 60
<b>NL</b>	<b>Luchtzuiveraar</b> Montagehandleiding en gebruiksaanwijzing . . . . . 31	<b>CS</b>	<b>Čistička vzduchu</b> Návod k montáži a obsluze . . . . . 64
<b>DA</b>	<b>Luftrensler</b> Monterings- og betjeningsvejledning . . . . . 35	<b>HU</b>	<b>Levegőtisztító</b> Szerelési és használati útmutató . . . . . 68

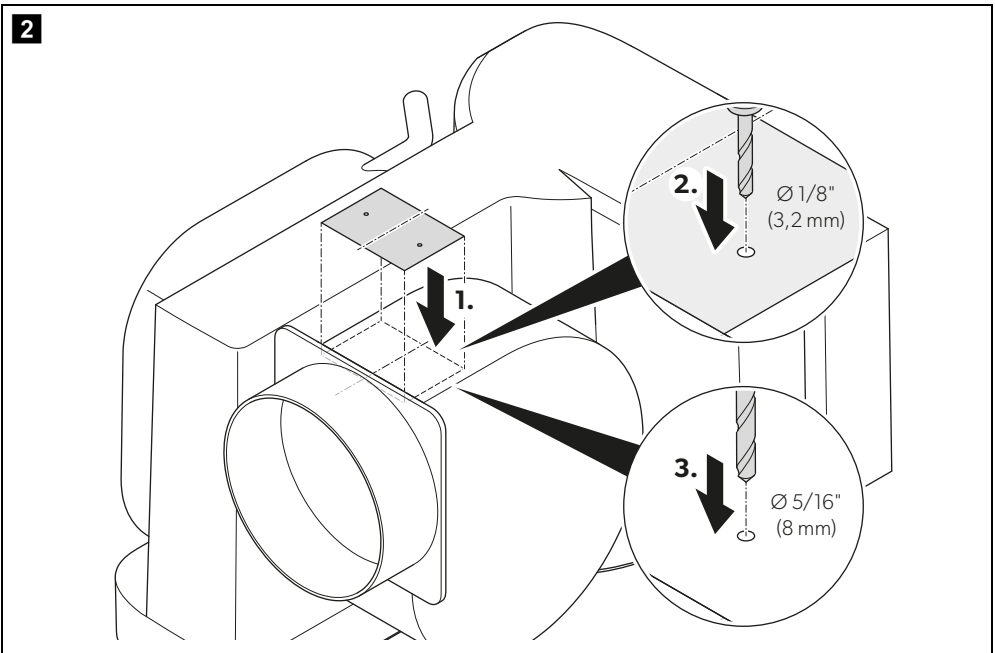
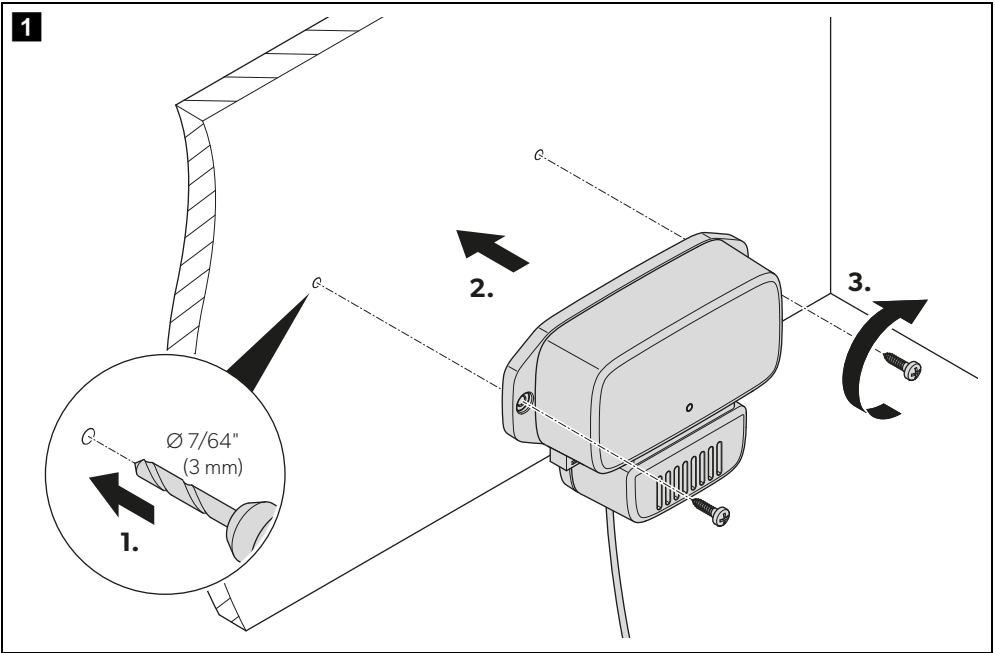
© 2023 Dometic Group. The visual appearance of the contents of this manual is protected by copyright and design law. The underlying technical design and the products contained herein may be protected by design, patent or pending patent. The trademarks mentioned in this manual belong to Dometic Sweden AB. All rights are reserved.

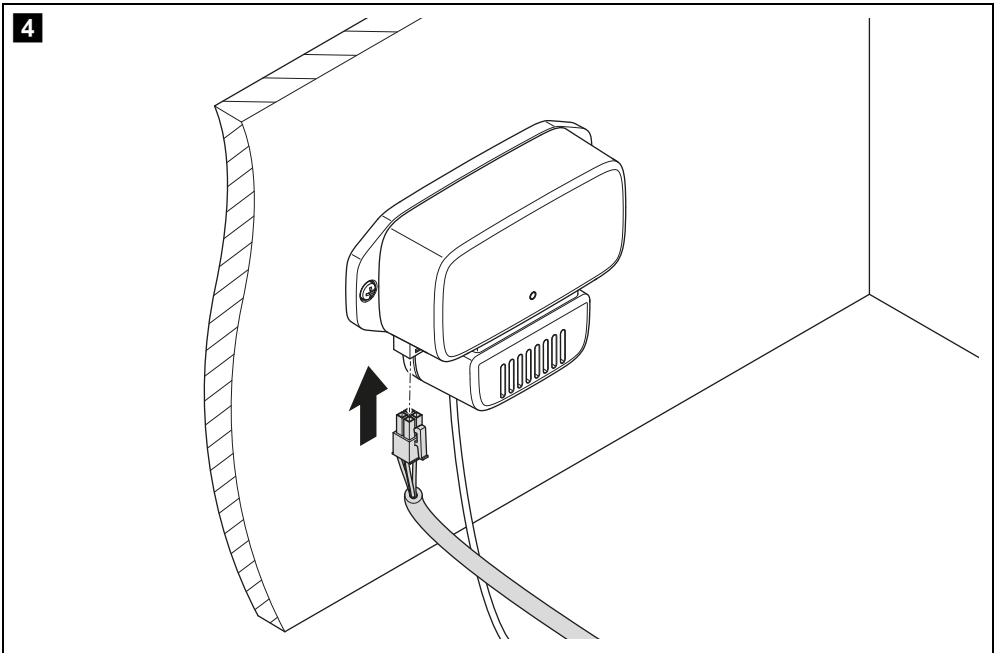
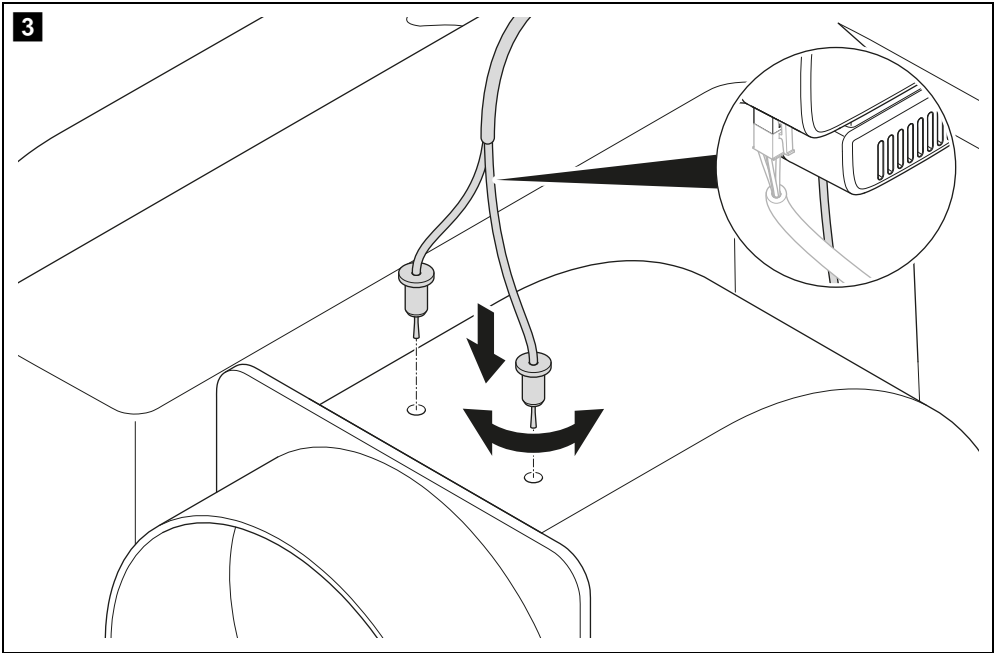
**1**

## Breathe 4500 Marine

**2**

# Marine A/C units



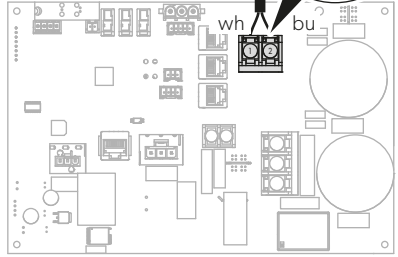
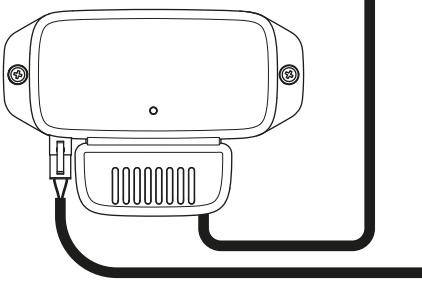


5

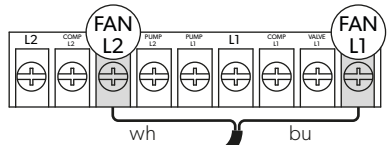
### Voyager Series

CN18: Sea Water PumpAC

1	N
2	L



### Standard Marine A/C Units



Please read these instructions carefully and follow all instructions, guidelines, and warnings included in this product manual in order to ensure that you install, use, and maintain the product properly at all times. These instructions **MUST** stay with this product.

By using the product, you hereby confirm that you have read all instructions, guidelines, and warnings carefully and that you understand and agree to abide by the terms and conditions as set forth herein. You agree to use this product only for the intended purpose and application and in accordance with the instructions, guidelines, and warnings as set forth in this product manual as well as in accordance with all applicable laws and regulations. A failure to read and follow the instructions and warnings set forth herein may result in an injury to yourself and others, damage to your product or damage to other property in the vicinity. This product manual, including the instructions, guidelines, and warnings, and related documentation, may be subject to changes and updates. For up-to-date product information, please visit [documents.dometic.com](http://documents.dometic.com).

## Explanation of symbols



### **WARNING!**

**Safety instruction:** Indicates a hazardous situation that, if not avoided, could result in death or serious injury.



### **CAUTION!**

**Safety instruction:** Indicates a hazardous situation that, if not avoided, could result in minor or moderate injury.

## Safety instruction



**WARNING! Failure to obey these warnings could result in death or serious injury.**

### **Electrocution hazard**

- Disconnect the electrical connections before installing the device.
- The installation and electrical connection must be performed by the Dometic service center ([dometic.com/contact](http://dometic.com/contact)).
- These servicing instructions are for use by qualified personnel only. To reduce the risk of electric shock, do not perform any servicing other than that contained in the operating instructions unless you are qualified to do so.
- **RISK OF ELECTRIC SHOCK. CAN CAUSE INJURY OR DEATH: DISCONNECT ALL ELECTRIC POWER SUPPLIES BEFORE SERVICING.**

## Health hazard

- This appliance can be used by children aged from 8 years and above and persons with reduced physical, sensory or mental capabilities or lack of experience and knowledge if they have been given supervision or instruction concerning use of the appliance in a safe way and understand the hazards involved.
- Children shall not play with the appliance.
- Cleaning and user maintenance shall not be made by children without supervision.
- The health aspects associated with the use of this product and its ability to aid in disinfection of environmental air have not been investigated by UL LLC.
- This product shall not be installed behind a suspended floor/ceiling or a structural wall, ceiling, or floor.



**CAUTION! Failure to obey these cautions could result in minor or moderate injury.**

## Health hazard

- This product should be inspected frequently and collected dirt removed from it regularly to prevent excessive accumulation that may result in flashover or a risk of fire.
- Attach and lay the cables so that they cannot be tripped over or damaged.
- Only use the device as intended.
- Do not make any alterations or conversions to the device.

## Scope of delivery

### **Breathe 4500 Marine (fig. 1, page 3)**

Item	Component	Quantity
1	Air purifier	1
2	Cable with 2 ionization brushes	1
3	Screw ST4 x 16 mm	2
4	Double tape	4
5	Connection cable	1
6	Drill template	1
7	Cloth bag	1

## Intended use

The air purifier is intended to be installed to an air conditioner. The air purifier is intended to clean the air and to reduce mold, dust, odors, and particles. The air purifier can be installed on Marine A/C units.

The air purifier is suitable for:

- Dometic Marine air conditioners

The air purifier is **not** suitable for:

- Ventilators
- Spaces in contact with water

This product is only suitable for the intended purpose and application in accordance with these instructions.

This manual provides information that is necessary for proper installation and/or operation of the product. Poor installation and/or improper operating or maintenance will result in unsatisfactory performance and a possible failure.

The manufacturer accepts no liability for any injury or damage to the product resulting from:

- Incorrect installation, assembly or connection, including excess voltage
- Incorrect maintenance or use of spare parts other than original spare parts provided by the manufacturer
- Alterations to the product without express permission from the manufacturer
- Use for purposes other than those described in this manual

Dometic reserves the right to change product appearance and product specifications.

## Technical description

The air purifier cleans the air and reduces mold, dust, odors, particles, and bacteria. For this purpose the air purifier uses bi-polar ionization to create both negative and positive ions that purify the air. The purified air is carried through the ductwork and out into the conditioned space.

The status LED shows whether the air purifier is working or not:

- LED is lit: The device is working.

- LED is off: The device is not working.

## Installation



### **WARNING! Electric hazard**

Disconnect the electrical connections before installing the device.



### **NOTICE! Damage hazard**

Use the drill template included in the scope of supply to drill the holes for the ionization brushes.

## Marine A/C units



### **NOTICE! Damage hazard**

Ensure that you do not to enlarge mounting holes in case you deburr mounting holes with a reamer.

The air purifier can be mounted to a wall in a dry space. Consider the cable lengths to the Marine A/C unit.

- Proceed as shown in chapter "Marine A/C units" on page 4.

## Using the device

The air purifier operates automatically when the air conditioner's fan is activated.

## Troubleshooting

If the device does not work as described or the power cable is damaged, contact the manufacturer's service agent (see [dometic.com/](http://dometic.com/) dealer).

## Cleaning and maintenance

- Check and clean the ionization brushes periodically and, if applicable, each time when servicing the air conditioner air filter.



# Warranty

Refer to the sections below for information about warranty and warranty support in the US, Canada, and all other regions.

## United States and Canada

LIMITED WARRANTY AVAILABLE AT  
DOMETIC.COM/WARRANTY.

IF YOU HAVE QUESTIONS, OR TO OBTAIN A COPY OF THE LIMITED WARRANTY FREE OF CHARGE, CONTACT:

DOMETIC CORPORATION  
MARINE CUSTOMER SUPPORT CENTER  
2000 NORTH ANDREWS AVENUE  
POMPANO BEACH, FLORIDA, USA 33069  
1-800-542-2477

## All Other Regions

The statutory warranty period applies. If the product is defective, please contact the manufacturer's branch in your region ([dometic.com/dealer](http://dometic.com/dealer)) or your retailer.

For repair and warranty processing, please include the following documents when you send in the device:

- A copy of the receipt with purchasing date
- A reason for the claim or description of the fault

## FCC

This device complies with Part 15 of the FCC Rules. Operation is subject to the following two conditions:

- This device may not cause harmful interference.
- This device must accept any interference received, including interference that may cause undesired operation.

Changes or modifications not expressly approved by the party responsible for compliance could void the user's authority to operate the equipment.

This equipment has been tested and found to comply with the limits for a Class B digital device, pursuant to part 15 of the FCC Rules. These limits are designed to provide reasonable protection against harmful interference in a residential installation. This equipment generates, uses and can radiate radio frequency energy and, if not installed and used in accordance with the instructions, may cause harmful interference to radio communications. However, there is no guarantee that interference will not occur in a particular installation. If this equipment does cause harmful interference to radio or television reception, which can be determined by turning the equipment off and on, the user is encouraged to try to correct the interference by one or more of the following measures:

- Reorient or relocate the receiving antenna.
- Increase the separation between the equipment and receiver.
- Connect the equipment into an outlet on a circuit different from that to which the receiver is connected.
- Consult the dealer or an experienced radio/TV technician for help.

This device complies with Industry Canada license-exempt RSS standard(s). Operation is subject to the following two conditions:

- This device may not cause interference.
- This device must accept any interference, including interference that may cause undesired operation of the device. This Class B digital apparatus complies with Canadian ICES-3(B)/NMB-3(B).

# Disposal

## Recycling packaging material



- Place the packaging material in the appropriate recycling waste bins wherever possible.

## United States

### Recycling products with non-replaceable batteries, rechargeable batteries, or light sources



- Dispose the product in accordance with all applicable regulations.



- The product can be disposed free of charge.



## All Other Regions

### Recycling products with non-replaceable batteries, rechargeable batteries, or light sources







- If the product contains any non-replaceable batteries, rechargeable batteries, or light sources, you don't have to remove them before disposal.



- If you wish to finally dispose of the product, ask your local recycling center or specialist dealer for details about how to do this in accordance with the applicable disposal regulations.

- The product can be disposed free of charge.

# Technical data

	<b>Breathe 4500 Marine</b>
SKU	9620000429
Temperature range	-10 °C to +45 °C
Voltage	100 – 245 V~ / 50 – 60 Hz
Current	20 mA
Dimensions (L x W x H)	fig. <b>2</b> , page 3
Weight	0.36 kg
Inspection/certification	    <b>10R-06 16457</b>
Meets California Ozone emissions limit	CARB certified