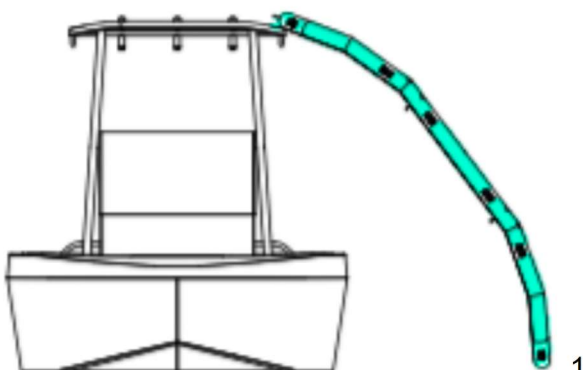
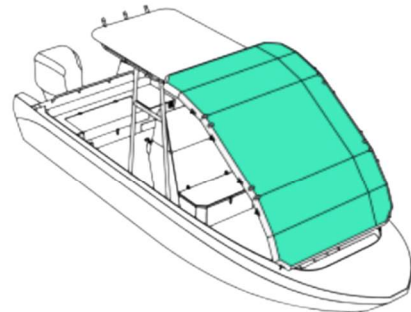
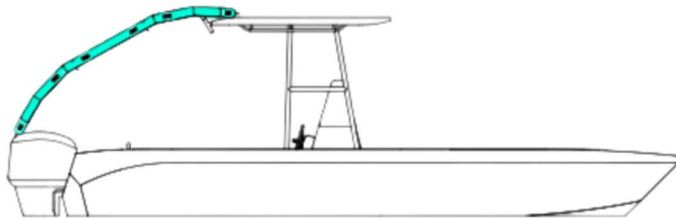
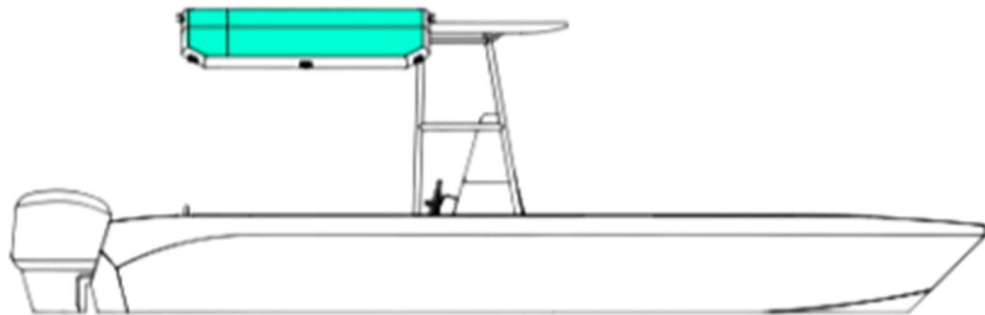




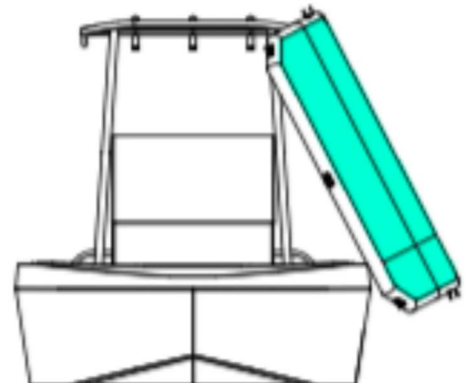
SEBBA SHADE

Sebba Shade 6x9 Product Manual

Rev. 2024.03.08



1





SEBBA SHADE

1. Introduction

Congratulations on receiving your new Sebba Shade!

To avoid confusion or damages, please read this entire product manual prior to use.

Warning: Sebba Shade is large, and it wants to fly. A strong wind can push people into the water, or it may simply blow away if not handled properly.

Practice using Sebba Shade on land before use on a boat.

Sharp objects can puncture Sebba Shade and cause instant deflation.

****An informed Sebba Shade owner will be a happy Sebba Shade owner. Be smart!**

2. What's in the Box - Product Contents

- (1) Sebba Shade Canopy
- (1) Hand pump
- (1) Carry bag
- (4) Straps
- (1) Patch repair kit

3. Get to know Sebba Shade – the basics!



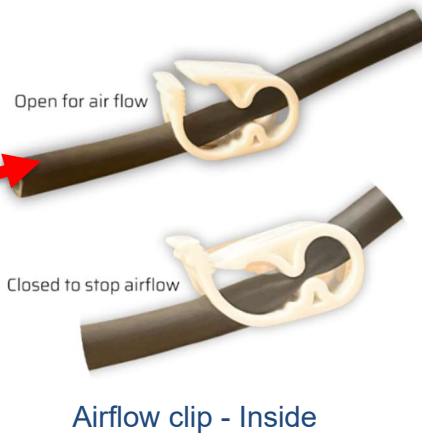
Bottom of inflated Sebba Shade

- The shade fabric provides UV protection, blocking 98% of UVA/UVB rays (UPF 50+).
- The perimeter tube and the cross-strut tubes, when inflated, give Sebba Shade its sturdy shape.
- Inflate to:
 - 7.0 PSI Minimum
 - 8.0 PSI MAXIMUM. Do not over-inflate!
 - Low pressure mistake (below 7.0 or even 5.0): Low pressure will still give it shape, but it won't be stiff enough to stand up to winds. It will bend and appear floppy if not under high pressure.
- Inside the tubes are three separate inflatable bladders:
 - one large bladder for the entire perimeter
 - one short bladder for each cross-strut.
- Always protect the tubes. If punctured, a patch repair will be necessary.

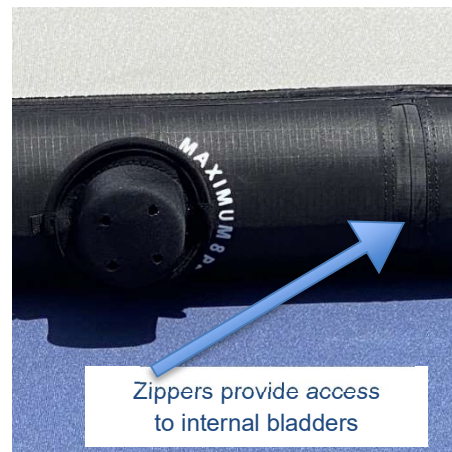


Internal bladder

- The tubes and cross-struts are connected by 'airflow connectors' to allow the three bladders to inflate with one inflation valve.
- Inside the airflow connector is an airflow clip, for use when making repairs.
- **Troubleshooting:** If a cross-strut doesn't inflate, open the clip. Scan or click this QR code for a how-to video:



Valve - rotate valve counter-clockwise for fast deflation. Be ready to hear a loud "whoosh" as the high-pressure air rushes out:



Zippers along the tubes should always be closed. They are used only when making a repair to the internal bladder.

4. First Use - At Home/Dry Land

1. Try out your new Sebba Shade on a non-windy day, on land.
2. Choose a large area, such as a driveway, remove all nearby sharp objects.
3. Unroll and inflate to 8.0 MAXIMUM to view the full, sturdy shape of Sebba Shade.
4. **Never inflate over 8.0 PSI**; the bladders will rupture, and warranty will be voided.
5. Pick Sebba Shade up and move it around - get a feel for its weight and how the wind can lift it.
6. **Imagine** how you will position Sebba Shade on your own boat, on the water, in the wind.
7. Think ahead - how you will use the straps to connect Sebba Shade to **your** specific boat?
 **Don't make the mistake of first setting up Sebba Shade on a boat (before land test) – avoid the frustration, in the heat, in the wind on your boat! 😊

5. Setting up on boat

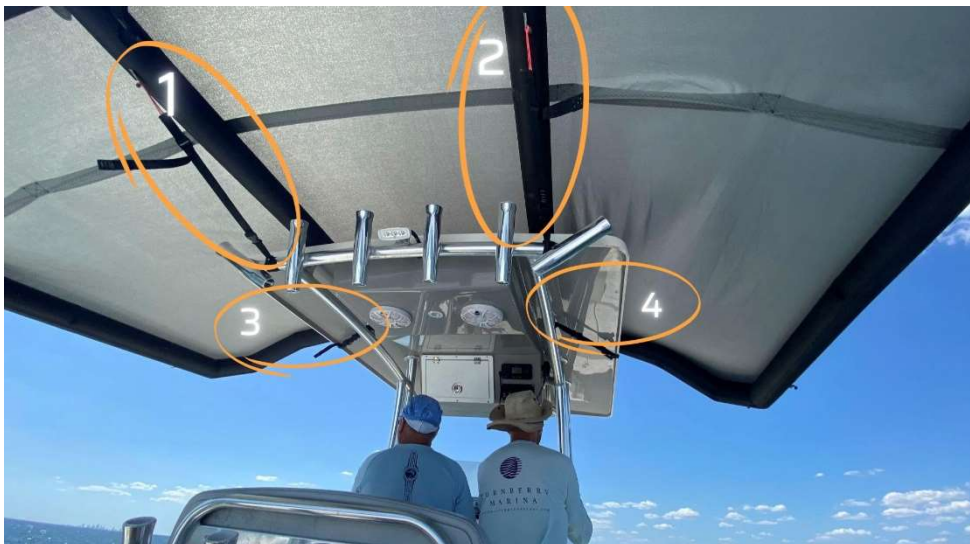
1. On a boat, ensure nothing will prevent it from easily taking its rectangular shape. As it inflates, it can get caught on rod holders, antennae, radar, poles, etc. Does your antenna need to be lowered?
2. Unclip the short end of the strap and loop it around a tubular frame, pass the buckle back through the loop. These fabric anchors can remain in place while not using Sebba Shade:



3. Attach the other end of strap to any of the pigtails on the shade canopy. Scan or click this QR code for a **pigtail connection how-to video**:



4. Example: Four connected straps shown here in the 'underway' position. Sebba Shade is sturdy up to 45 mph while in this position:

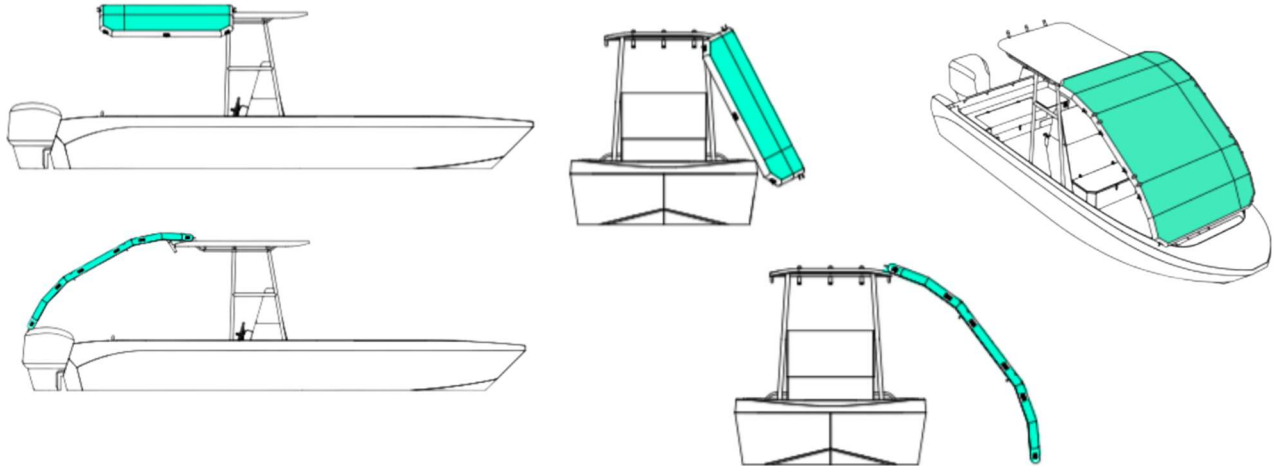




5. inflate Sebba Shade to 8.0 PSI using the inflation pump provided with your purchase (for products purchased after March 2024).



6. Try any of the countless possible shade positions, such as these.



6. Packing

- Always deflate Sebba Shade at the end of the day.
- To deflate, rotate the base of the inflation valve counterclockwise to release the air. BE PREPARED FOR A LOUD WHOOSH while the air rushes out.
- Allow Sebba Shade to air dry before folding up and storing.
- Packing Sebba Shade when wet may cause color transfer.

7. Bladder Repair

- If the bladder inside the tube is punctured, it can be patched with the clear stick-on repair tape (in repair kit). Cut patch to size with scissors allowing for the patch size to extend 1” beyond all edges of the tear.
- If additional patch repair tape is required, purchase TEAR-AID Type A Fabric Repair - see thru patches.
- Locate the tear by inflating Sebba Shade (look for a hole in the tube, or listen for air coming out, or spray with soapy water and look for bubbles, etc.).
- Unzip the closest zipper on the black tube, pull out bladder, find hole, and patch it.

8. Other Repairs

- **WARNING:** If the bladder ruptures outwards and explodes through the exterior tube, creating a tear, this is a “blowout”. A blowout is the result of over-inflation and misuse. Remember, never inflate above 8.0 PSI. Product warranty does not cover blowouts.
- If other repairs are required, contact us:

info@flightdive.com, +1 (727) 955-4332, WhatsApp +1 (727) 955-4332



SEBBA SHADE

Sebba Shade
204 37th Ave N #107
St Petersburg, FL 33704
info@flightdive.com
(727) 955-4332
WhatsApp +1 (727) 955-4332

