

NEW FOR
2019



NAVIGATION LIGHTS

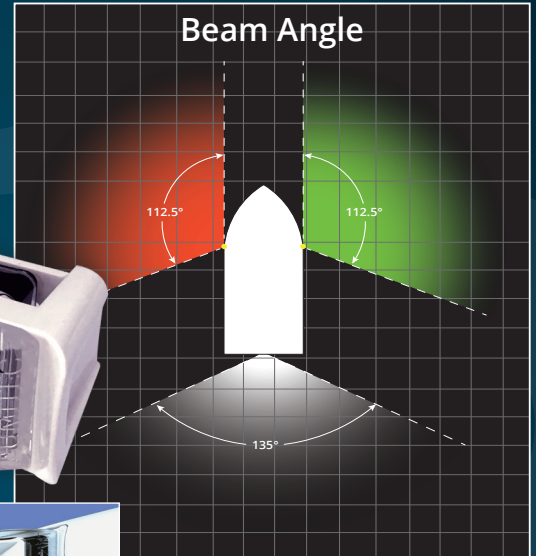
Contour Drop-in & Inset Navigation Lights

Contour's Drop-in series leverages a single, symmetrical universal pocket profile molded into the hardtop during manufacture. Mating draft angles and part radii have been carefully considered. Low profile, no exposed fasteners, and a clean, modern monochromatic design. Sold as Port, Starboard, or Stern.

Drop-in Mount
2.5"W X 1.17H X 1.5" D
Requires Custom Mold



Inset Mount
2.67"W X 1H X 1.32" D



LED Navigation Lights

Output: Stren White, Port Red, Starboard Green
Visibility: USCG2NM
Voltage: 10-30vDC
12vDC Amps: 18-26mA
24vDC Amps: 12-15mA
Conforms to: ABYC A16



USCG compliant: 0-50 meter vessels.

Contour Navigation/Docking Combination Light

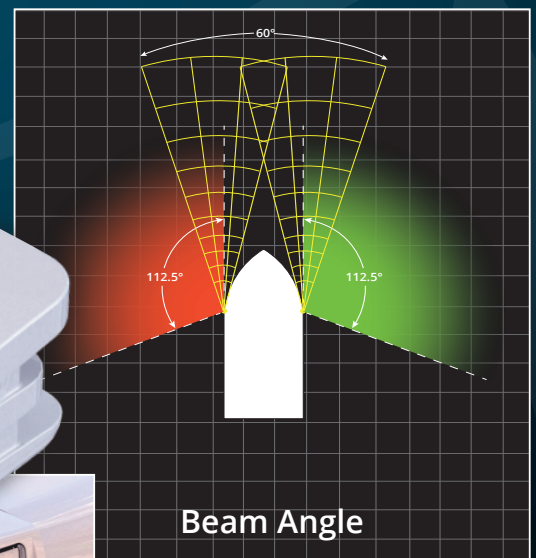
Innovation – plain and simple. Lumitec's engineers have combined a bright, sharp 1,000 lumen dock light with a U.S. Coast Guard approved 2nm navigation light. Easy to install, great looking, and all the reliability you've come to expect from Lumitec.

LED Navigation Docking Light

Output: Port Red, Starboard Green
Visibility: USCG2NM
Flood Lumens: 1000
Voltage: 10-30vDC
12vDC Amps: 1.3A (flood)
24vDC Amps: 600mA (flood)
Conforms to: ABYC A16



Drop-in Mount
4"W X 1H X 1.8" D
Requires Custom Mold



USCG compliant: 0-50 meter vessels.